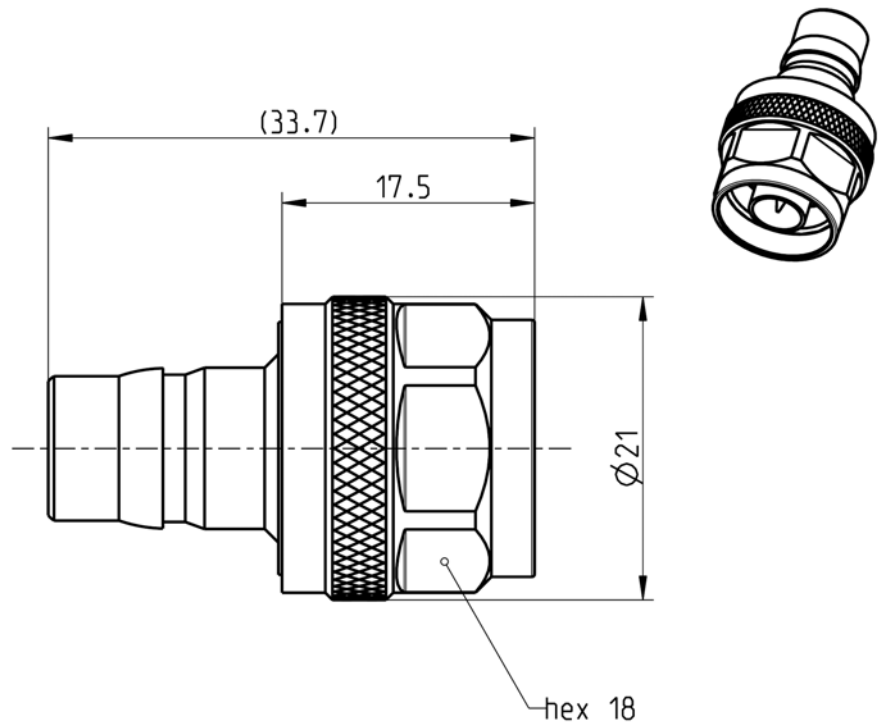


ADAPTOR  
QN JACK – N 50 Ω PLUG**153QK153-S00N5**

All dimensions are in mm; tolerances according to ISO 2768 m-H

**Interface**

QN according to  
N according to

153QK000-000, DCA-00067752  
IEC 60169-16, MIL-PRF-39012, CECC 22210

**Documents**

N/A

**Material and plating****Connector parts**

Center contact  
Outer contact  
Body  
Dielectric  
Gasket

**Material**

Spring bronze  
Brass  
Brass  
PTFE  
Silicone

**Plating**

AuroDur, gold plated  
White bronze(e.g. Optalloy®)  
Flash white bronze over silver(e.g. Optargen®)

**ADAPTOR  
QN JACK – N 50 Ω PLUG****153QK153-S00N5****Electrical data**

Impedance	50 Ω	
Frequency	DC to 11 GHz	
Return loss	≥ 30 dB, DC to 3 GHz	
	≥ 25 dB, 3 to 6 GHz	
Insertion loss	≤ 0.05 dB x $\sqrt{f}$ [GHz]	
Insulation resistance	≥ 5 x 10 <sup>3</sup> MΩ	
Center contact resistance	≤ 1.5 mΩ, QN side	≤ 1 mΩ, N side
Outer contact resistance	≤ 1.5 mΩ, QN side	≤ 0.25 mΩ, N side
Test voltage	2500 V rms	
Working voltage	1000 V rms	
RF-leakage	≤ -90 dB, 100 MHz to 3 GHz	
Power handling	300 W @2.5 GHz (typ.)	
Intermodulation (3 <sup>rd</sup> order)	≤ -112 dBm @ 2 x 20 W	

**Mechanical data**

	QN side	N side
Mating cycles	min. 100	min. 500
Center contact captivation axial	≥ 28 N	≥ 28 N
Engagement force	30 N (typ.)	N/A
Disengagement force	30 N (typ.)	N/A
Coupling test torque	N/A	max. 1.7 Nm
Recommended torque	N/A	0.7 Nm to 1.1 Nm

**Environmental data**

Temperature range	-40°C to +125°C
Thermal shock	MIL-STD-202, Meth. 107 D, Cond. B
Corrosion	MIL-STD-202, Meth. 101 D, Cond. B
Vibration	MIL-STD-202, Meth. 204 D, Cond. A
Shock	MIL-STD-202, Meth. 213, Cond. I
Moisture resistance	MIL-STD-202, Meth. 106 F
Degree of protection (mated pair)	IEC 60529, IP68 0.3 bar (interface only)
RoHS	compliant

**Tooling**

N/A

**Suitable cables**

N/A

**Weight**

Weight 28.3 g/pce

While the information has been carefully compiled to the best of our knowledge, nothing is intended as representation or warranty on our part and no statement herein shall be construed as recommendation to infringe existing patents. In the effort to improve our products, we reserve the right to make changes judged to be necessary.

Draft	Date	Approved	Date	Rev.	Engineering change number	Name	Date
A.Fellner	29/08/05	Sa. Krautenbacher	11.03.14	b00	14-0352	T. Krojer	11.03.14
Rosenberger Hochfrequenztechnik GmbH & Co. KG P.O.Box 1260 D-84526 Tittmoning Germany <a href="http://www.rosenberger.de">www.rosenberger.de</a>					Tel.: +49 8684 18-0 Fax: +49 8684 18-499 email: <a href="mailto:info@rosenberger.de">info@rosenberger.de</a>		Page 2 / 2