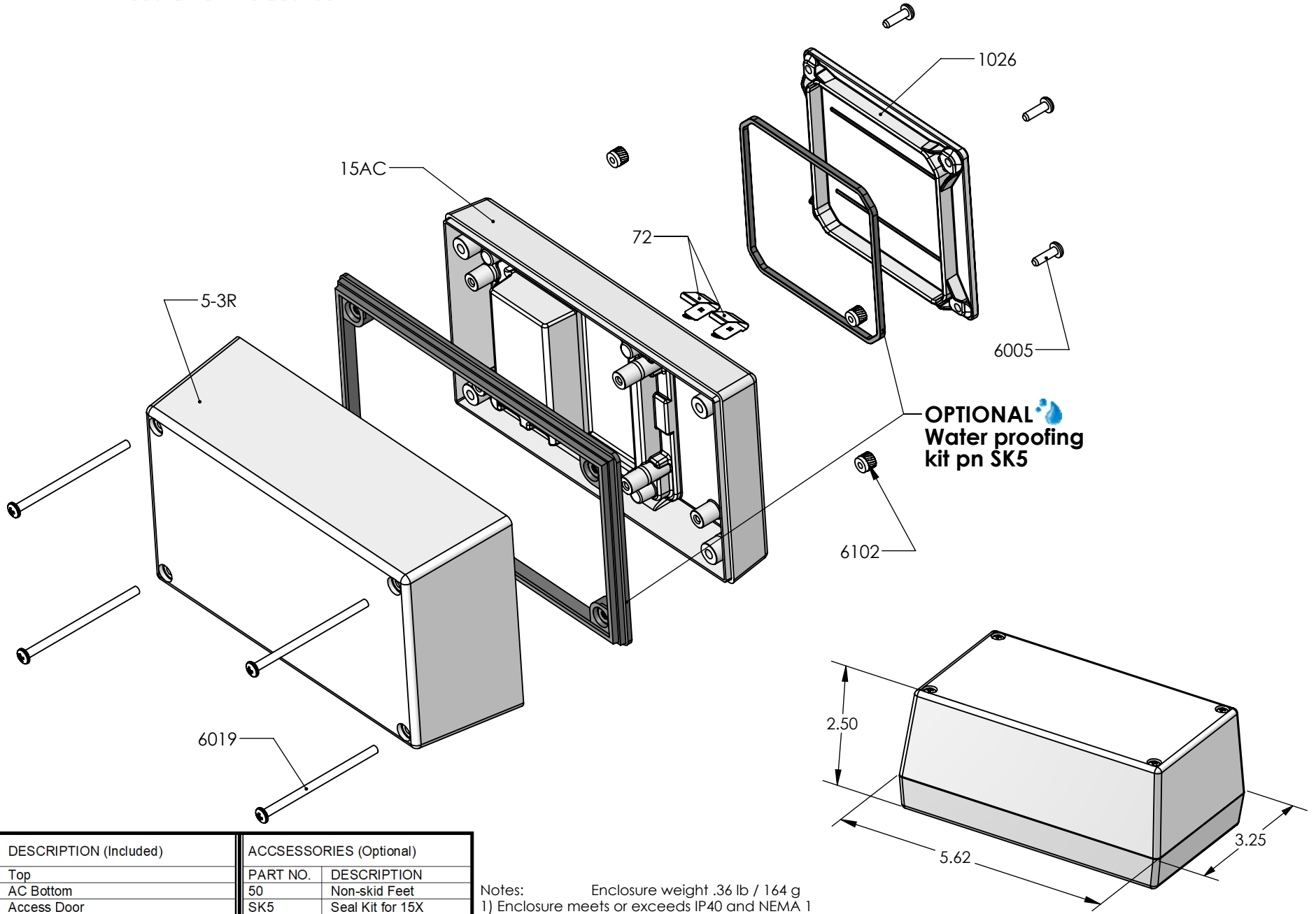


SERPAC 153RAC (exploded isometric)

Electronic Enclosures

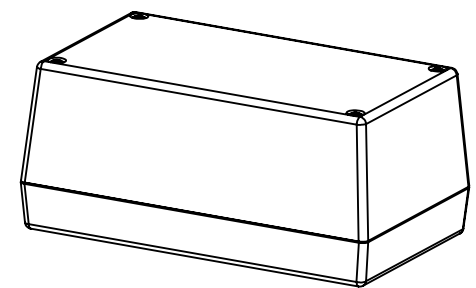
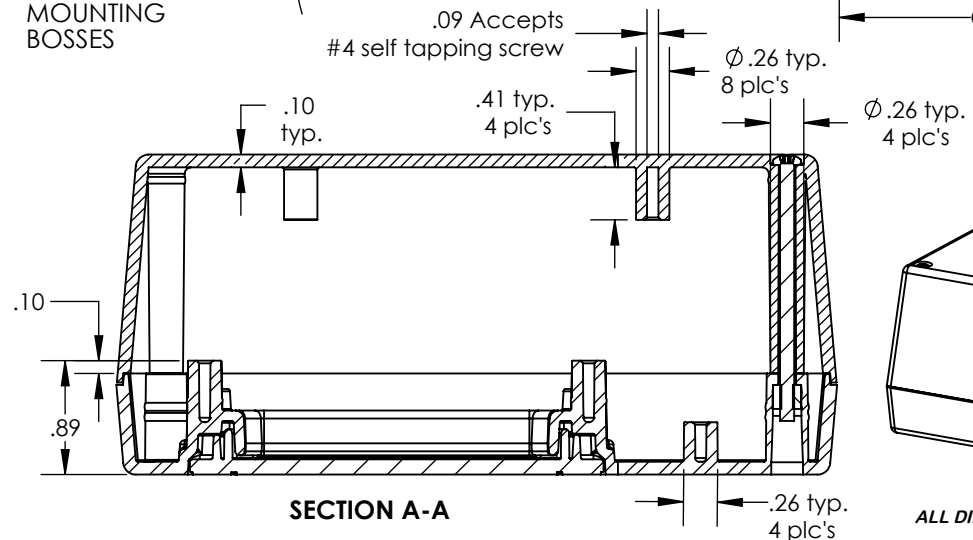
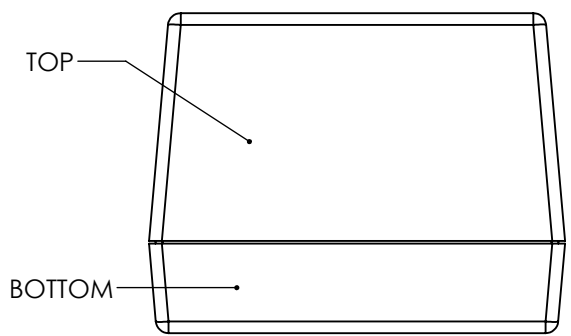
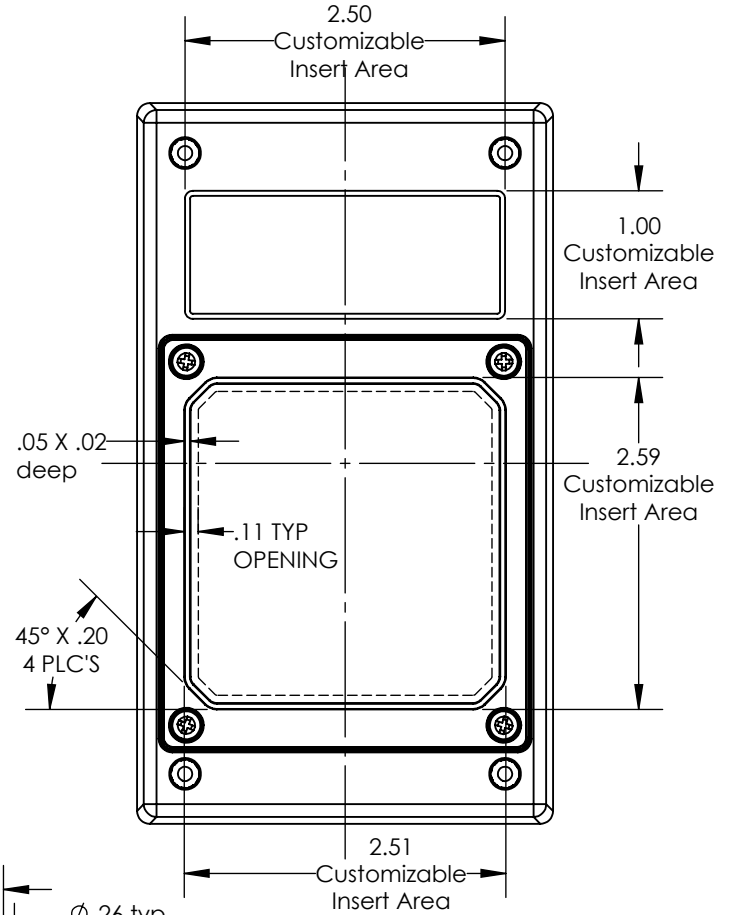
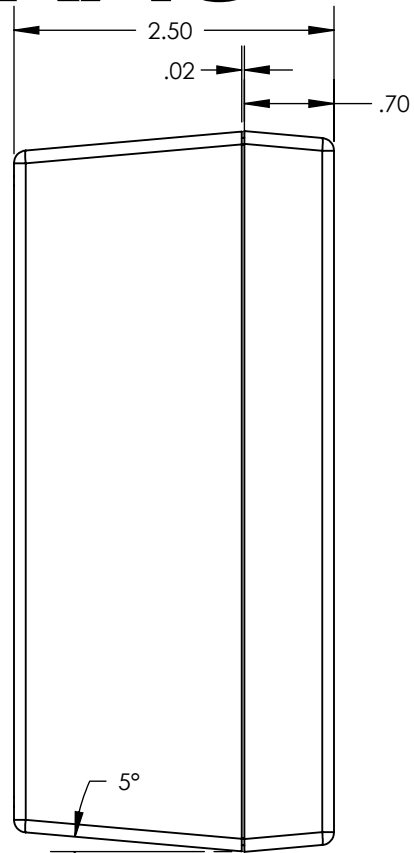
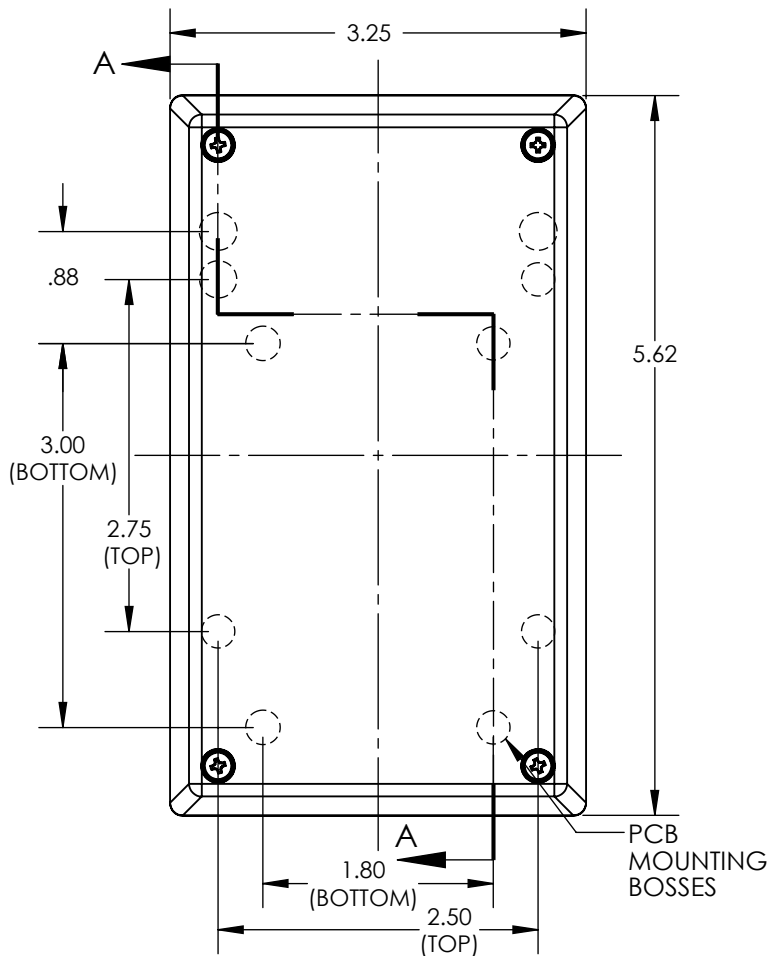


PART NO.	DESCRIPTION (Included)	PART NO.	DESCRIPTION
5-3R	Top	50	Non-skid Feet
15AC	AC Bottom	SK5	Seal Kit for 15X
1026	Access Door		
6005	#4X3/8" Self-Tapping Screw (4)		
6019	4-40 Screw (4)		
6102	4-40 Threaded Insert (4)		

Notes: Enclosure weight .36 lb / 164 g
 1) Enclosure meets or exceeds IP40 and NEMA 1
 2) When used with SK5 the enclosure meets or exceeds IP 67 and NEMA 4X, 12 and 13 MIL-STD-810G 506.5 (.02 lb / 11g)
 3) Circuit Board drawings see sheet 3.
 4) All components are RoHS Compliant.

SERPAC 153RAC

Electronic Enclosures



ALL DIMENSIONS ARE ±.010" 11/17/2021 (2 of 3)
 2009 Wright Ave. La Verne, CA 91750
 Ph. (626) 331-0517 Fx. (626) 331-8584 www.serpac.com