
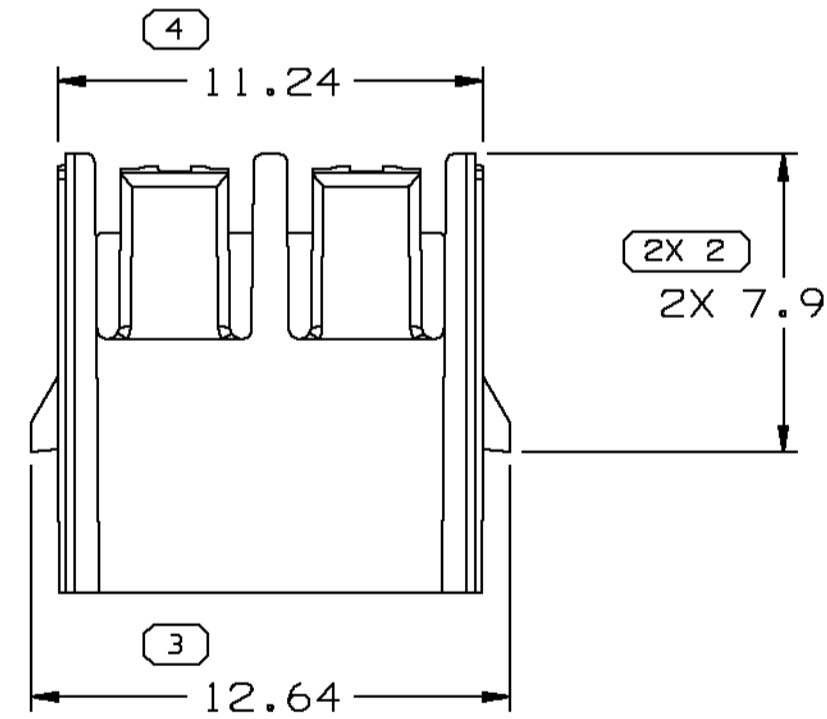
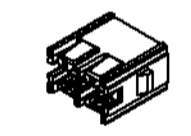
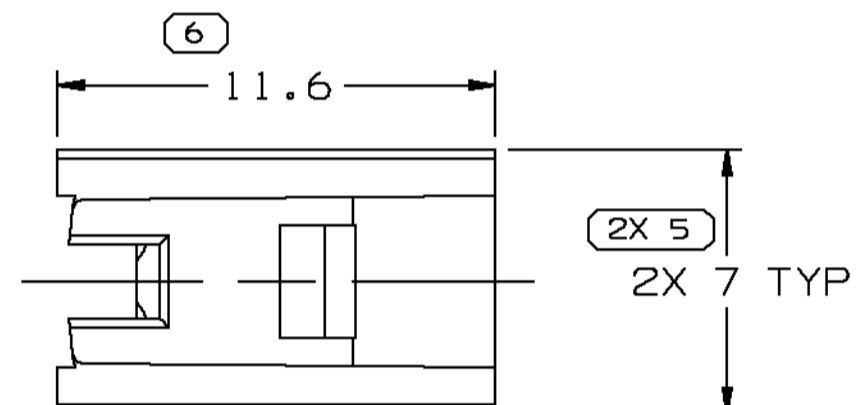
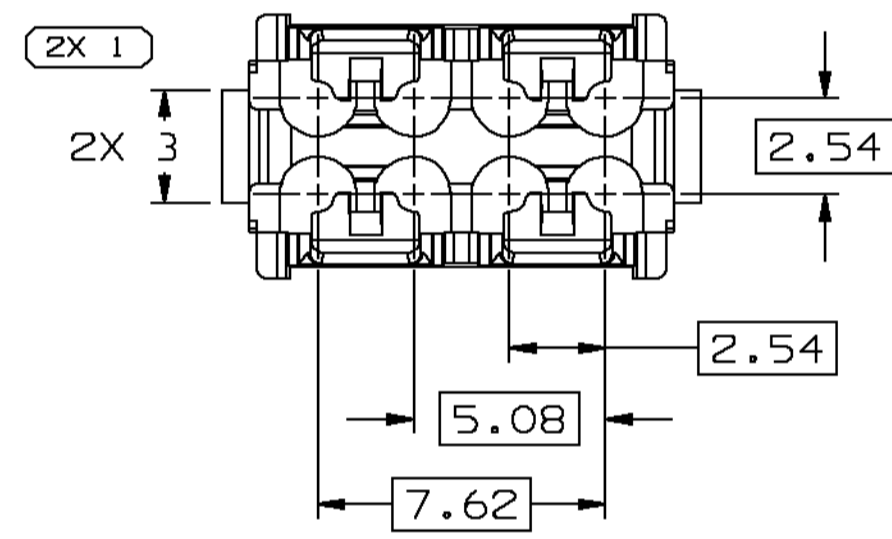
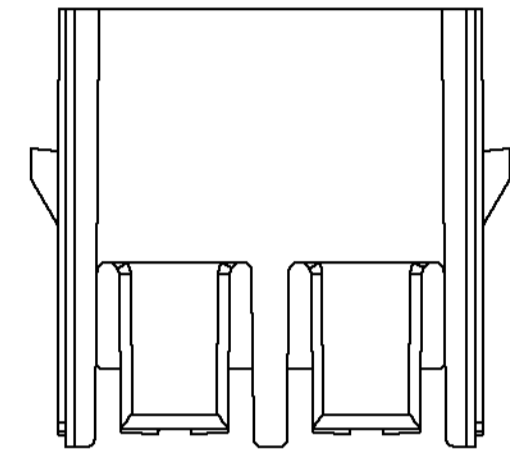
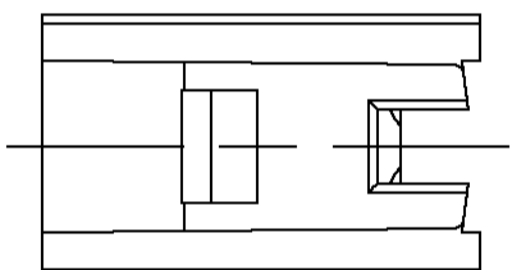



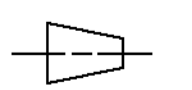
SYMBOL DEFINITION		
A DIMENSION WITHOUT AN INSPECTION REPORT SYMBOL  DOES NOT REQUIRE INSPECTION. IT MAY BE CONTROLLED ON THE INDIVIDUAL COMPONENT DRAWING.	TOTAL NO OF INSPECTIONS REQUIRED	9
	LAST NO. USED	6

MISSING SYMBOLS		DWG STATUS				ZONE	REVISION HISTORY			AUTH	DR	CK	APVD
DATE	STG	REV	CHG	N/P									
13SE01	R	001	-	-			WAS PE085736 AND RELEASED			212514	TSH	TSH	MJ



NOTES

- UNLESS OTHERWISE SPECIFIED AND/OR INDICATED: DIMENSIONS ARE TO FACE OF VIEW SHOWN AND AUTOMATICALLY ROUNDED BY COMPUTER FOR INSPECTION (SEE MATH MODEL FOR PRECISE DIMENSIONS). FOR ALL OTHER DIMENSIONS NOT SHOWN BUT REQUIRED FOR TOOL BUILD, SEE MATH MODEL FOR PRECISE TOOL PATH DATA.
- THIS PART USED IN ASSEMBLY TBD.
- MATING COMPONENTS OR EQUIVALENT: CONNECTOR 15404971
- THIS PART ACCEPTS THE FOLLOWING COMPONENTS OR EQUIVALENT: TERMINAL 15401440
MAX INSULATION CRIMP MUST BE LESS THAN 2 DIAMETER.
TERMINAL POSITION ASSURANCE LOCK 15404970
SEE DETAIL DRAWING FOR COMPATIBLE O.D. RANGE

DELPHI Automotive Systems			
MATERIAL SPEC PM002265-001 PBT GF15 - NAT			
SUBSTANCES OF CONCERN AND RECYCLED CONTENT PER DELPHI-A 10949001			
PART DRAWING			DISTR CODE D
CODE NUMBER 6900	DWG DATE 13SE01	SCALE 5:1	
QC SPEC	STYLE	VOLUME cm ³ 0.399	
PART GEOMETRY 3D SOLID	UNLESS OTHERWISE SPECIFIED: THIS DOCUMENT IS IN ACCORDANCE WITH ASME Y14.5M - 1994 AS AMENDED BY THE GM GLOBAL DIMENSIONING AND TOLERANCING ADDENDUM - 1997. ALL GEOMETRIC TOLERANCES AND RELATED DATUMS APPLY RFS. RULE #1 (PERFECT FORM AT MMC) DOES NOT APPLY WHEN RELATIONSHIP BETWEEN FEATURES IS ESTABLISHED BY ORIENTATION OR LOCATION TOLERANCES. SEPARATE POSITION CALLOUTS MAY BE GAGED SEPARATELY REGARDLESS OF DATUM REFERENCES.		
 CHANGE RESTRICTED NO MANUAL CHANGES	REFERENCE	DR	DATE
COPY OF MATH DATA DO NOT SCALE		R.L. FINK	10AP00
		APVD1 THOMAS HUDA	13SE01
		APVD2 THOMAS HUDA	13SE01
		APVD3 M. JADUE	21AU01
		APVD4	
	APVD5		
METRIC UNLESS OTHERWISE SPECIFIED, ALL DIMENSIONS ARE IN MILLIMETERS	DRAWING NAME INR CONN 8F MICRO 64		
THIRD ANGLE PROJECTION 			

FROM TO	DIMENSIONAL RANGE (MM)										CHART E1
	0-20	>20-30	>30-70	>70-100	>100-150	>150-200	>200-250	>250-300	>300-400	>400	
TOLERANCE UNLESS OTHERWISE SPECIFIED											
±0.15 ±0.2 ±0.3 ±0.4 ±0.5 ±0.6 ±0.8 ±1 ±1.2											
ANGULAR TOLERANCE ± 2°											

SHEET NUMBER 1 OF 1	DRAWING NUMBER 15404969	DWG STATUS STG REV N/P R 001 -	SIZE A1
------------------------	----------------------------	--------------------------------------	------------