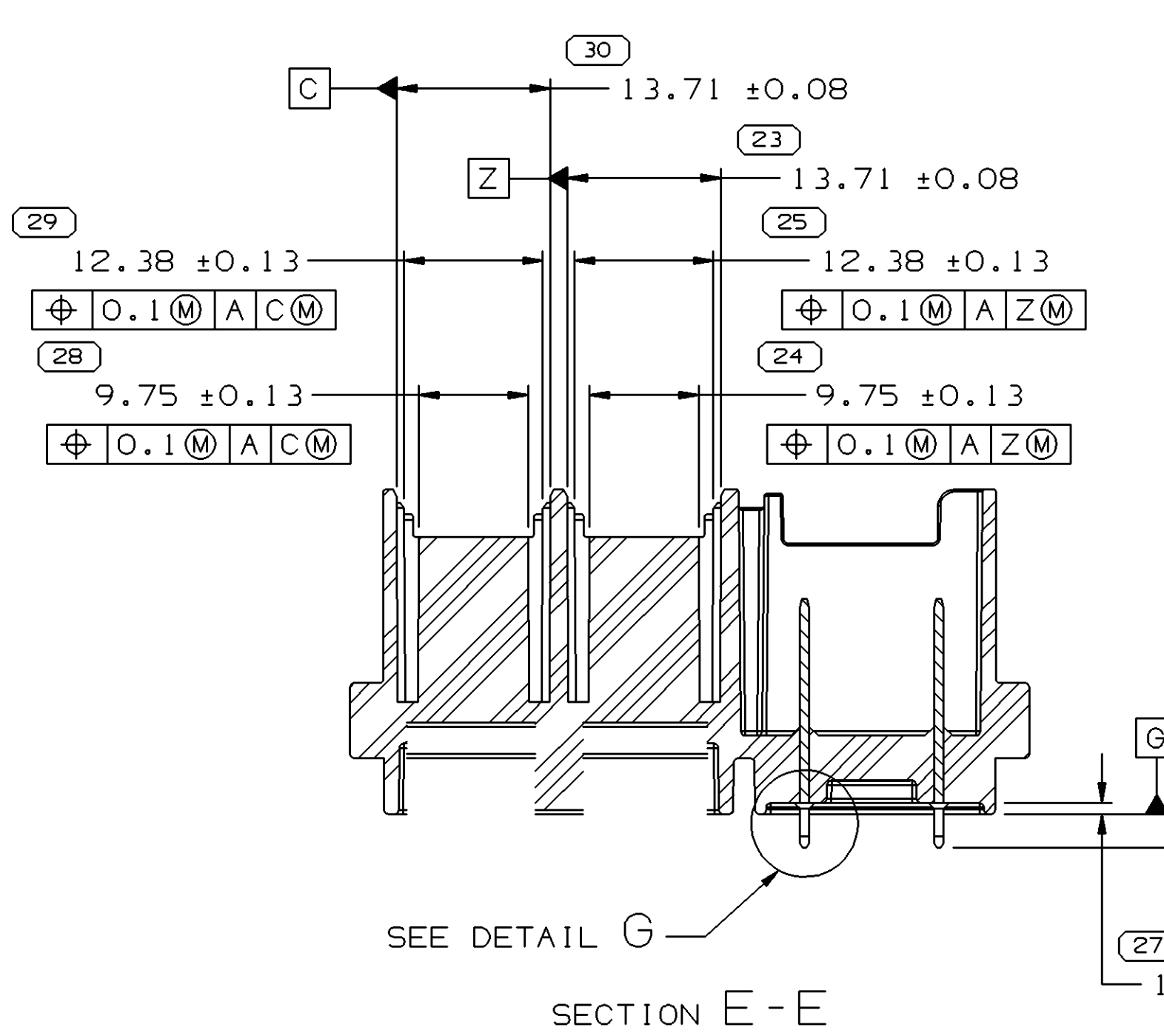
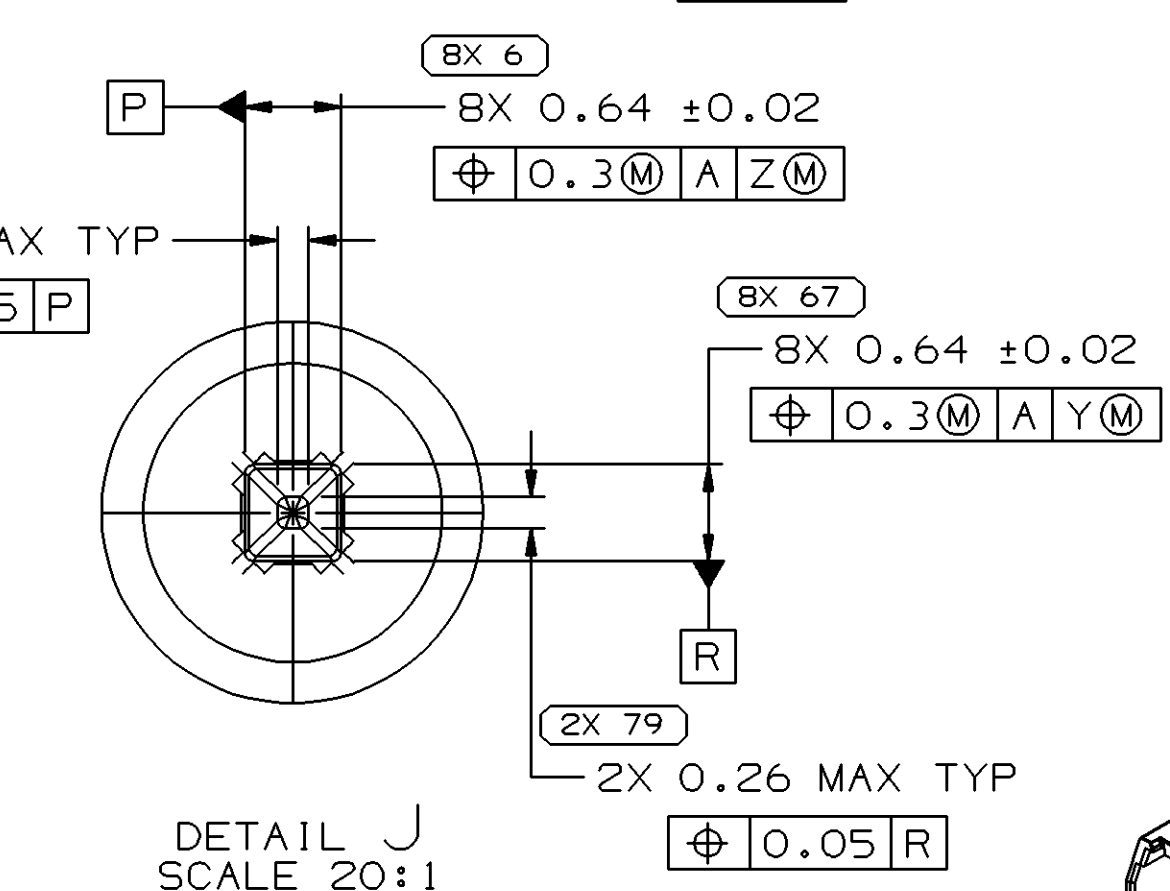
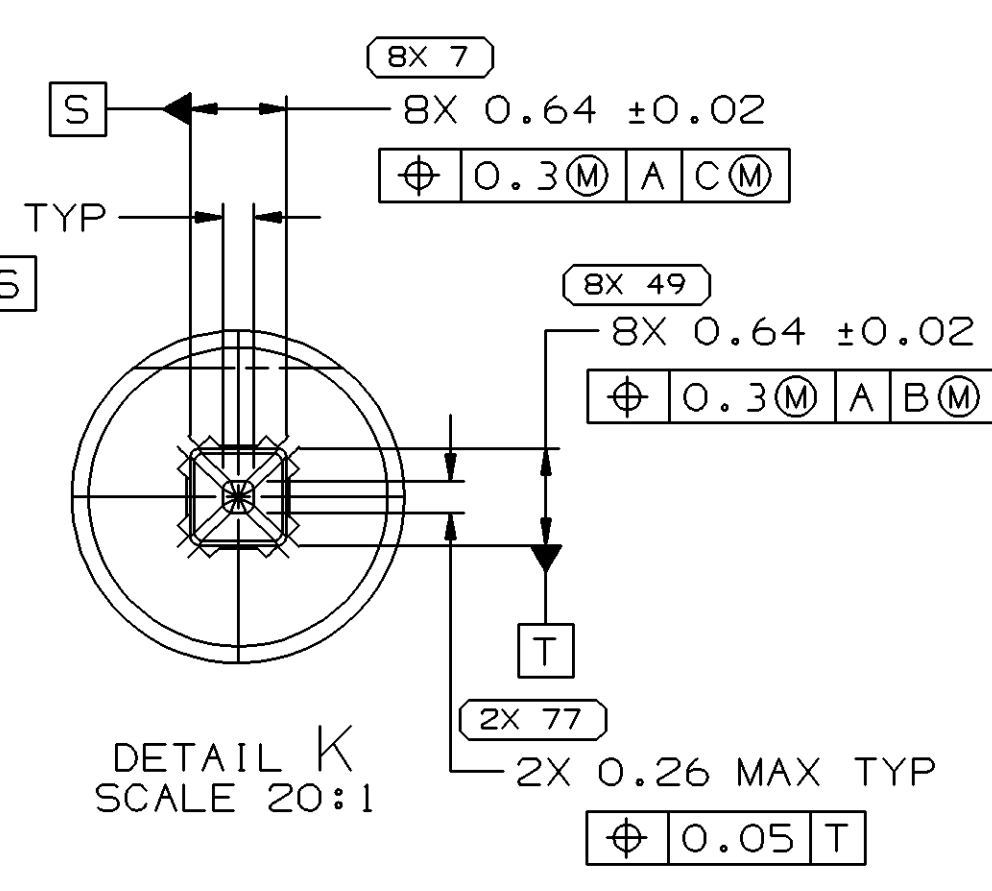
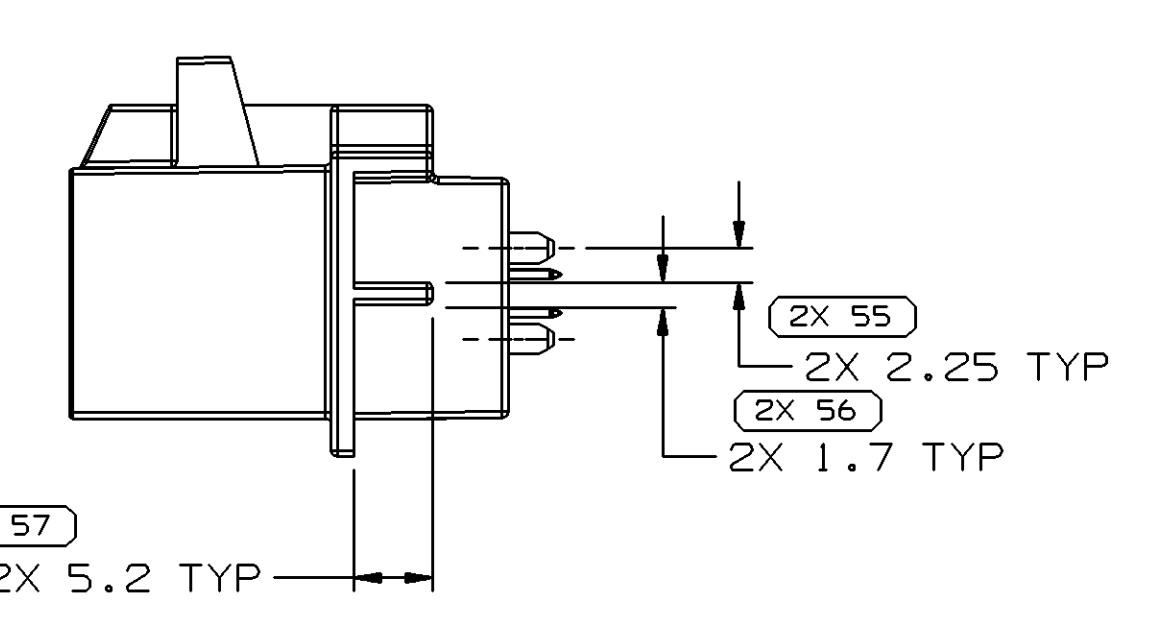
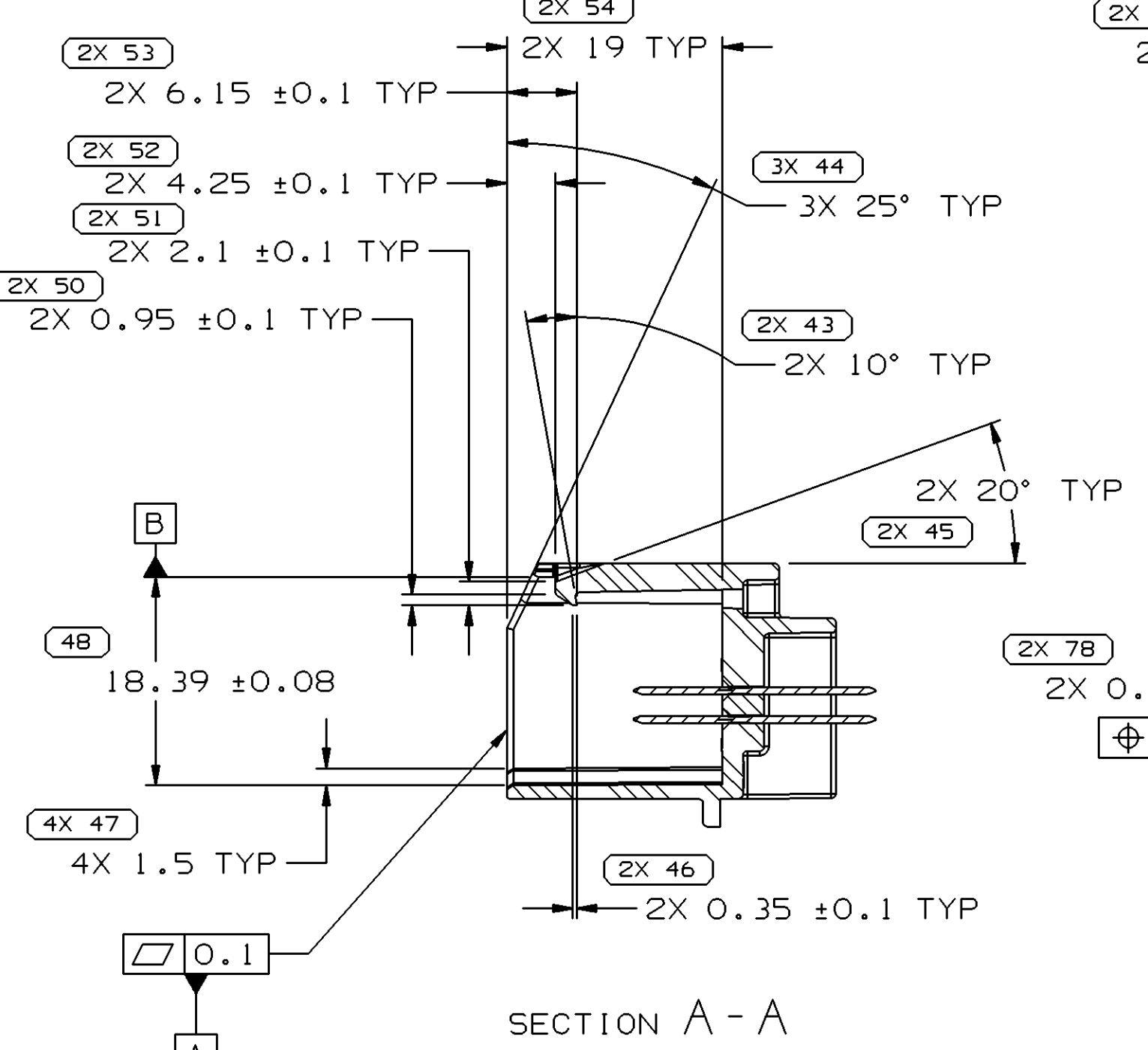
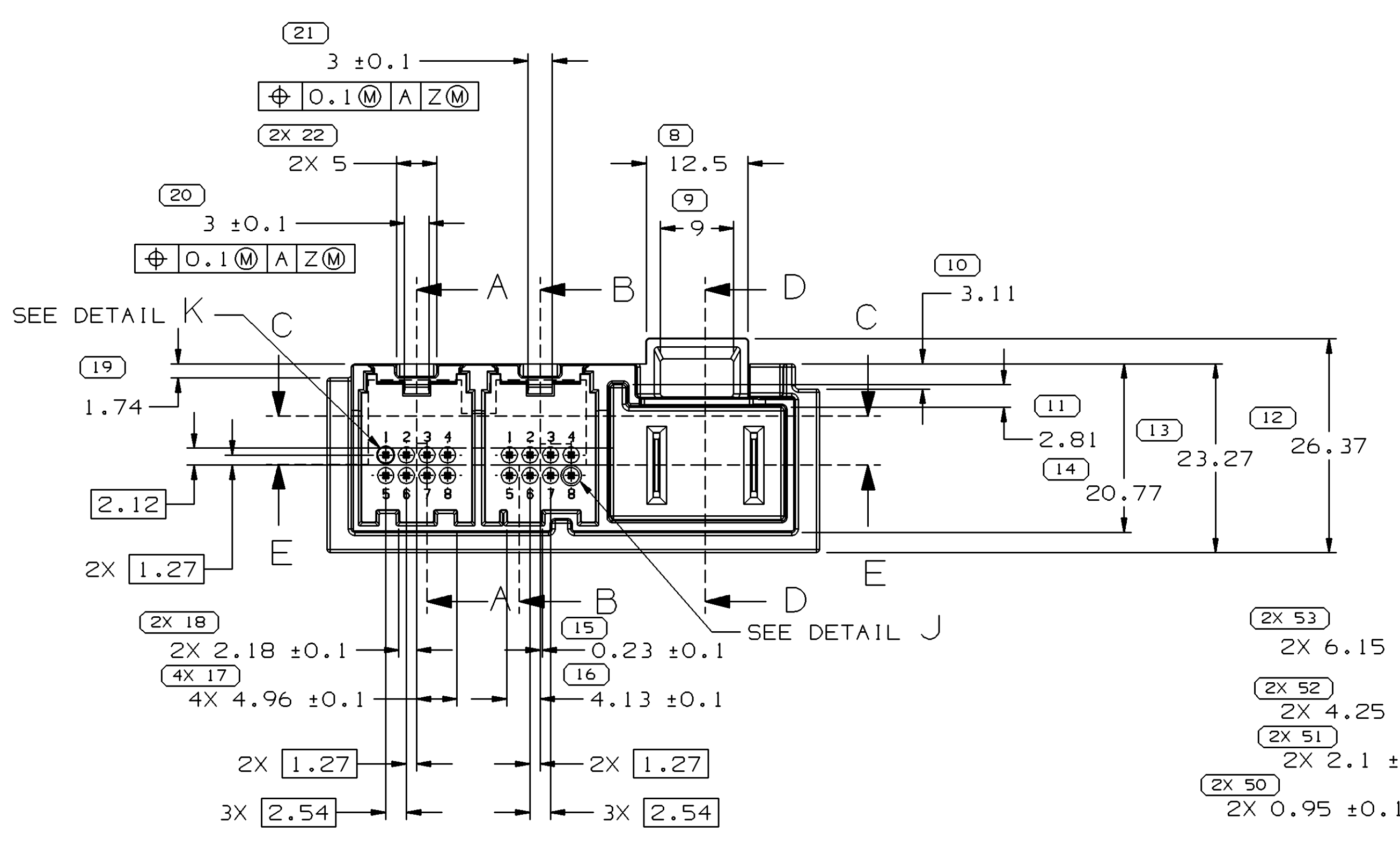
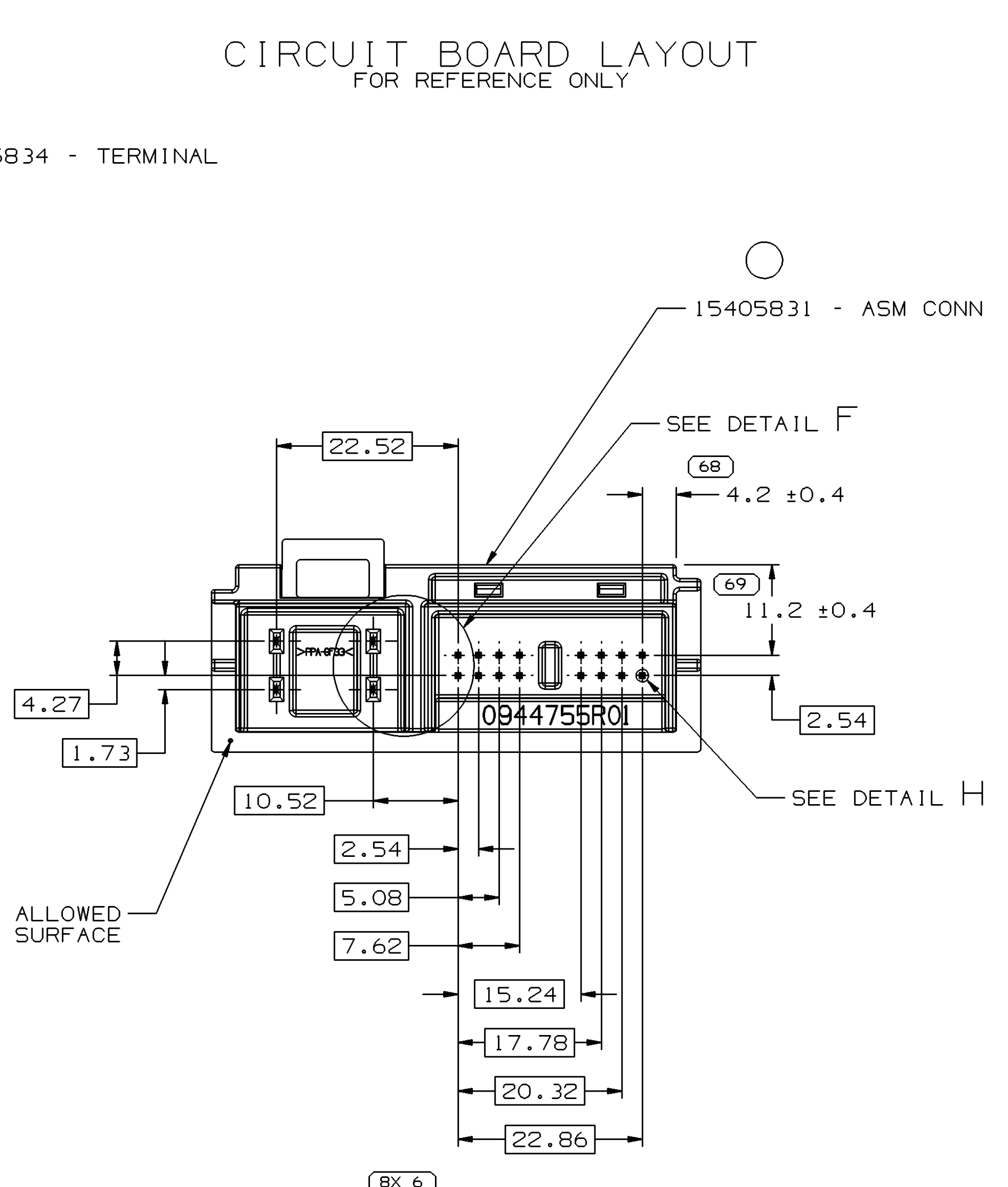
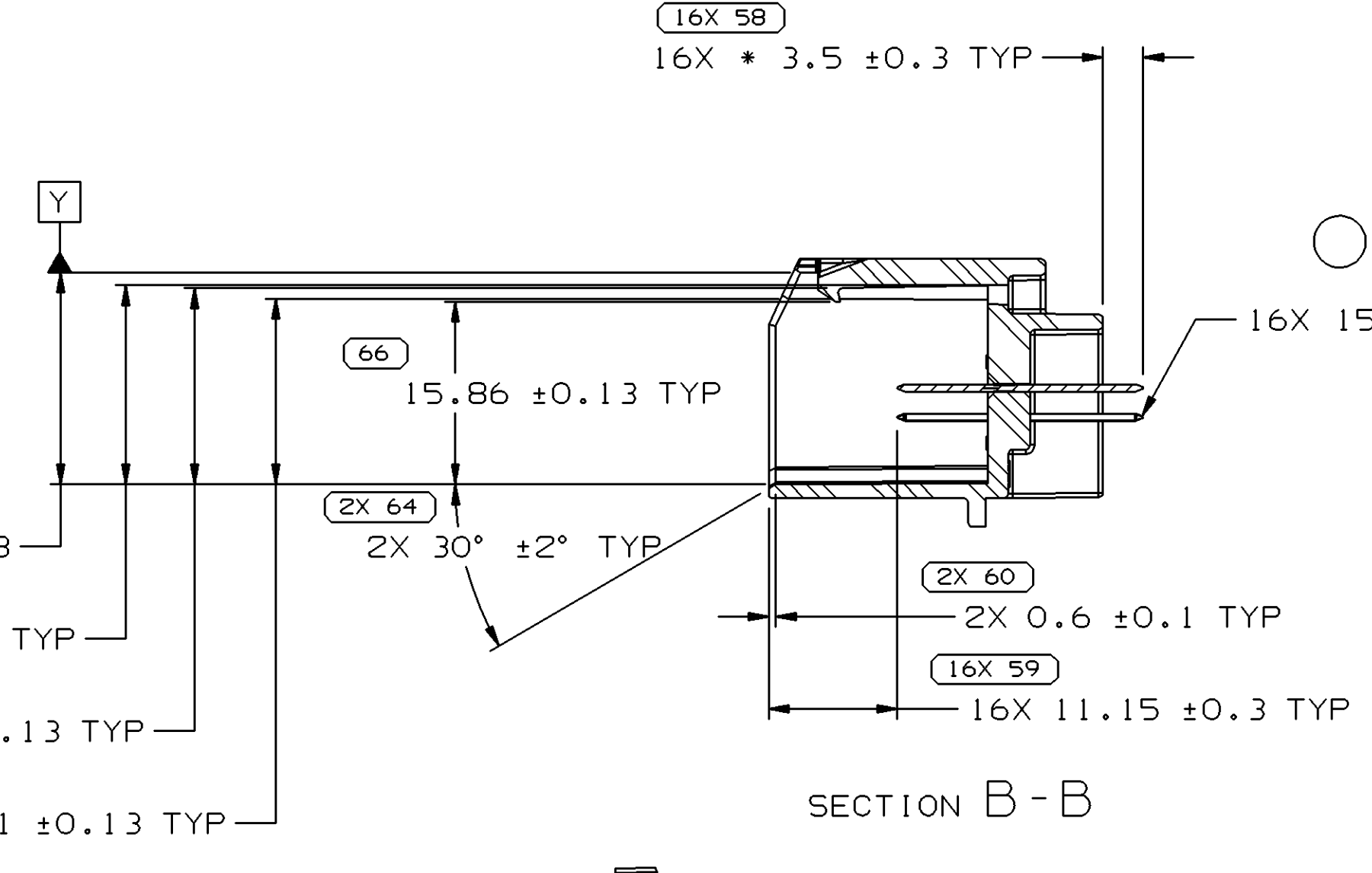
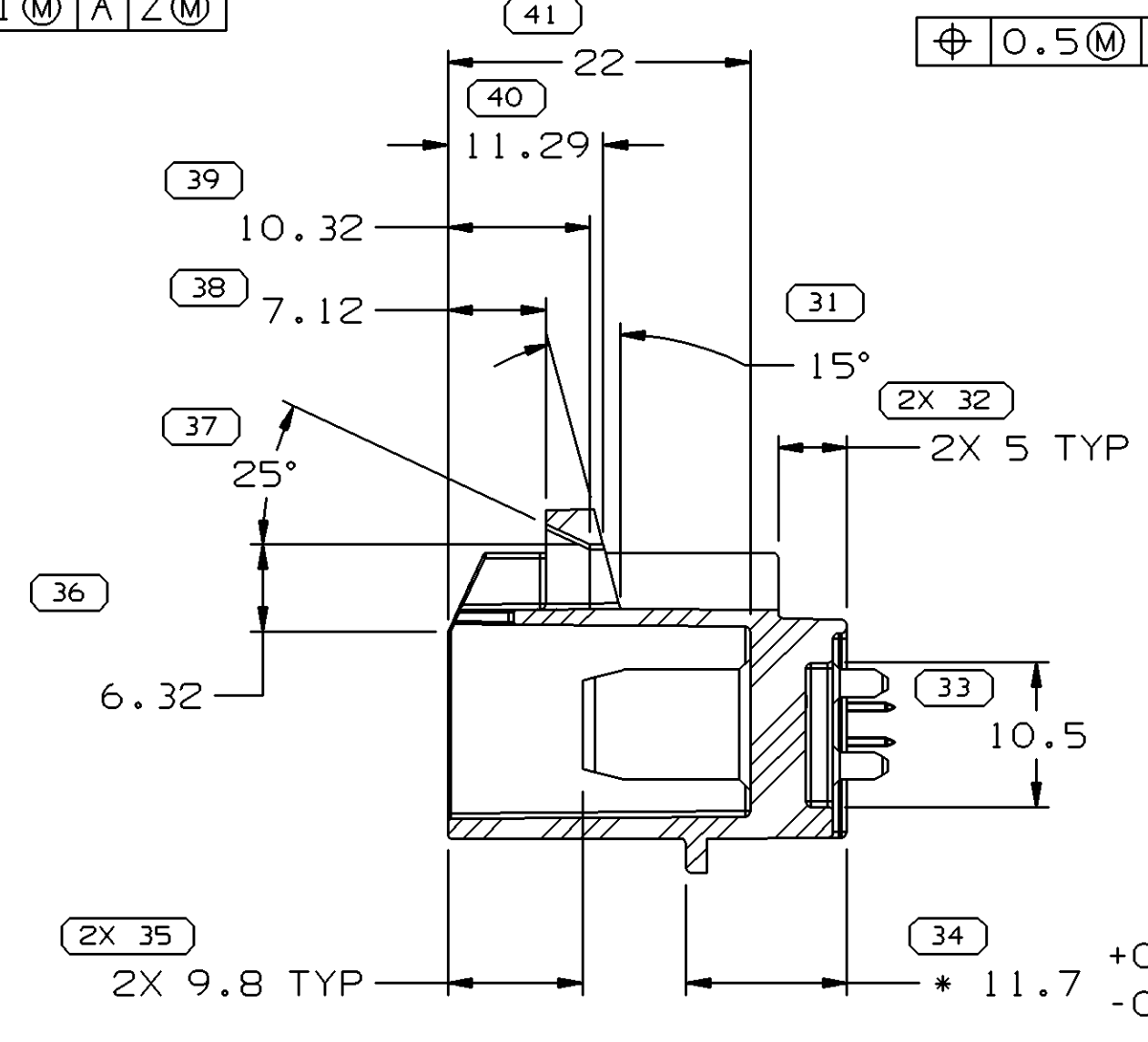
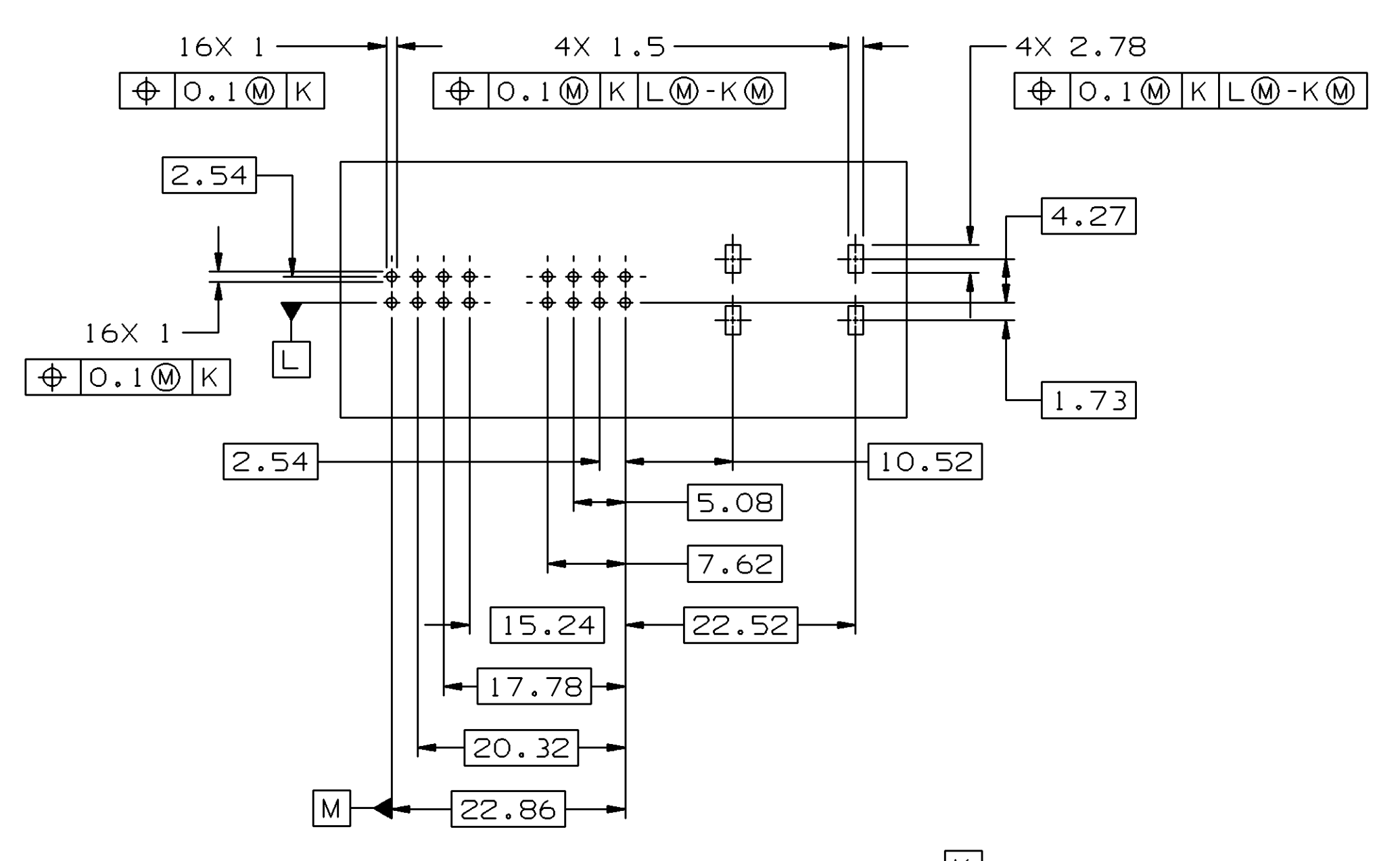
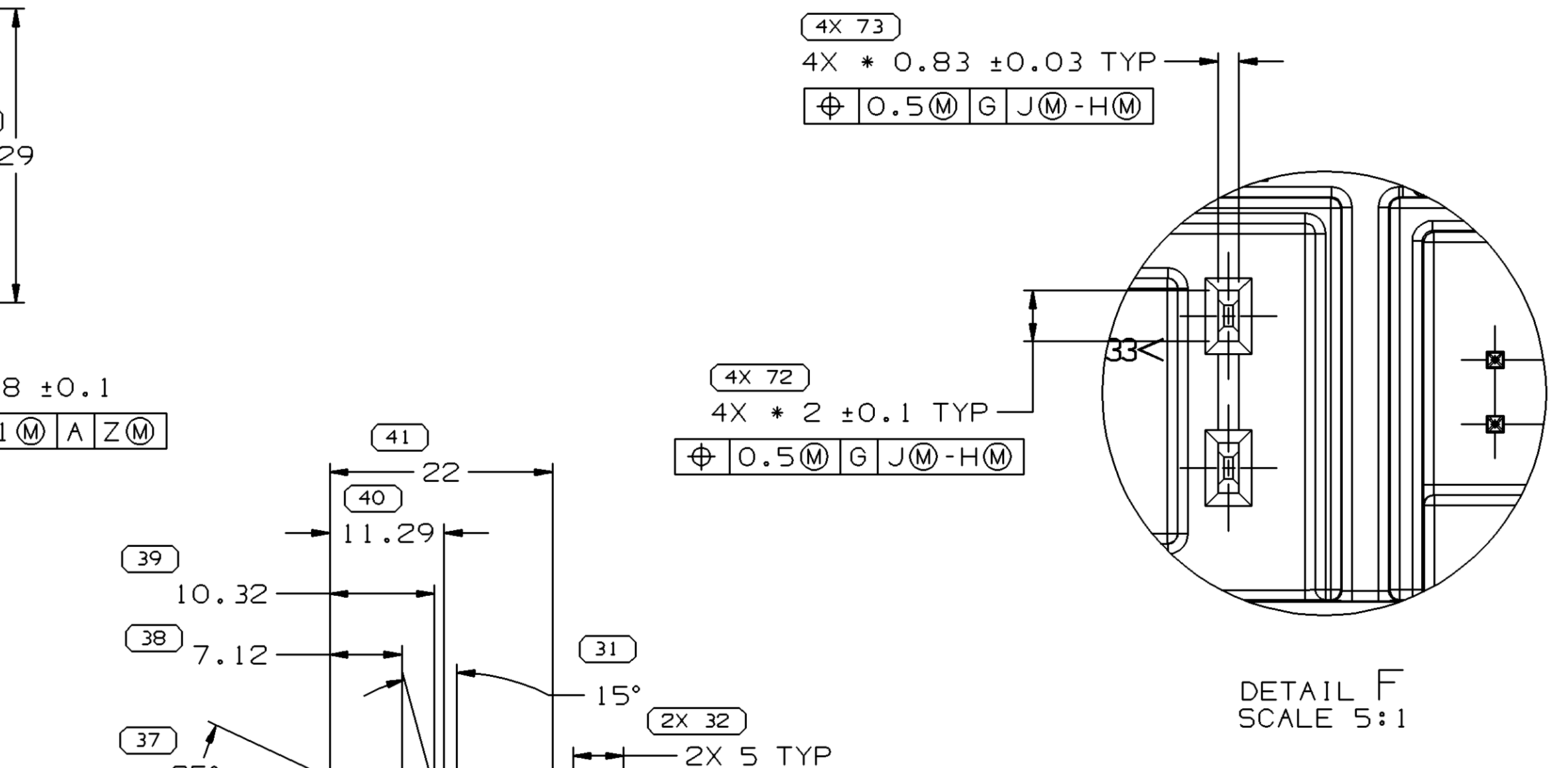
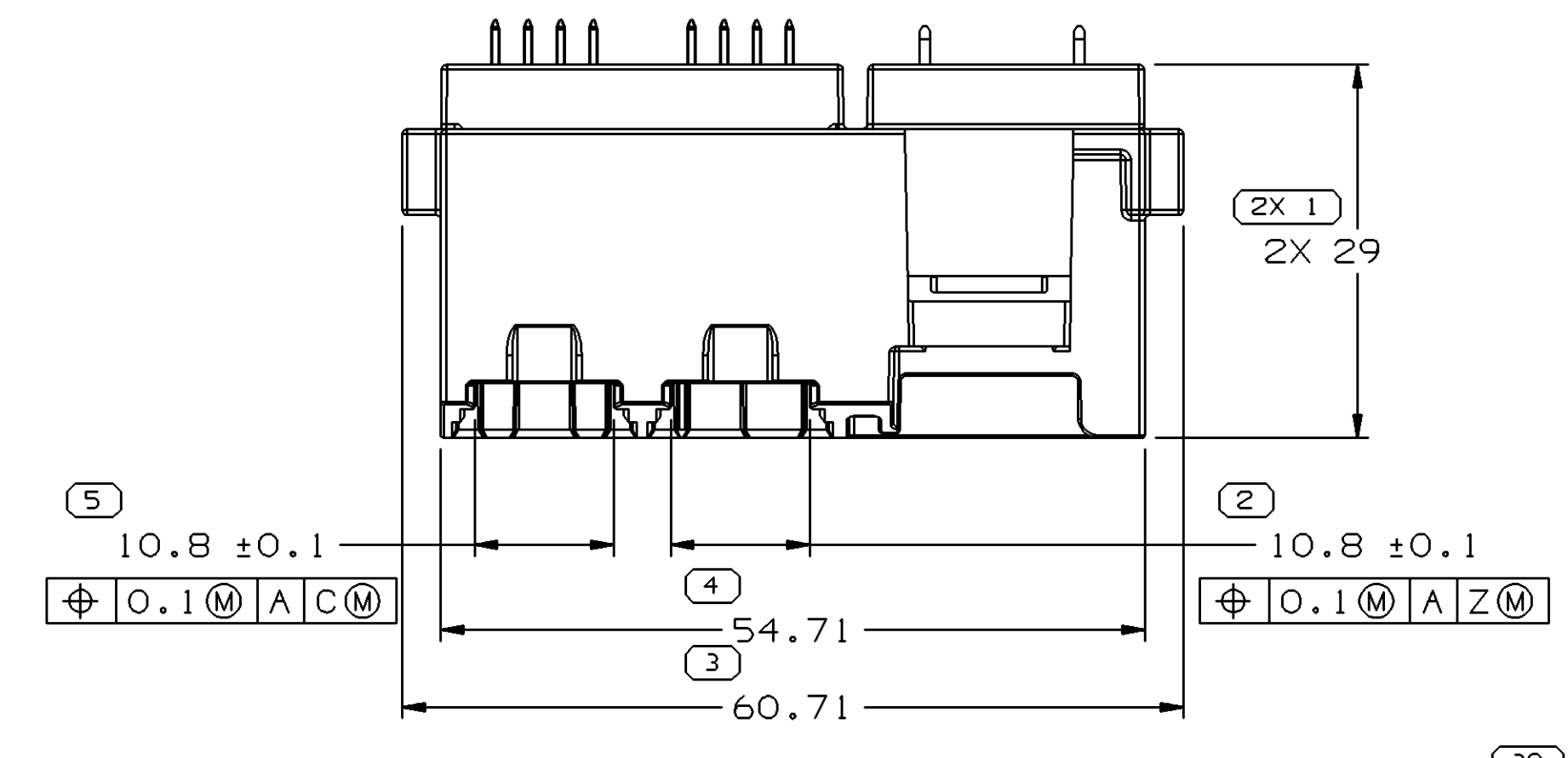
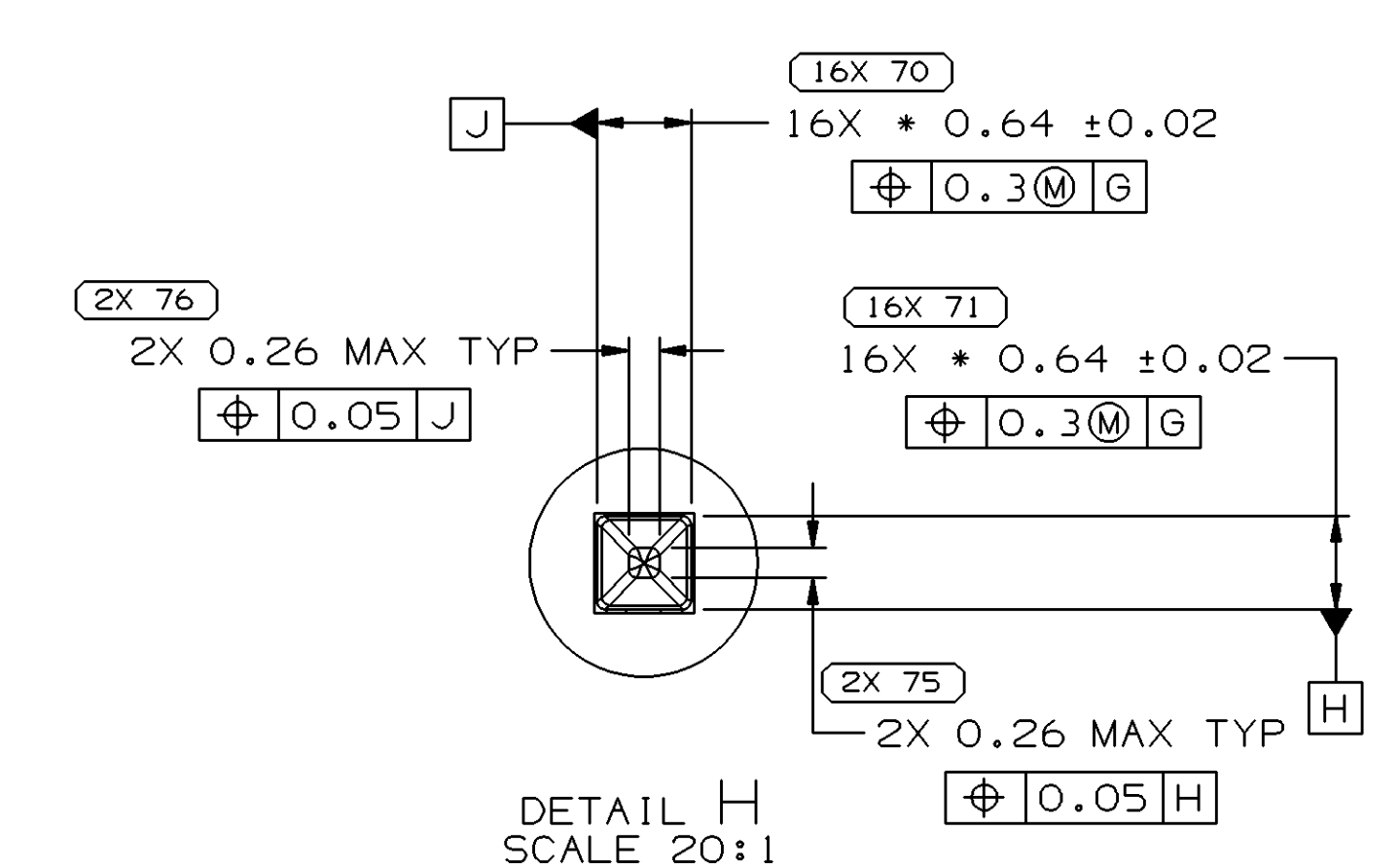


SYMBOL DEFINITION		TOTAL NO OF INSPECTIONS REQUIRED		MISSING SYMBOLS	
A DIMENSION WITHOUT AN INSPECTION REPORT SYMBOL DOES NOT REQUIRE INSPECTION. IT MAY BE CONTROLLED ON THE INDIVIDUAL COMPONENT DRAWING.		214		NO MISSING SYMBOL NUMBER	
		80		LAST NO. USED	

DWO STATUS						REVISION HISTORY				AUTH		APVD	
DATE	STG	REV	N/P	CHG	ZONE					DR	APVD	1	2
29AP02	R	06	-	-	-	CLEARED REVISION COLUMN, UPDATED DRAWING TO LATEST PRINT				224206	JPD	JPD	MJ
27AU02	R	07	-	-	-	ADDED WALL TO EACH SIDE OF PART				226784	CJP	CJP	MJ
14JUL03	R	07	AA	-	-	UPDATED PDM ATTRIBUTES				242543	HAM	HAM	MJ
13NOV03	R	07	AB	-	-	REDRAWN				248892	SHH	SHH	MJ
11MRO5	R	07	AC	-	-	ADDED COMPONENT PART NUMBERS				265464	MDH	JAA	MJ



FLATNESS ON DATUM A IS TO INDIVIDUAL 8-WAY CONNECTOR SHROUDS. MEASURE INDIVIDUALLY



- NOTES
- UNLESS OTHERWISE SPECIFIED AND/OR INDICATED: DIMENSIONS ARE TO FACE OF VIEW SHOWN AND AUTOMATICALLY ROUNDED BY COMPUTER FOR INSPECTION (SEE MATH MODEL FOR PRECISE DIMENSIONS). FOR ALL OTHER DIMENSIONS NOT SHOWN BUT REQUIRED FOR TOOL BUILD, SEE MATH MODEL FOR PRECISE TOOL PATH DATA.
  - MATERIAL RECYCLING CODE PER ISO 11469. (2,3)(X)(0,1) RAISED CHARACTERS AS SHOWN TO BE LOCATED ON ANY EXTERIOR SURFACE. OPTIONAL CONSTRUCTION TO BE NO MATERIAL RECYCLING CODE.
  - (2,3)(X)(0,1) RAISED DELPHI CORPORATE BRAND TO BE LOCATED ON ANY EXTERIOR SURFACE, PREFERABLY VISIBLE AT FINAL ASSEMBLY. OPTIONAL CONSTRUCTION TO BE "PED" OR NO LOGO.

(5B)	PROCESS SENSITIVE DIMENSION
(I)	DIMENSIONS ENCLOSED IN ( ) INDICATE RETROFIT DIMENSIONS AND NO TOLERANCE LIMITS ARE ESTABLISHED

DIMENSIONAL RANGE (MM)	TOLERANCE	CHART REF
FROM > 0	> 20	> 30
TO	30	100
	100	150
	150	200
	200	250
	250	300
	300	400
	400	

DWO TYPE	PART DRAWING
VOLUME (CWP)	MOTOROLA
UNLESS OTHERWISE SPECIFIED	
THIS DOCUMENT IS IN ACCORDANCE WITH ASME Y14.5M-1994 AS AMENDED BY THE 2003 ADDENDUM AND TOLERANCE ADDENDUM - 1997. ALL GEOMETRIC TOLERANCES AND RELATED DATUM APPLICABLE TO ALL DIMENSIONS UNLESS OTHERWISE SPECIFIED. DIMENSIONS ARE TO FACE UNLESS OTHERWISE SPECIFIED. DIMENSIONS ARE IN MILLIMETERS UNLESS OTHERWISE SPECIFIED.	
THIRD ANGLE PROJECTION	DO NOT SCALE
USE MATH DATA	UNSPRINTS

**DELPHI**  
DELPHI PACKARD ELECTRIC SYSTEMS  
WARREN, OH

DR	DATE
APVD1 M. CHRESTAY	125E01
APVD2 M. CHRESTAY	125E01
APVD3 M. JADUE	145E01
APVD4	

UNLESS OTHERWISE SPECIFIED  
SUBSTANCES OF CONCERN AND RECYCLED CONTENT PER DELPHI-A 10949001

MATERIAL SEC. DRAWING

DRAWING NAME: ASM CONN 18 M M/P 800  
MICRO 64 COUPLING

DRAWING NUMBER: 15405832

SIZE: A0  
SCALE: 2:1  
FRAME NO: 1  
SHEET NO: 1  
REV: 1  
N/P: R  
OC: AC