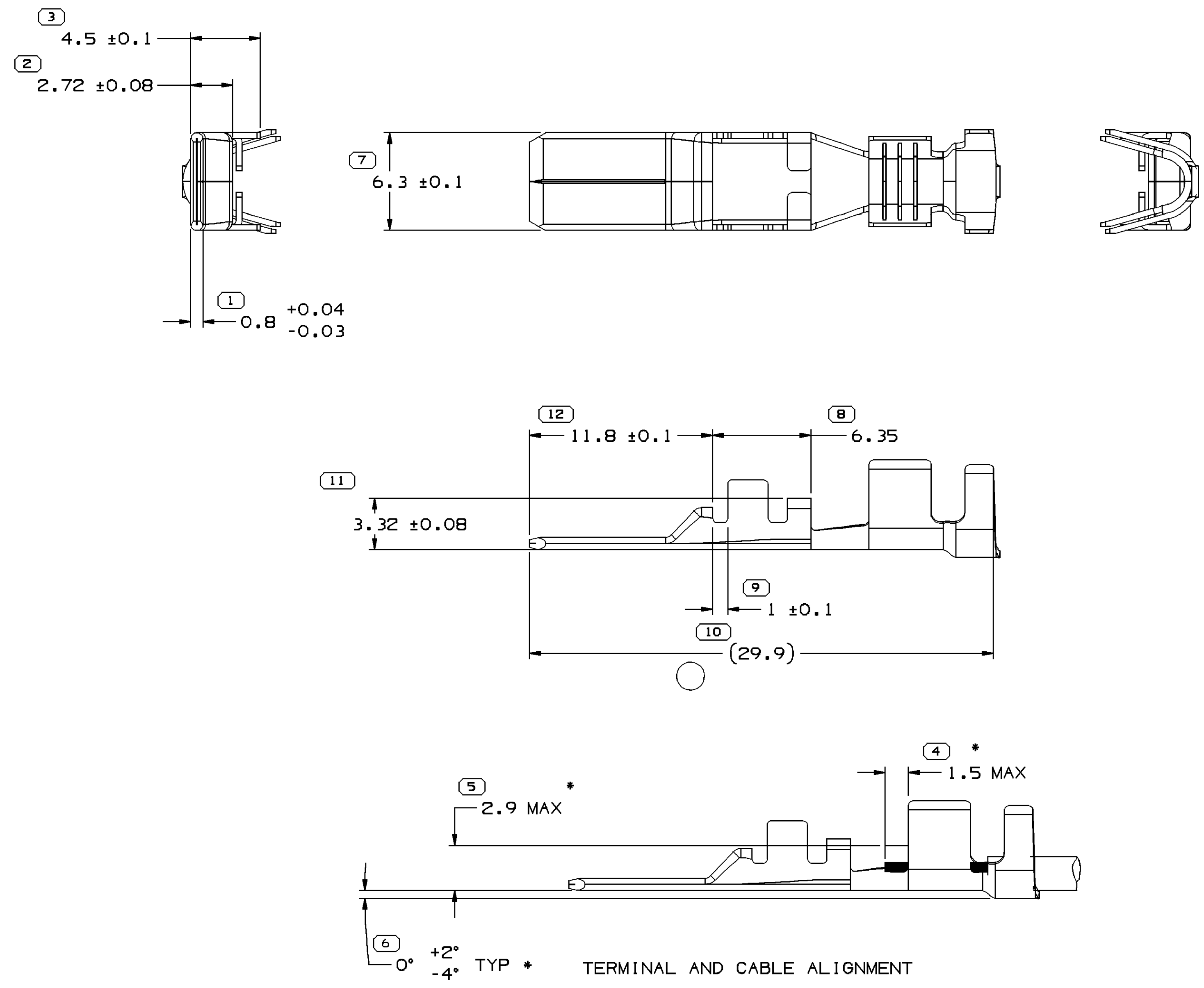


SYMBOL DEFINITION		MISSING SYMBOLS	
A DIMENSION WITHOUT AN INSPECTION REPORT SYMBOL ( ) DOES NOT REQUIRE INSPECTION. IT MAY BE CONTROLLED ON THE INDIVIDUAL COMPONENT DRAWING.	TOTAL NO OF INSPECTIONS REQUIRED	NO MISSING SYMBOL NUMBER	12
	LAST NO. USED		12

DWG STATUS				ZONE	REVISION HISTORY	AUTH	DR	APVD1	APVD2
DATE	STG	REV	N/P						
28MR01	R	01	-	-	15410292 WAS PEO66490:RELEASED 15410293 WAS PEO66489:RELEASED	207451	PG	PG	DM
24AU01	R	02	-	-	ALL PARTS: MATERIAL WAS PM003659 XXX; REVISED I.D. & DIA COLUMNS	213765	CJC	CJC	MDM
21N001	R	03	-	-	REVISED BLANK MODEL & REVISED TOLERANCES - 5PLCS	217633	CJC	CJC	MDM
14JA04	R	04	-	-	ALL PARTS - 0.8 +0.04/-0.03 WAS 0.8 ±0.03	250771	ADK	BRB	MDM
22AP04	R	05	-	-	UPDATED PDM ATTRIBUTES	254344	TLD	TLD	MDM
26FE05	R	06	-	-	13523046 - RELEASED	265039	HAM	HAM	WLM
26MY05	R	07	-	-	13523046 - UPDATED PDM ATTRIBUTES	268657	HAM	HAM	WLM
070C05	R	08	-	-	15410292-93 - UPDATED PDM ATTRIBUTES	273332	JBD	AUG	EJH
20DE05	R	09	-	-	ALL PARTS - UPDATED PDM ATTRIBUTES	275892	CCV	JVM	BDG
15AU06	R	10	-	-	ALL PARTS - (29.9) WAS 29.9	282735	TLD	TLD	MDM



- NOTES
- UNLESS OTHERWISE SPECIFIED AND/OR INDICATED:  
DIMENSIONS ARE TO FACE OF VIEW SHOWN AND AUTOMATICALLY ROUNDED BY COMPUTER FOR INSPECTION (SEE MATH MODEL FOR PRECISE DIMENSIONS). FOR ALL OTHER DIMENSIONS NOT SHOWN BUT REQUIRED FOR TOOL BUILD, SEE MATH MODEL FOR PRECISE TOOL PATH DATA.
  - REFERENCE MATING COMPONENTS OR EQUIVALENT:  
TERMINAL 15344768
  - \* DENOTES DIMENSIONS MADE AT CUT-OFF CRIMP AND DIE

PART NO	REV	N/P	STATUS	MAT'L SPEC	SIZE (MM <sup>2</sup> )	ID	DIA
13523046	01	AC		M4492B00	0.75 - 1.00	17	2.25 - 1.70
15410293	03	AE		M4492B00	1.50 - 3.00	13	3.20 - 2.50
15410292	03	AE		M4492B00	4.00 - 6.00	10	4.30 - 3.40

CABLE

(10) PROCESS SENSITIVE DIMENSION	
DIMENSIONS ENCLOSED IN ( ) INDICATE REFERENCE DIMENSIONS AND NO TOLERANCE LIMITS ARE ESTABLISHED	
DIMENSIONAL RANGE (MM)	CHART D
FROM 0	> 12
TO 12	
TOLERANCE UNLESS OTHERWISE SPECIFIED	
±0.1	±0.2
ANGULAR TOLERANCE ±2°	

DWG TYPE PART DRAWING	
STYLE	
VOLUME (C/P)	DISTR CODE
	D
UNLESS OTHERWISE SPECIFIED THIS DOCUMENT IS IN ACCORDANCE WITH ASME Y14.5M-1994 AS AMENDED BY THE 01 GLOBAL DIMENSIONING AND TOLERANCING ADDENDUM-2001. SEPARATE PATTERNS OF FEATURES MAY BE GAGED SEPARATELY REGARDLESS OF DATUM REFERENCES.	
ALL DIMENSIONS ARE IN MILLIMETERS	
THIRD ANGLE PROJECTION	DO NOT SCALE
USE MATH DATA	UNIGRAPHICS

**DELPHI**  
DELPHI PACKARD ELECTRIC SYSTEMS  
WARREN, OH

DR	DATE
APVD1 P.GRIEHS	28MR01
APVD2 P.GRIEHS	28MR01
APVD3 D.MCEOWEN	28MR01
APVD4	
APVD5	

SUBSTANCES OF CONCERN AND RECYCLED CONTENT PER DELPHI 10949001

MATERIAL SEE CHART

DRAWING NAME  
TAXI TERM M 0T 630

DRAWING NUMBER  
15410294

SIZE	SCALE	FRAME NO	SHEET NO	STG	REV	N/P
A1	5:1	1 OF 1	1 OF 1	R	10	-