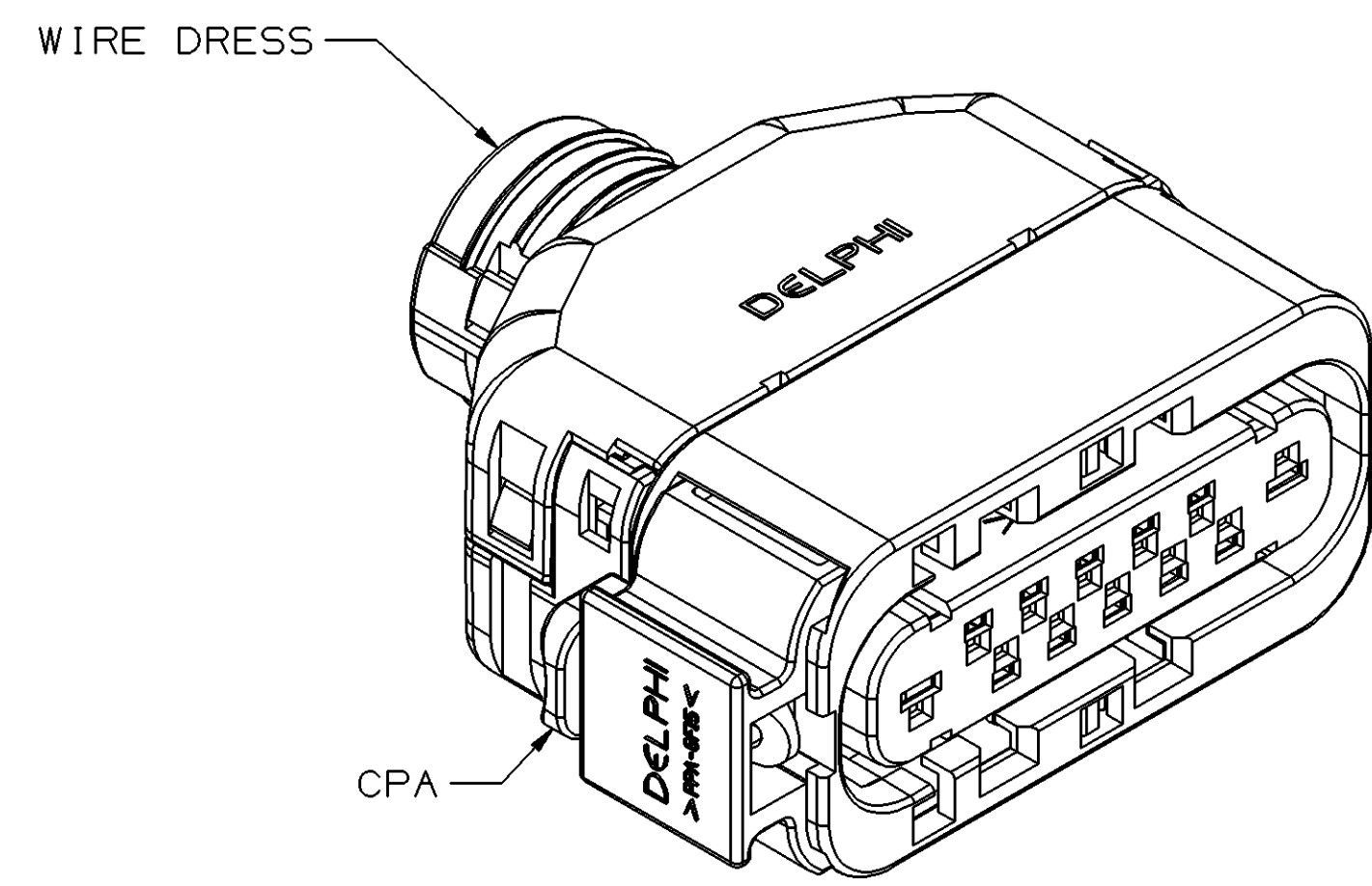


SYMBOL DEFINITION

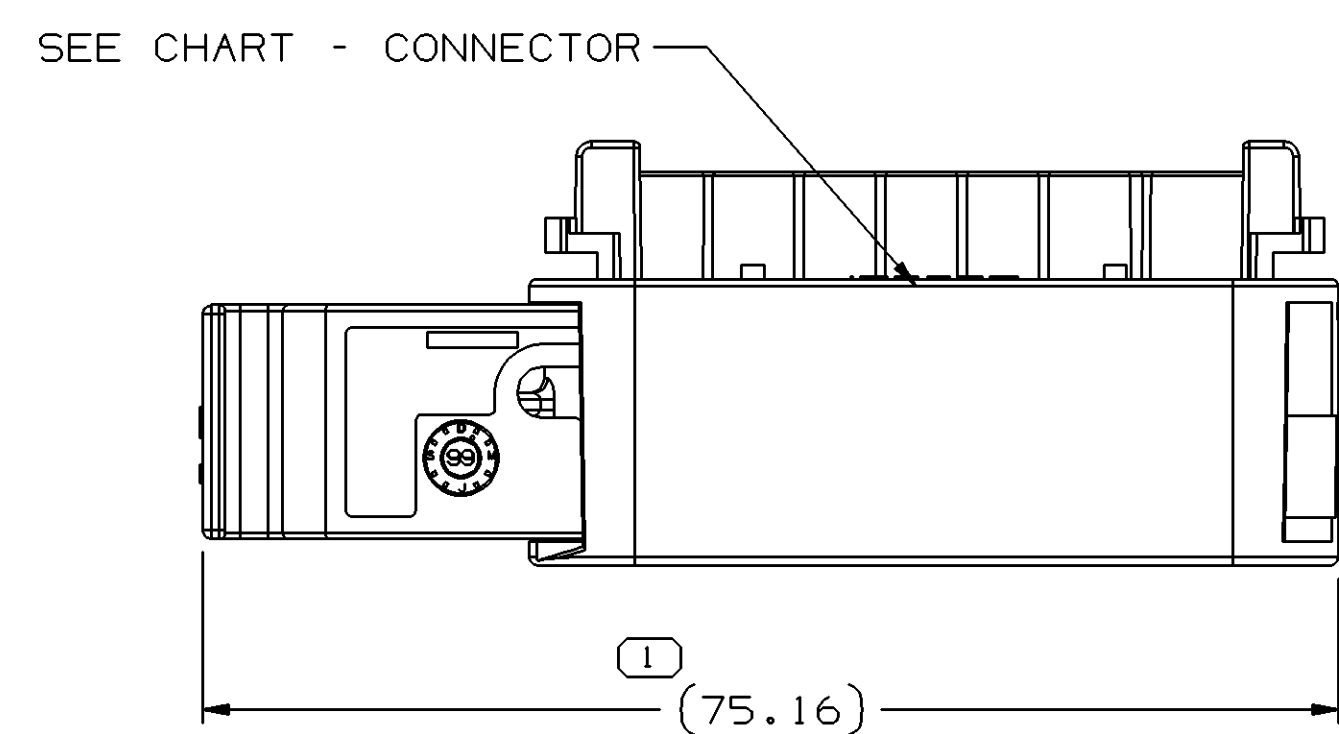
A DIMENSION WITHOUT AN INSPECTION REPORT SYMBOL DOES NOT REQUIRE INSPECTION. IT MAY BE CONTROLLED ON THE INDIVIDUAL COMPONENT DRAWING.	TOTAL NO OF INSPECTIONS REQUIRED	1
	LAST NO. USED	1

MISSING SYMBOLS

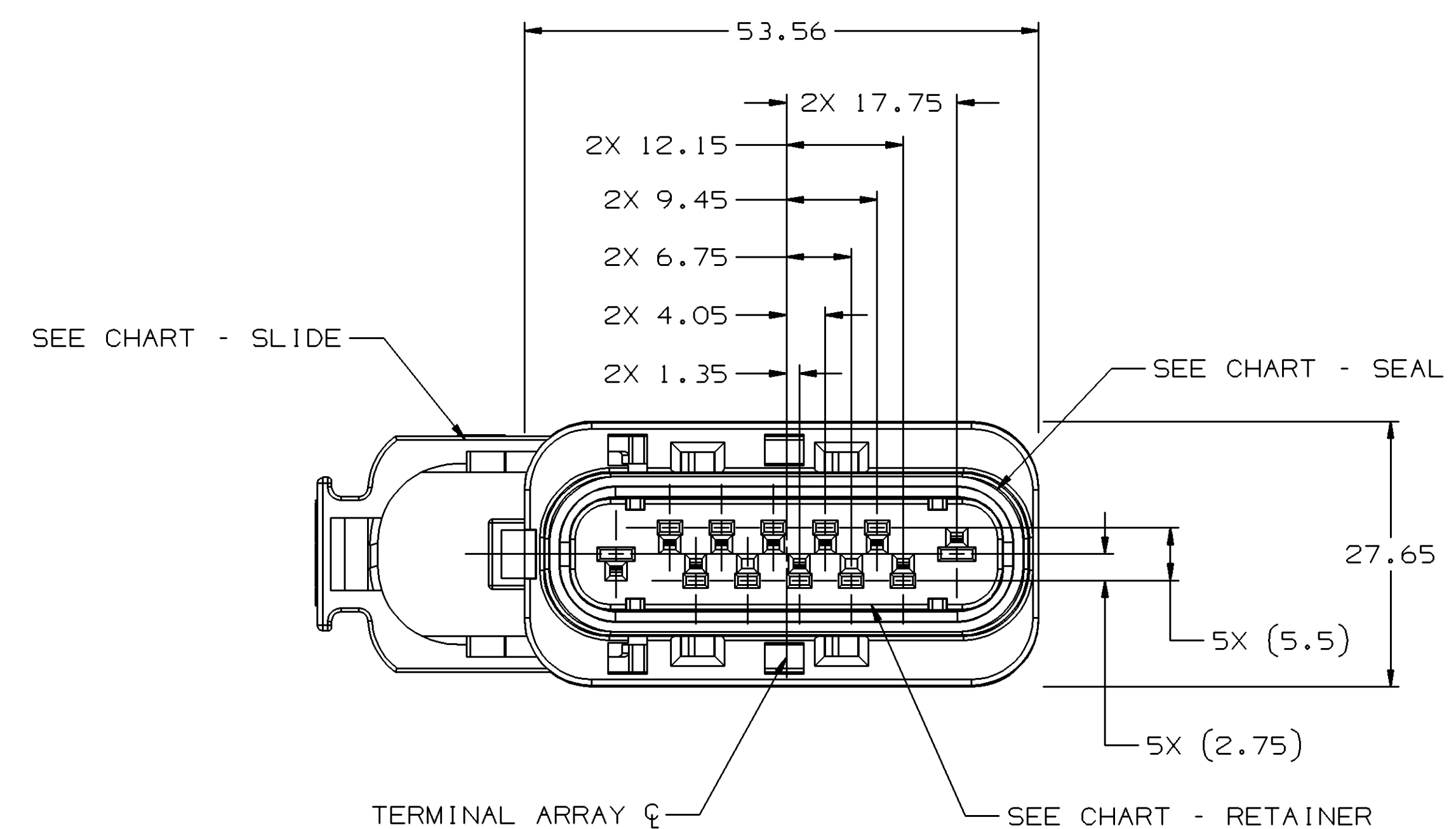
DATE	STG	REV	N/P	CHG	ZONE	REVISION HISTORY	AUTH	DR	APVD
09JL99	R	001	-	-	-	15366680 - WAS PE071563 AND RELEASED	990005	JAA	FKV
130C99	R	002	-	-	-	REVISED GRAPHICS	196756	CRW	JVM
22N000	R	003	-	-	-	ALL PARTS - (75.16) WAS 75.16, 5X (5.5) WAS 5X 5.5, 5X (2.75) WAS 5X 2.75 AND REVISED CONN MAT'L SPEC, SLIDE MAT'L SPEC & RETAINER MAT'L SPEC	204276	EVV	JAA
06FE01	R	004	-	-	-	15366680 - REMOVED SEALING CODE NOTE	207232	TLD	TLD
21JN01	R	005	-	-	-	15411265-66 - RELEASED AND ALL PARTS - REVISED NOTES	209378	KBD	KBD
02AU01	R	006	-	-	-	15411265 - MOVED BLOCKED CAVITY FROM 7 TO 6	212216	EVV	EVV
24SE01	R	007	-	-	-	ADDED SHEET #2	213814	AMG	AMG
15SE03	R	08	-	-	-	15366680 & 15411266 - UPDATED GRAPHICS; 15411265 - OBSOLETE	245932	TLD	TLD
13JA04	R	09	-	-	-	REVISED GRAPHICS	249513	ECB	AUG



VIEW OF FULLY ASSEMBLED CONNECTION
TPA NOT VISIBLE



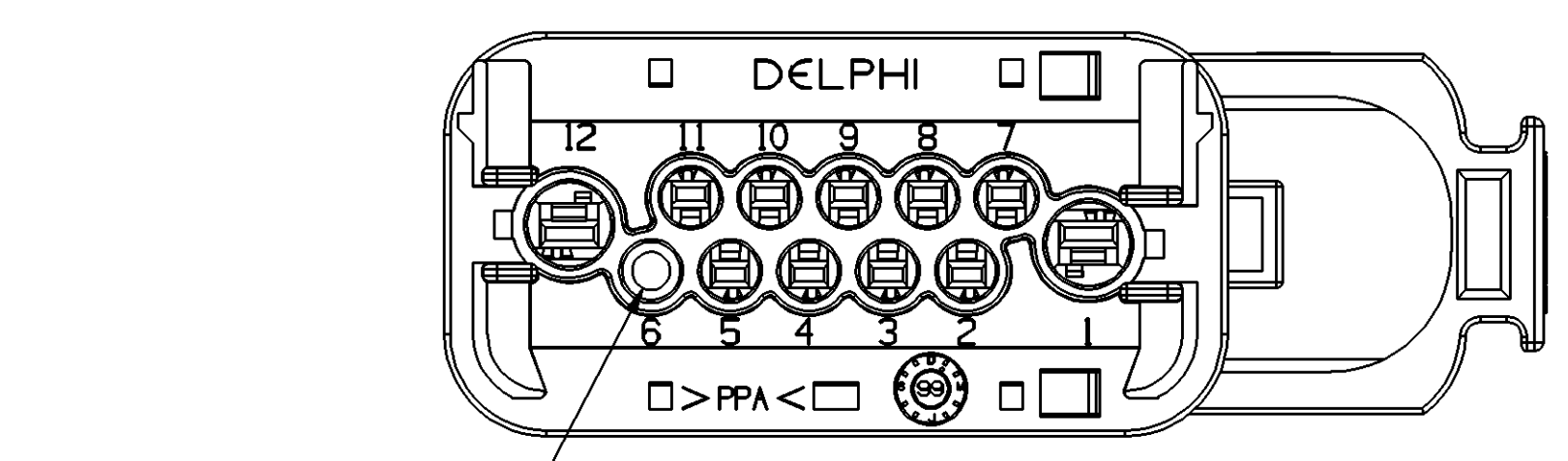
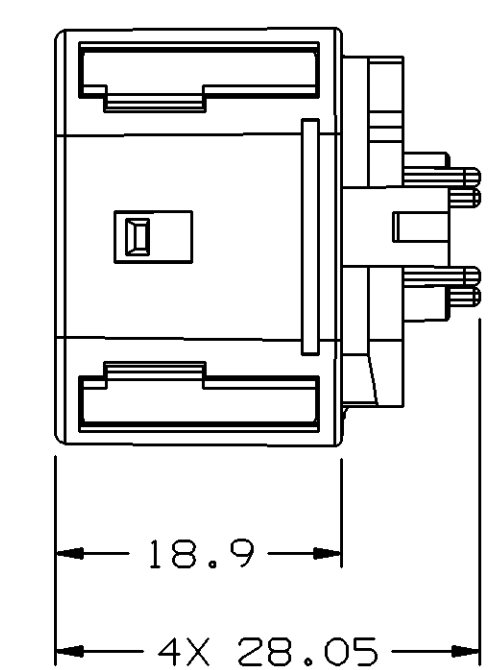
SEE CHART - CONNECTOR



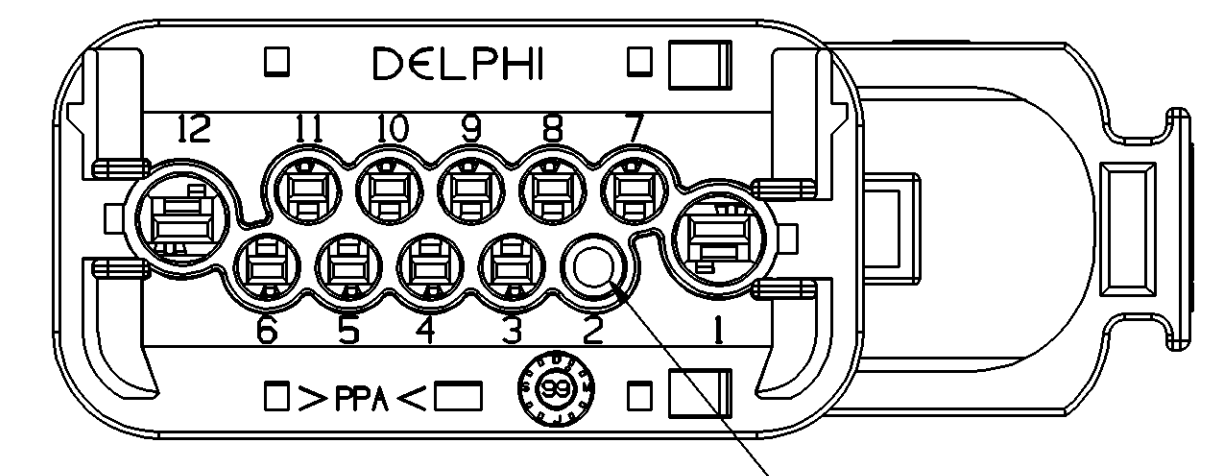
SEE CHART - SLIDE

SEE CHART - SEAL

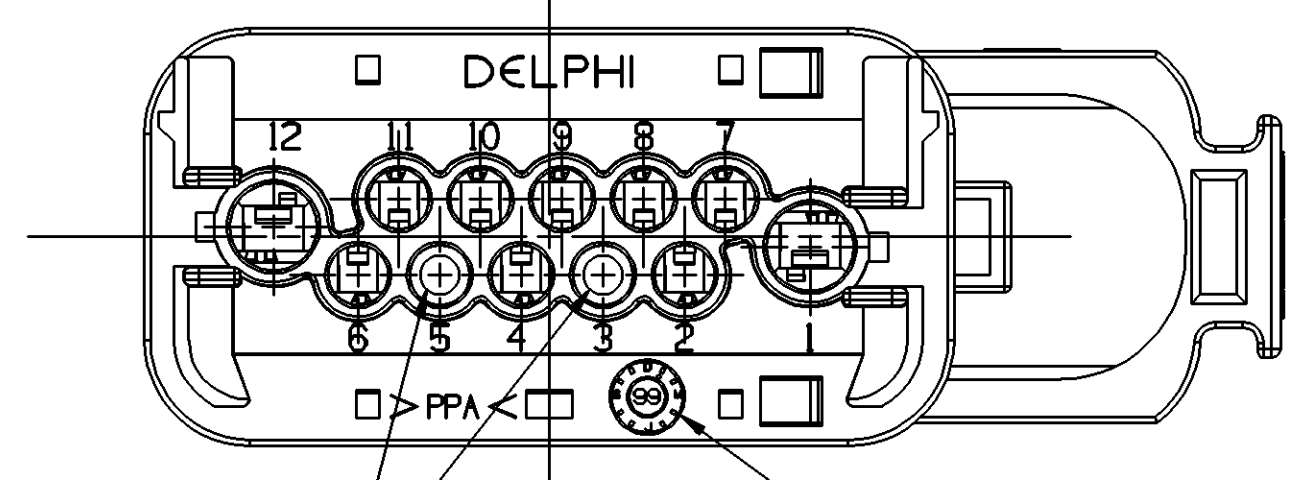
TERMINAL ARRAY & SEE CHART - RETAINER



TYPE 103
SAME AS TYPE 101
EXCEPT AS SHOWN

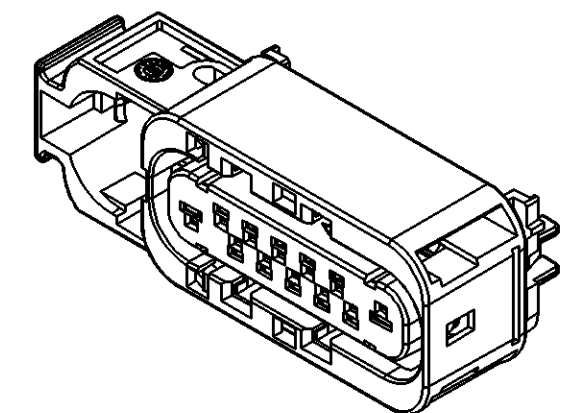


TYPE 102
SAME AS TYPE 101
EXCEPT AS SHOWN



TYPE 101
DATE STAMP MUST SHOW DATE OF MANUFACTURE

TERMINAL ARRAY TYPES (REAR VIEW)

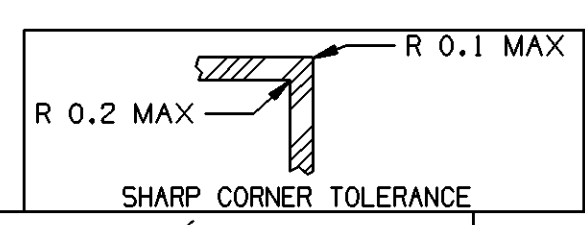


NOTES

- UNLESS OTHERWISE SPECIFIED AND/OR INDICATED: DIMENSIONS ARE TO FACE OF VIEW SHOWN AND AUTOMATICALLY ROUNDED BY COMPUTER FOR INSPECTION (SEE MATH MODEL FOR PRECISE DIMENSIONS). FOR ALL OTHER DIMENSIONS NOT SHOWN BUT REQUIRED FOR TOOL BUILD, SEE MATH MODEL FOR PRECISE TOOL PATH DATA. LIKE CAVITIES ARE IDENTICAL.
- MATING DEVICE 15366683
- THIS PART ACCEPTS THE FOLLOWING COMPONENTS OR EQUIVALENT:
150 CAVITIES - TERMINAL 15326426
280 CAVITIES - TERMINAL 15366684
TERMINAL POSITION ASSURANCE LOCK 15366686
CONNECTOR POSITION ASSURANCE LOCK 15366678
TETHERED CPA 15394612
WIRE DRESS 15366687

PART NO	REV	N/P	STATUS	CONNECTOR	SLIDE	RETAINER	SEAL	TYPE	BLOCKED CAVITIES	REMARKS
15411266	03	-	OBSOLETE	15411264	15366685	15366682	15366623	102	2	
15411265	02	AA	OBSOLETE	15411263	15366685	15366682	15366623	103	6	
15366680	03	-		15366681	15366685	15366682	15366623	101	3,5	OPEL P/N ZFW12-3

SECONDARY LOCK	Y	N
WATERPROOF	X	



FROM	TO	TOLERANCE
> 0	> 20	+0.1
> 20	> 30	+0.15
> 30	> 70	+0.2
> 70	> 100	+0.3
> 100	> 150	+0.4
> 150	> 200	+0.5
> 200	> 300	+0.6
> 300	> 400	+0.8
		± 0.1
		± 0.2

DWO TYPE PART DRAWING	
STYLE	DISTR CODE
VOLUME (001)	6900
ROUTING	
UNLESS OTHERWISE SPECIFIED THIS DOCUMENT IS IN ACCORDANCE WITH ASME Y14.5M-1994 AS MODIFIED BY THE DIMENSIONING AND TOLERANCING ADDENDUM-2001. SEPARATE PATTERNING OF FEATURES MAY BE OBTAINED SEPARATELY REGARDLESS OF DATUM REFERENCES.	
ALL DIMENSIONS ARE IN MILLIMETERS	
REFERENCE	
THIRD ANGLE PROJECTION	DO NOT SCALE
USE MATH DATA	

DELPHI
DELPHI PACKARD ELECTRIC SYSTEMS
WARREN, OH

DR	DATE
APVD1 J.S. ALVARADO	09JL99
APVD2 FRANCISCO KOPCA	17JL99
APVD3 PAUL H. ALAKSIN	26AUG99
APVD4	
APVD5	

MATERIAL: SUBSTANCES OF CONCERN AND RECYCLED CONTENT PER DELPHI 10949001

MATERIAL: SEE DRAWING

DRAWING NAME: TAXI ASM CONN F GT 150 280 SLD

DRAWING NUMBER: 15355379

SIZE: A0
SCALE: 2:1
FRAME NO: 1 OF 1
SHEET NO: 1 OF 2
REV: R 09