
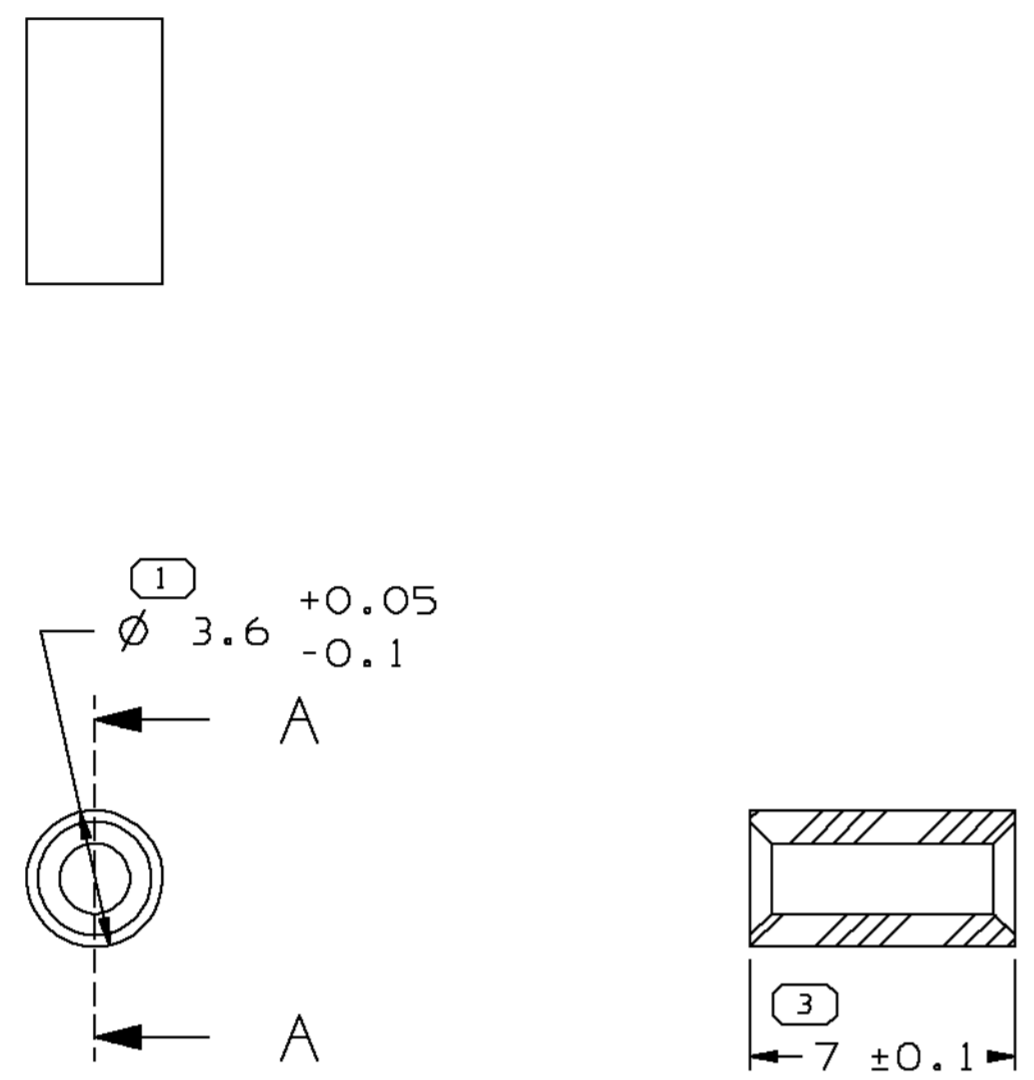


DELPHI PACKARD ELECTRIC SYSTEMS  
WARREN, OHIO 44486

SYMBOL DEFINITION		
A DIMENSION WITHOUT AN INSPECTION REPORT SYMBOL  DOES NOT REQUIRE INSPECTION. IT MAY BE CONTROLLED ON THE INDIVIDUAL COMPONENT DRAWING.	TOTAL NO OF INSPECTIONS REQUIRED	2
	LAST NO. USED	3

MISSING SYMBOLS	DWG STATUS					ZONE	REVISION HISTORY	AUTH	DR	CK	APVD
	DATE	STG	REV	CHG	N/P						
2	15MY01	R	001	-	-		WAS PE091183 AND RELEASED	208914	CJP	CJP	BS
	09JA02	R	002	-	-		REVISED MATL SPEC WAS R0100256 PBT GF15 IM-GRN	218647	MAC	MAC	WLS




SECTION A - A

SCALE 2:1

NOTES

- UNLESS OTHERWISE SPECIFIED AND/OR INDICATED: DIMENSIONS ARE TO FACE OF VIEW SHOWN AND AUTOMATICALLY ROUNDED BY COMPUTER FOR INSPECTION (SEE MATH MODEL FOR PRECISE DIMENSIONS). FOR ALL OTHER DIMENSIONS NOT SHOWN BUT REQUIRED FOR TOOL BUILD, SEE MATH MODEL FOR PRECISE TOOL PATH DATA.
- MATERIAL RECYCLING CODE >PBT GF15< PER SAE J1344 TO APPEAR ON PART.
- MATING COMPONENTS OR EQUIVALENT: CONNECTOR 15359261 AND 15409454

<b>DELPHI</b> Automotive Systems																																		
MATERIAL SPEC R0100254 PBT GF15 IM-BLUE																																		
SUBSTANCES OF CONCERN AND RECYCLED CONTENT PER DELPHI-A 01949001																																		
PART DRAWING																																		
CODE NUMBER 6901	DWG DATE 15MY01																																	
QC SPEC	SCALE 5:1																																	
PART GEOMETRY 3D SOLID																																		
UNLESS OTHERWISE SPECIFIED: THIS DOCUMENT IS IN ACCORDANCE WITH ASME Y14.5M - 1994 AS AMENDED BY THE GM GLOBAL DIMENSIONING AND TOLERANCING ADDENDUM - 1997. ALL GEOMETRIC TOLERANCES AND RELATED DATUMS APPLY RFS. RULE #1 (PERFECT FORM AT MMC) DOES NOT APPLY WHEN RELATIONSHIP BETWEEN FEATURES IS ESTABLISHED BY ORIENTATION OR LOCATION TOLERANCES. SEPARATE POSITION CALLOUTS MAY BE GAGED SEPARATELY REGARDLESS OF DATUM REFERENCES.																																		
 CHANGE RESTRICTED NO MANUAL CHANGES																																		
COPY OF MATH DATA DO NOT SCALE																																		
METRIC UNLESS OTHERWISE SPECIFIED, ALL DIMENSIONS ARE IN MILLIMETERS																																		
THIRD ANGLE PROJECTION																																		
DRAWING NAME SLEEVE																																		
<table border="1"> <thead> <tr> <th>REFERENCE</th> <th>DR</th> <th>DATE</th> </tr> </thead> <tbody> <tr> <td>APVD1</td> <td>CHUCK PAPAS</td> <td>15MY01</td> </tr> <tr> <td>APVD2</td> <td>CHUCK PAPAS</td> <td>15MY01</td> </tr> <tr> <td>APVD3</td> <td>BILL STEIN</td> <td>16MY01</td> </tr> <tr> <td>APVD4</td> <td></td> <td></td> </tr> <tr> <td>APVD5</td> <td></td> <td></td> </tr> </tbody> </table>		REFERENCE	DR	DATE	APVD1	CHUCK PAPAS	15MY01	APVD2	CHUCK PAPAS	15MY01	APVD3	BILL STEIN	16MY01	APVD4			APVD5																	
REFERENCE	DR	DATE																																
APVD1	CHUCK PAPAS	15MY01																																
APVD2	CHUCK PAPAS	15MY01																																
APVD3	BILL STEIN	16MY01																																
APVD4																																		
APVD5																																		
<table border="1"> <thead> <tr> <th colspan="2">DIMENSIONAL RANGE (MM)</th> <th>CHART E</th> </tr> <tr> <th>FROM</th> <th>TO</th> <th></th> </tr> </thead> <tbody> <tr> <td>0</td> <td>&gt; 20</td> <td>&gt; 30</td> </tr> <tr> <td>20</td> <td>30</td> <td>70</td> </tr> <tr> <td></td> <td></td> <td>&gt; 70</td> </tr> <tr> <td></td> <td></td> <td>&gt; 100</td> </tr> <tr> <td colspan="3">TOLERANCE UNLESS OTHERWISE SPECIFIED</td> </tr> <tr> <td>±0.15</td> <td>±0.2</td> <td>±0.3</td> </tr> <tr> <td></td> <td></td> <td>±0.4</td> </tr> <tr> <td></td> <td></td> <td>±0.5</td> </tr> <tr> <td colspan="3">ANGULAR TOLERANCE ± 2°</td> </tr> </tbody> </table>		DIMENSIONAL RANGE (MM)		CHART E	FROM	TO		0	> 20	> 30	20	30	70			> 70			> 100	TOLERANCE UNLESS OTHERWISE SPECIFIED			±0.15	±0.2	±0.3			±0.4			±0.5	ANGULAR TOLERANCE ± 2°		
DIMENSIONAL RANGE (MM)		CHART E																																
FROM	TO																																	
0	> 20	> 30																																
20	30	70																																
		> 70																																
		> 100																																
TOLERANCE UNLESS OTHERWISE SPECIFIED																																		
±0.15	±0.2	±0.3																																
		±0.4																																
		±0.5																																
ANGULAR TOLERANCE ± 2°																																		
<table border="1"> <thead> <tr> <th>SHEET NUMBER</th> <th>DRAWING NUMBER</th> <th colspan="3">DWG STATUS</th> <th>SIZE</th> </tr> <tr> <th></th> <th></th> <th>STG</th> <th>REV</th> <th>N/P</th> <th></th> </tr> </thead> <tbody> <tr> <td>1 OF 1</td> <td>15411630</td> <td>R</td> <td>002</td> <td>-</td> <td>A2</td> </tr> </tbody> </table>		SHEET NUMBER	DRAWING NUMBER	DWG STATUS			SIZE			STG	REV	N/P		1 OF 1	15411630	R	002	-	A2															
SHEET NUMBER	DRAWING NUMBER	DWG STATUS			SIZE																													
		STG	REV	N/P																														
1 OF 1	15411630	R	002	-	A2																													