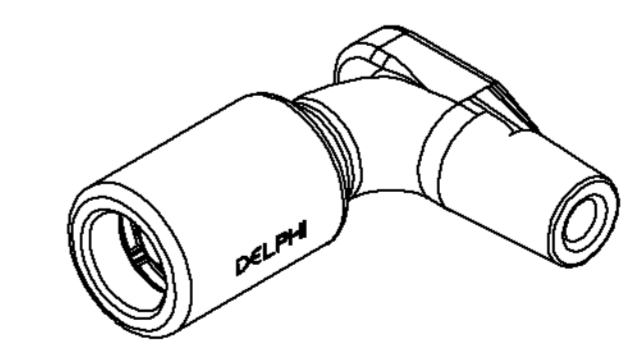
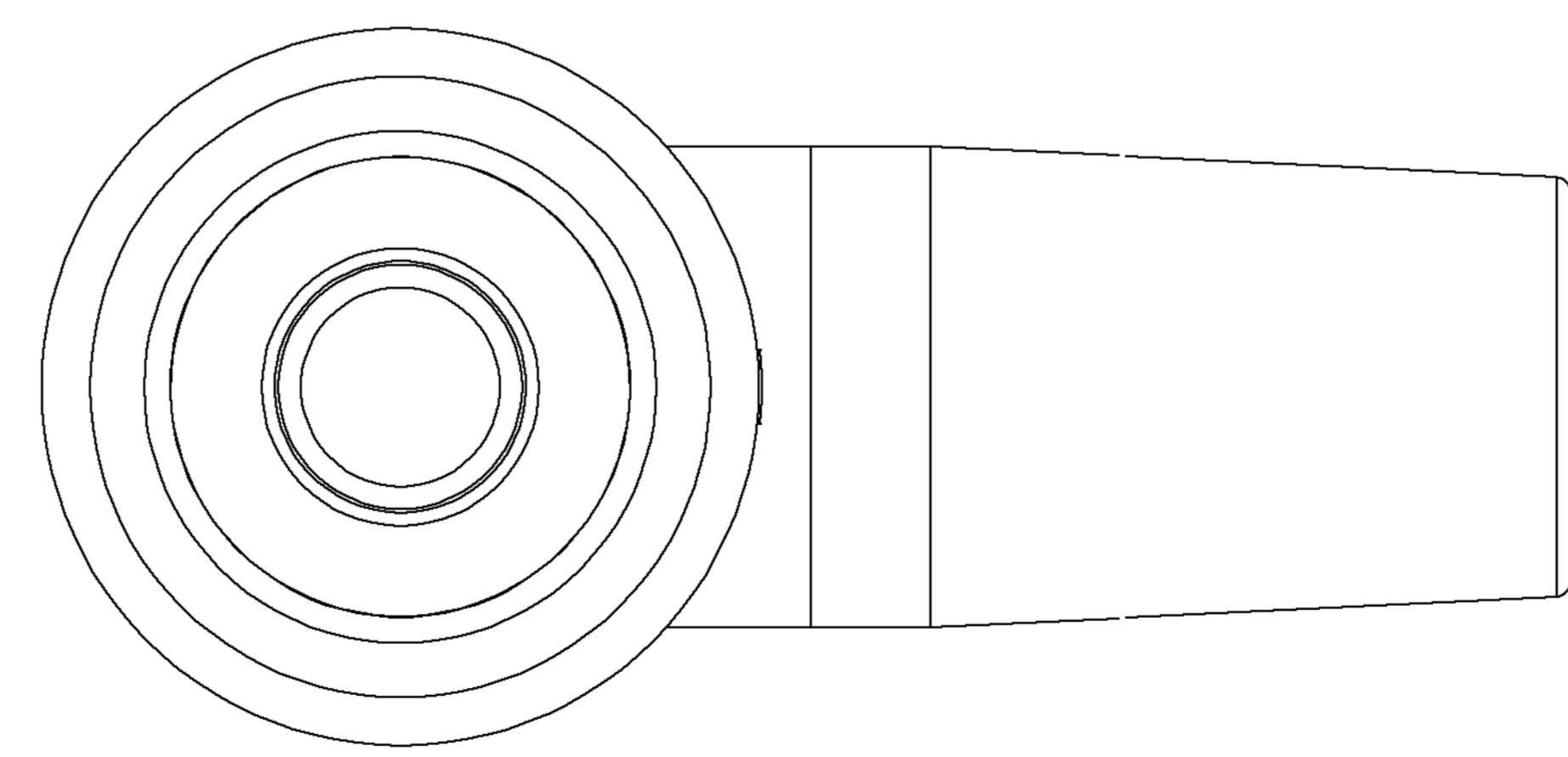
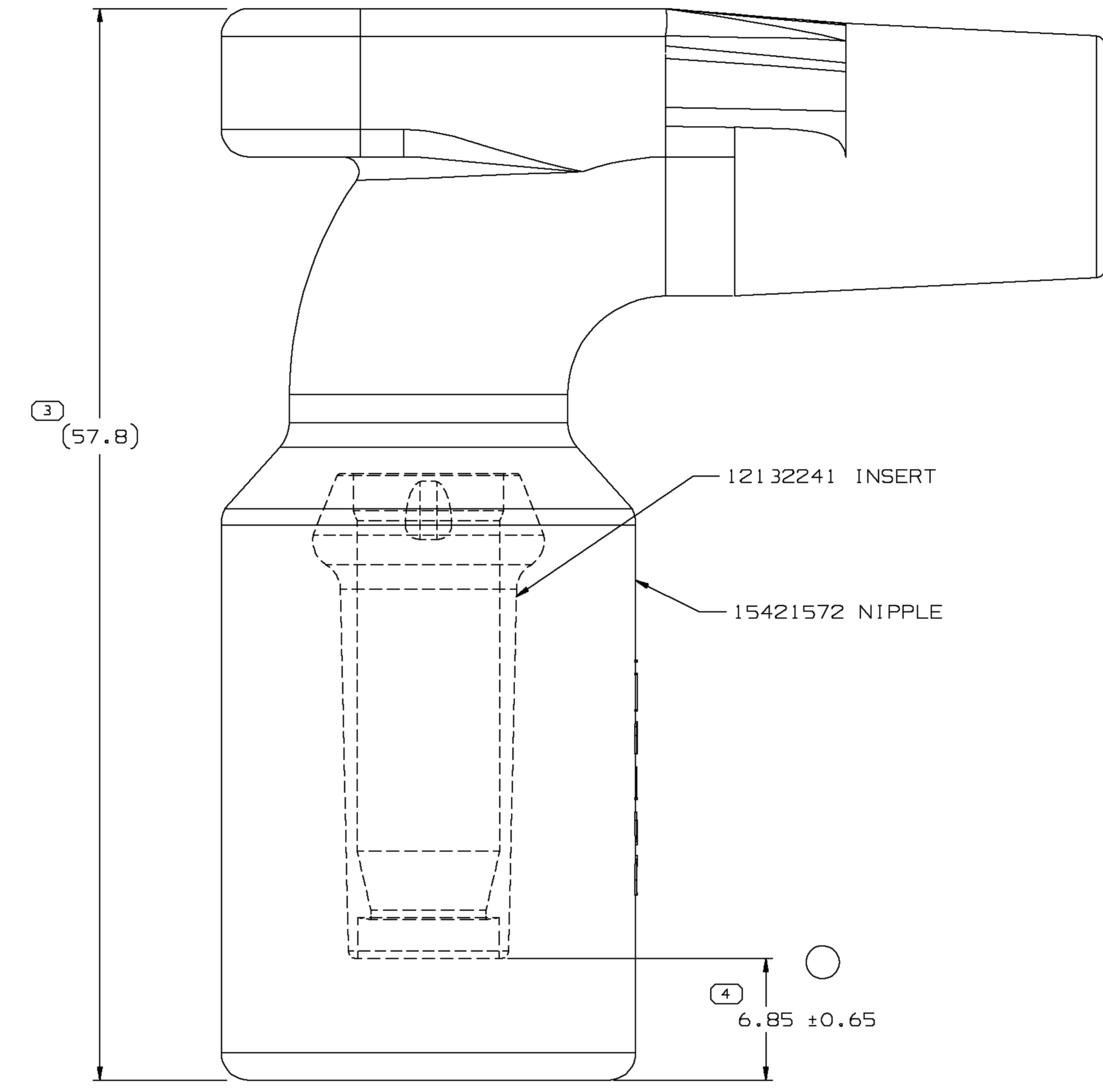
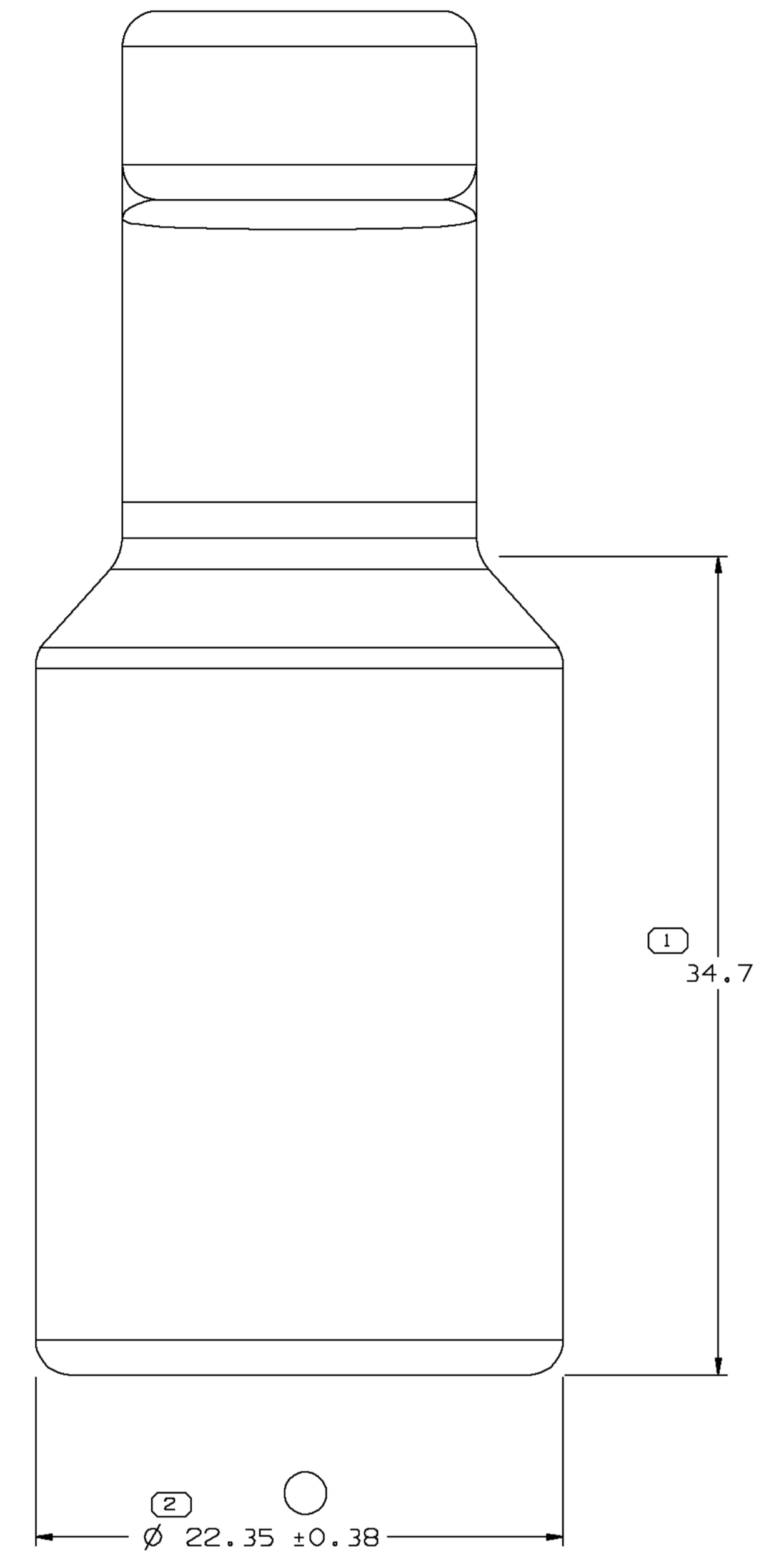


SYMBOL DEFINITION		MISSING SYMBOLS	
A DIMENSION WITHOUT AN INSPECTION REPORT SYMBOL DOES NOT REQUIRE INSPECTION. IT MAY BE CONTROLLED ON THE INDIVIDUAL COMPONENT DRAWING.	TOTAL NO OF INSPECTIONS REQUIRED	NO MISSING SYMBOL NUMBER	
	4		
	LAST NO. USED		
	4		

DWG STATUS				REVISION HISTORY				AUTH	DR	CK	APVD		
DATE	STG	REV	CHK	N/P	ZONE								
150001	R	001	-			WAS PE063805 AND RELEASED				215186	EES	EES	JMW
06MR02	R	001	-	AA		22.35+/-0.38 WAS (22.35) ADDED 6.85+/-0.65 DIM; REVISED PROCESS SENSITIVE DIM; REMOVED TO				222228	PJC	PJC	JMW



- NOTES:
- UNLESS OTHERWISE SPECIFIED AND/OR INDICATED: DIMENSIONS ARE TO FACE OF VIEW SHOWN AND AUTOMATICALLY ROUNDED BY COMPUTER FOR INSPECTION. (SEE MATH MODEL FOR PRECISE DIMENSION) FOR ALL OTHER DIMENSIONS NOT SHOWN BUT REQUIRED FOR TOOL BUILD, SEE MATH MODEL FOR PRECISE TOOL PATH DATA.
 - PLASTIC INSERT MUST BE FULLY SEATED INTO NIPPLE AS SHOWN.

(2) PROCESS SENSITIVE DIMENSION		INDICATE REFERENCE DIMENSIONS AND NO TOLERANCE ARE ESTABLISHED	
DIMENSIONAL RANGE	UMI CHART C		
FROM 0	> 25 > 60		
TO 25	60 80		
TOLERANCE UNLESS OTHERWISE SPECIFIED			
±0.3		±0.5	±0.6 ±0.75%
ANGULAR TOLERANCE ± 2°			

DELPHI Automotive Systems			
MATERIAL SPEC SEE DWG			
SUBSTANCES OF CONCERN AND RECYCLED CONTENT PER DELPHI-A 10949001			
PART DRAWING			DISTR CODE D
CODE NUMBER 6900	DWG DATE 150001	SCALE 5:1	
OC SPEC R-4015-MFG-4001	STYLE	VOLUME cm³	
PART GEOMETRY 3D SOLID	UNLESS OTHERWISE SPECIFIED: THIS DOCUMENT IS IN ACCORDANCE WITH ASME Y14.5M - 1994 AS AMENDED BY THE GM GLOBAL DIMENSIONING AND TOLERANCING ADDENDUM - 1997. ALL GEOMETRIC TOLERANCES AND RELATED DATUMS APPLY RFS. RULE #1 (PERFECT FORM AT MMC) DOES NOT APPLY WHEN RELATIONSHIP BETWEEN FEATURES IS ESTABLISHED BY ORIENTATION OR LOCATION TOLERANCES. SEPARATE POSITION CALLOUTS MAY BE GAGED SEPARATELY REGARDLESS OF DATUM REFERENCES.		
UG CHANGE RESTRICTED NO MANUAL CHANGES	REFERENCE	DR	DATE
COPY OF MATH DATA DO NOT SCALE		APVD1 E. SEIDEL	150001
		APVD2 E. SEIDEL	150001
		APVD3 J. WESTON	170001
		APVD4	
		APVD5	
METRIC UNLESS OTHERWISE SPECIFIED, ALL DIMENSIONS ARE IN MILLIMETERS	THIRD ANGLE PROJECTION	DRAWING NAME ASM NIPPLE DIST 7MM 90 DEG	
SHEET NUMBER 1 OF 1		DRAWING NUMBER 15421573	
DWG STATUS R 001 AA		SIZE AO	