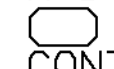
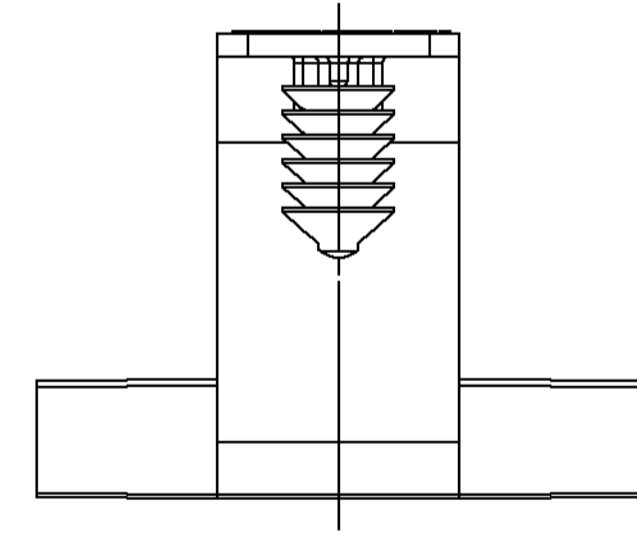
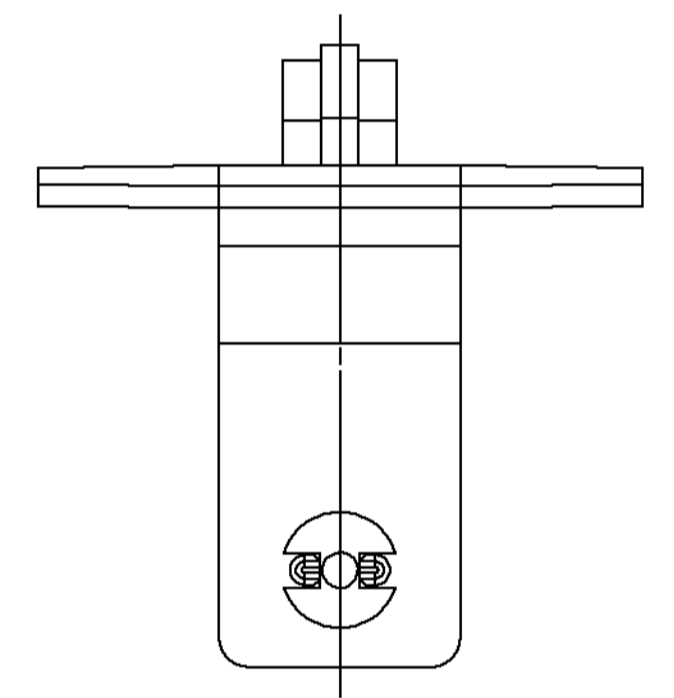
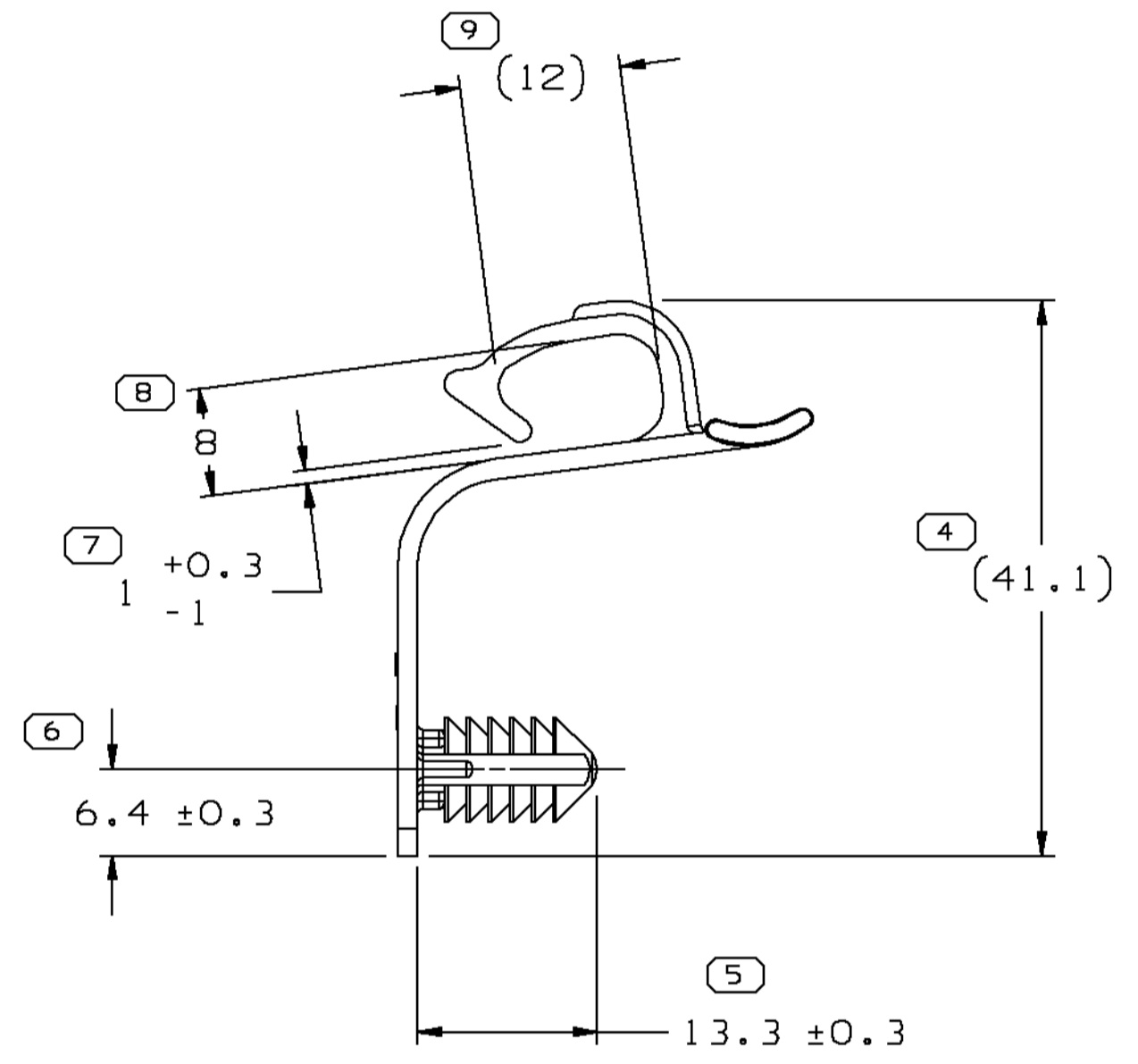
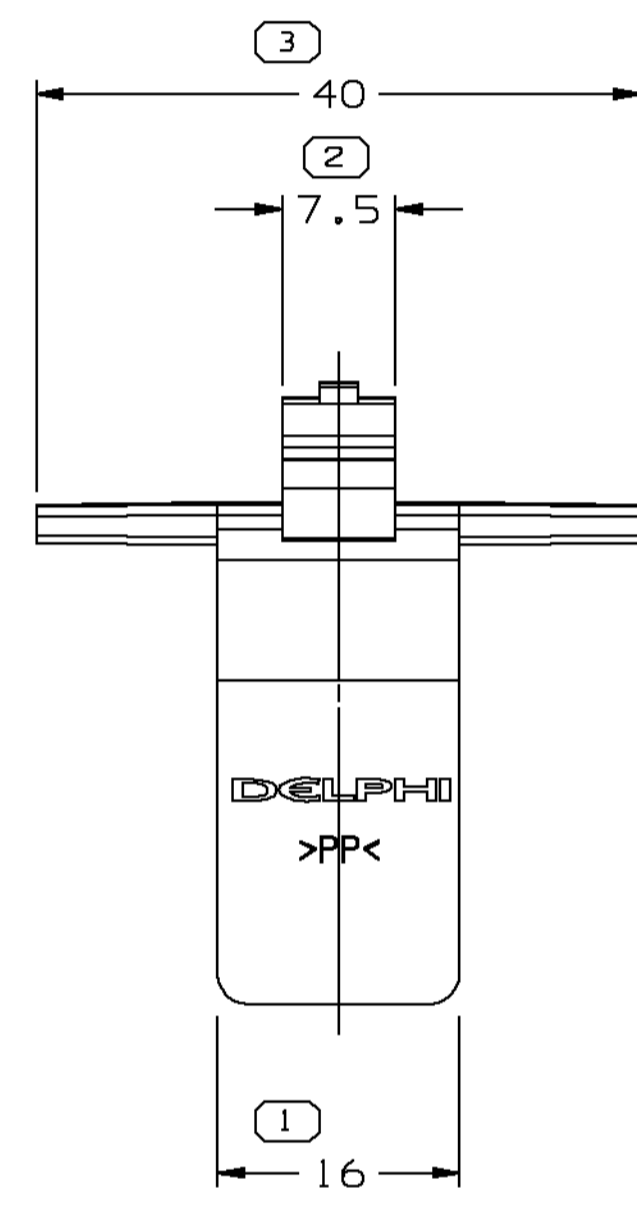
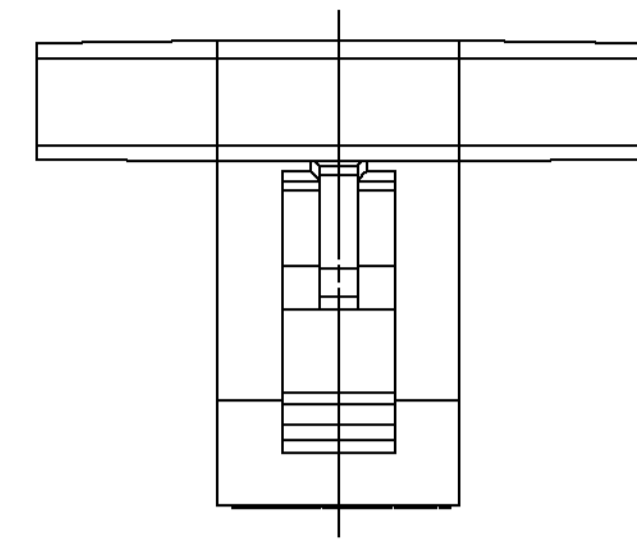


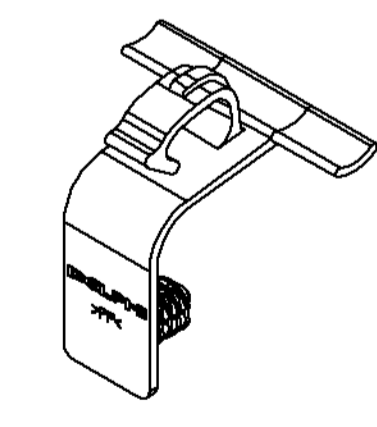
SYMBOL DEFINITION		MISSING SYMBOLS	
A DIMENSION WITHOUT AN INSPECTION REPORT SYMBOL  DOES NOT REQUIRE INSPECTION, IT MAY BE CONTROLLED ON THE INDIVIDUAL COMPONENT DRAWING.	TOTAL NO OF INSPECTIONS REQUIRED	9	NO MISSING SYMBOL NUMBER
	LAST NO. USED	9	

DWG STATUS				REVISION HISTORY				AUTH		DR		APVD	
DATE	STG	REV	N/P	CHG	ZONE								
16JL02	R	01	-	-		RELEASED		227916	RH	RH	FR	FR	
13AU02	R	01	AA	-		REVISED FIR TREE ORIENTATION		229268	RVP	RVP	FR	FR	
290C02	R	01	AB	-		REVISED MAT'L SPEC		232652	RCH	RCH	FR	FR	



NOTES

- UNLESS OTHERWISE SPECIFIED AND/OR INDICATED: DIMENSIONS ARE TO FACE OF VIEW SHOWN AND AUTOMATICALLY ROUNDED BY COMPUTER FOR INSPECTION (SEE MATH MODEL FOR PRECISE DIMENSIONS). FOR ALL OTHER DIMENSIONS NOT SHOWN BUT REQUIRED FOR TOOL BUILD, SEE MATH MODEL FOR PRECISE TOOL PATH DATA.
- MATERIAL RECYCLING CODE >PP< PER SAE J1344. (2.3)X(0.1) RAISED CHARACTERS AS SHOWN TO BE LOCATED ON ANY EXTERIOR SURFACE. OPTIONAL CONSTRUCTION TO BE NO MATERIAL RECYCLING CODE.
- (2.3)X(0.1) RAISED DELPHI CORPORATE BRAND TO BE LOCATED ON ANY EXTERIOR SURFACE, PREFERABLY VISIBLE AT FINAL ASSEMBLY. OPTIONAL CONSTRUCTION TO BE "PED" OR NO LOGO.
- THIS PART TO SNAP INTO 6.35 DIA IN 5 MAX THICK STOCK.



PART DRAWING	
STYLE	
VOLUME (CM <sup>3</sup> )	2.256
ROUTING	6900
UNLESS OTHERWISE SPECIFIED	
THIS DOCUMENT IS IN ACCORDANCE WITH ASME Y14.5M-1994 AS AMENDED BY THE GM GLOBAL DIMENSIONING AND TOLERANCING ADDENDUM - 1997. ALL GEOMETRIC TOLERANCES AND RELATED DATUMS APPLY RFS. RULE #1 (PERFECT FORM AT MMC) DOES NOT APPLY WHEN RELATIONSHIP BETWEEN FEATURES IS ESTABLISHED BY ORIENTATION OR LOCATION TOLERANCES. SEPARATE POSITION CALLOUTS MAY BE BARED SEPARATELY, REGARDLESS OF DATUM REFERENCE.	
REFERENCE	

**DELPHI**  
 DELPHI PACKARD ELECTRIC SYSTEMS  
 WARREN, OH

DR	DATE
APVD1 R. HERMOSILLO	16JL02
APVD2 R. HERMOSILLO	16JL02
APVD3 F. ROMERO	17JL02
APVD4	
APVD5	

MATERIAL: M0661001 PP NAT

DRAWING NAME: CLIP HARNESS

DRAWING NUMBER: 15429587

SIZE	SCALE	FRAME NO	SHEET NO	STG	REV	N/P
A1	2:1	1 OF 1	1 OF 1	R	01	AB

DIMENSIONAL RANGE (MM)		CHART		E1	
FROM	TO	>20	>30	>100	>250
0	20	30	70	100	150
20	30	70	100	150	200
30	70	100	150	200	250
70	100	150	200	250	300
100	150	200	250	300	400

TOLERANCE UNLESS OTHERWISE SPECIFIED

±0.15	±0.2	±0.3	±0.4	±0.5	±0.6	±0.8	±1	±1.2
-------	------	------	------	------	------	------	----	------

ANGULAR TOLERANCE ±2°

SHARP CORNER TOLERANCE