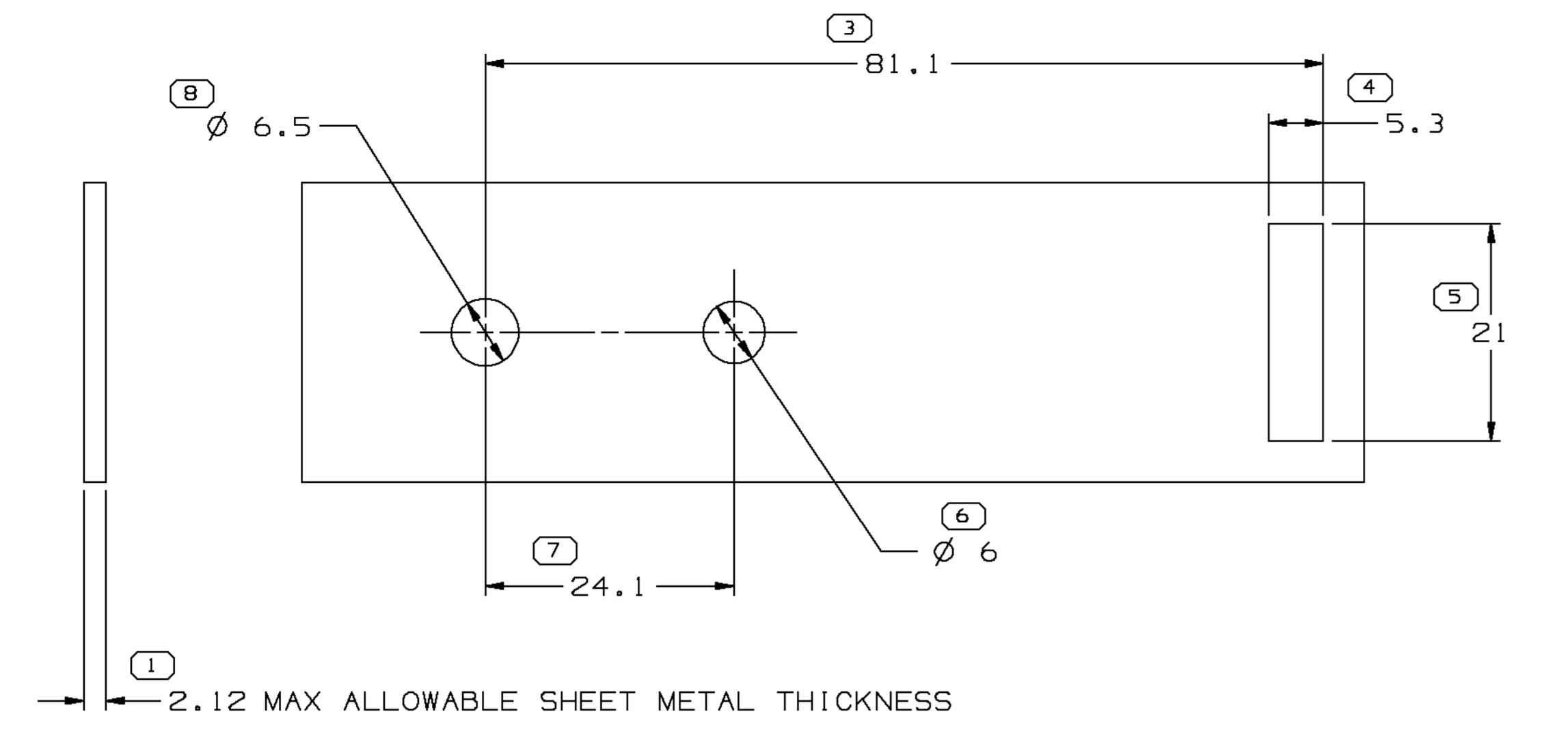


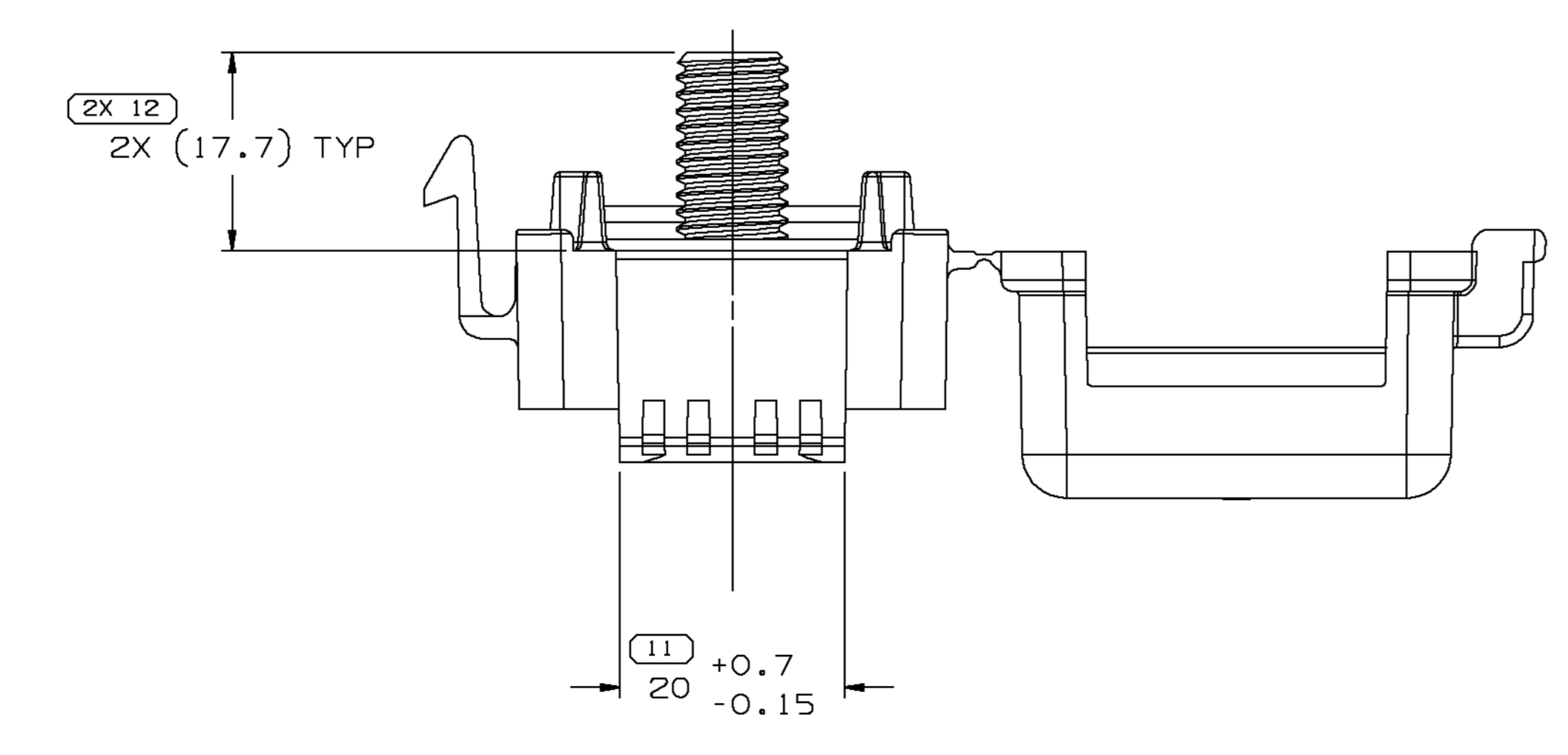
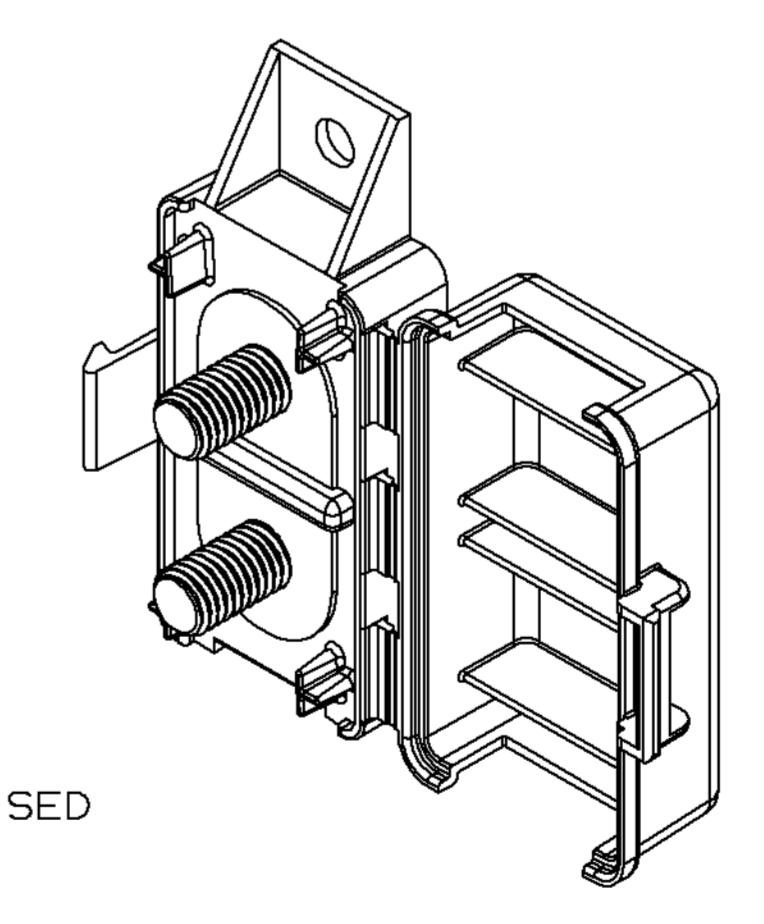
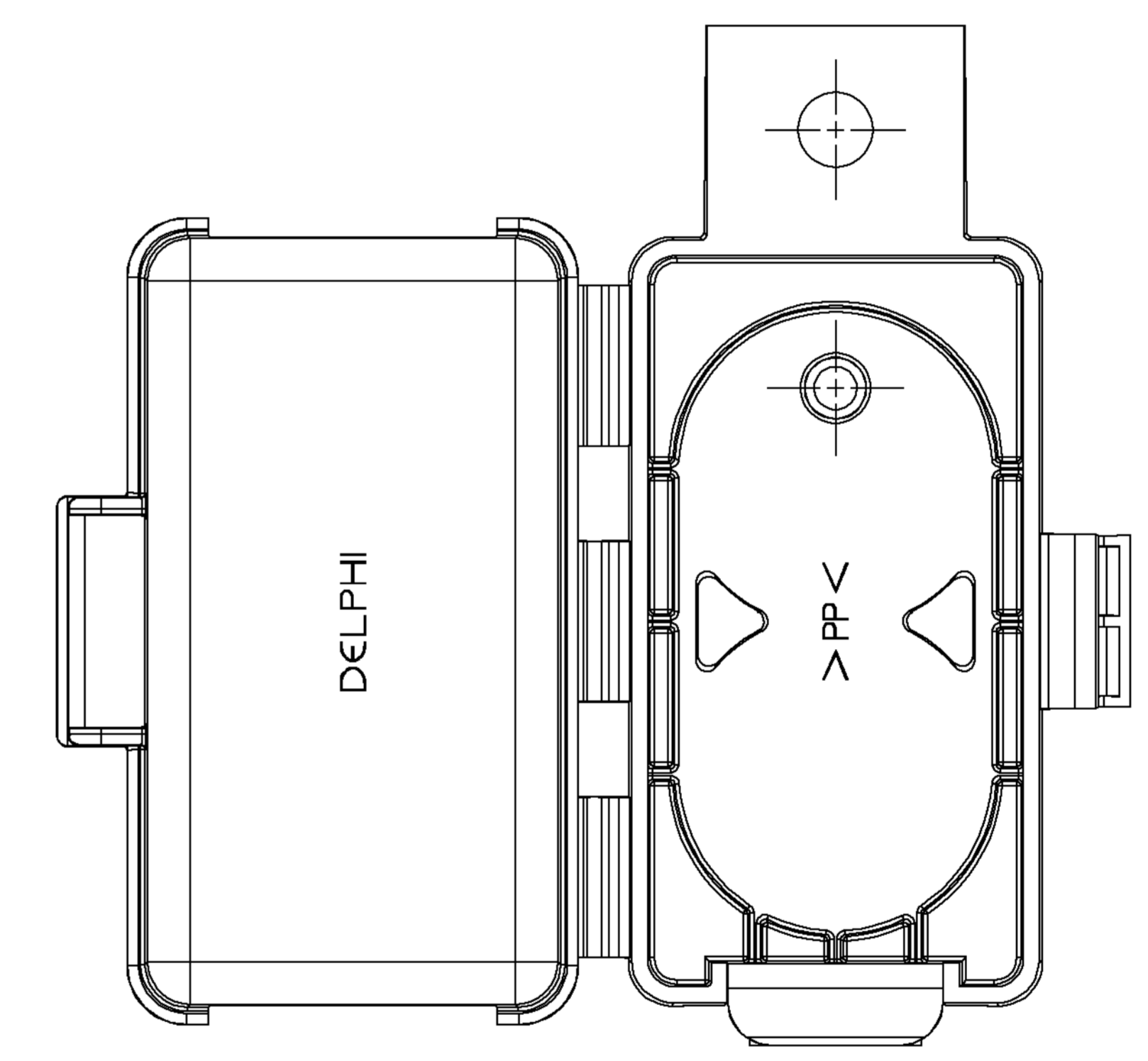
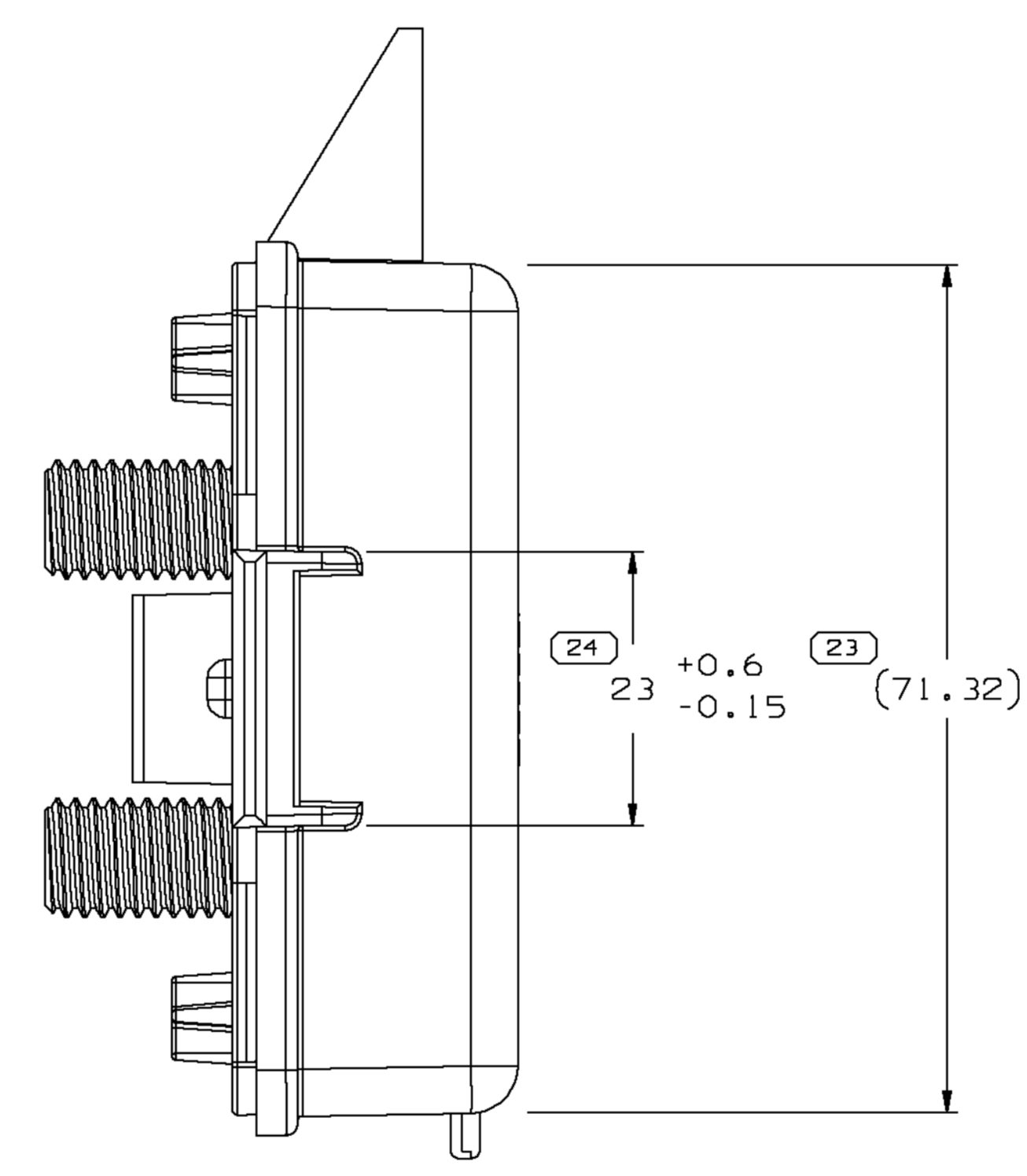
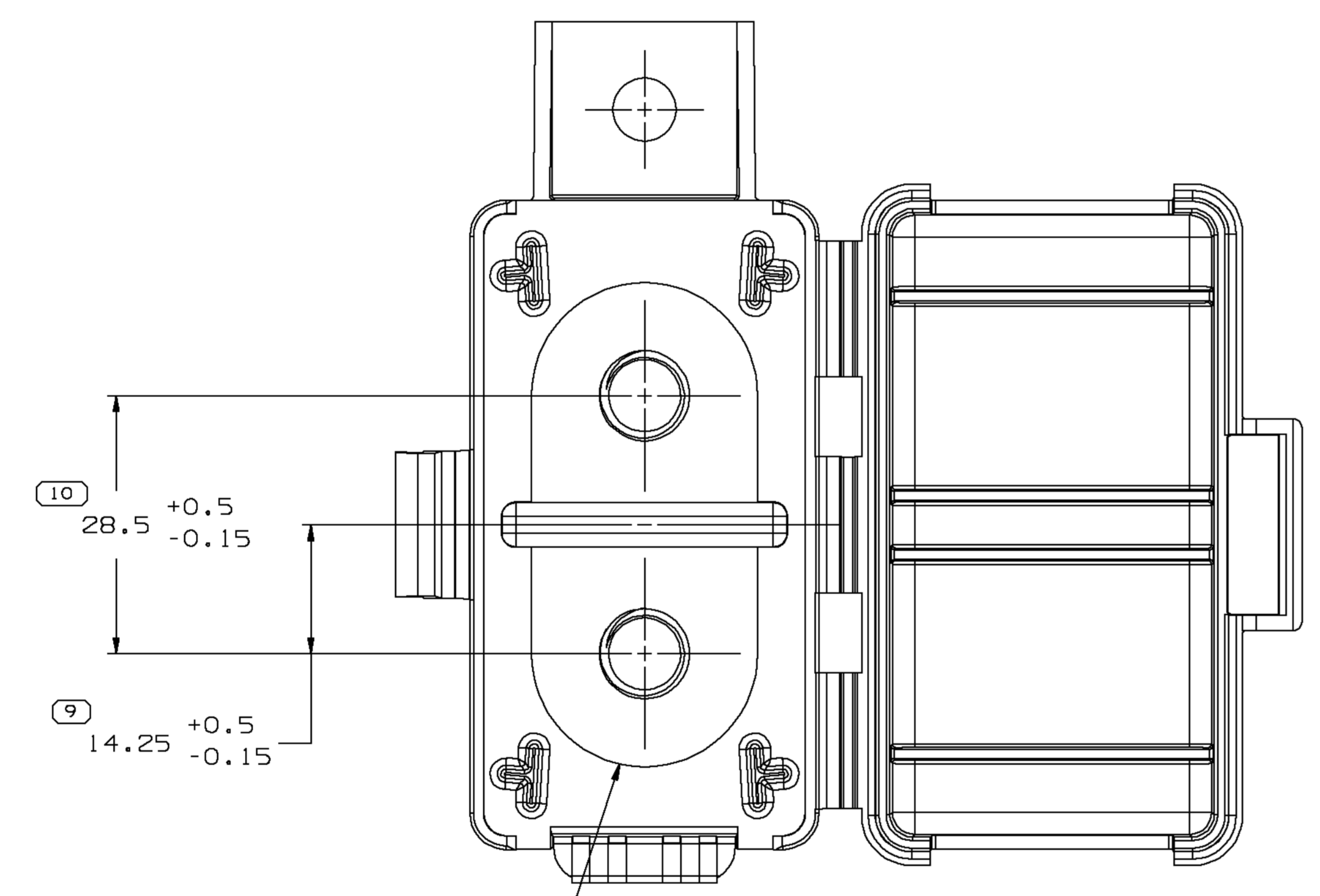
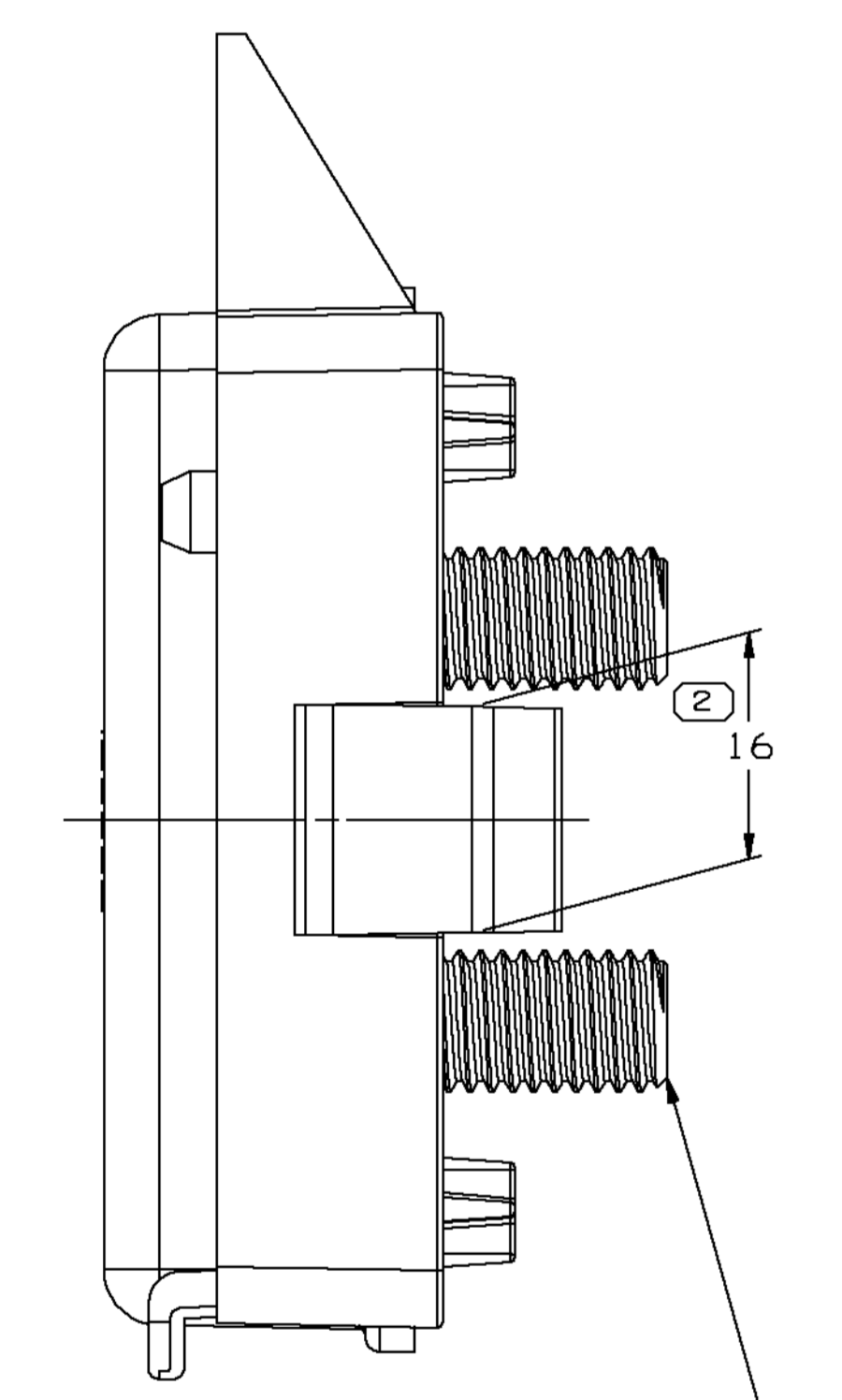
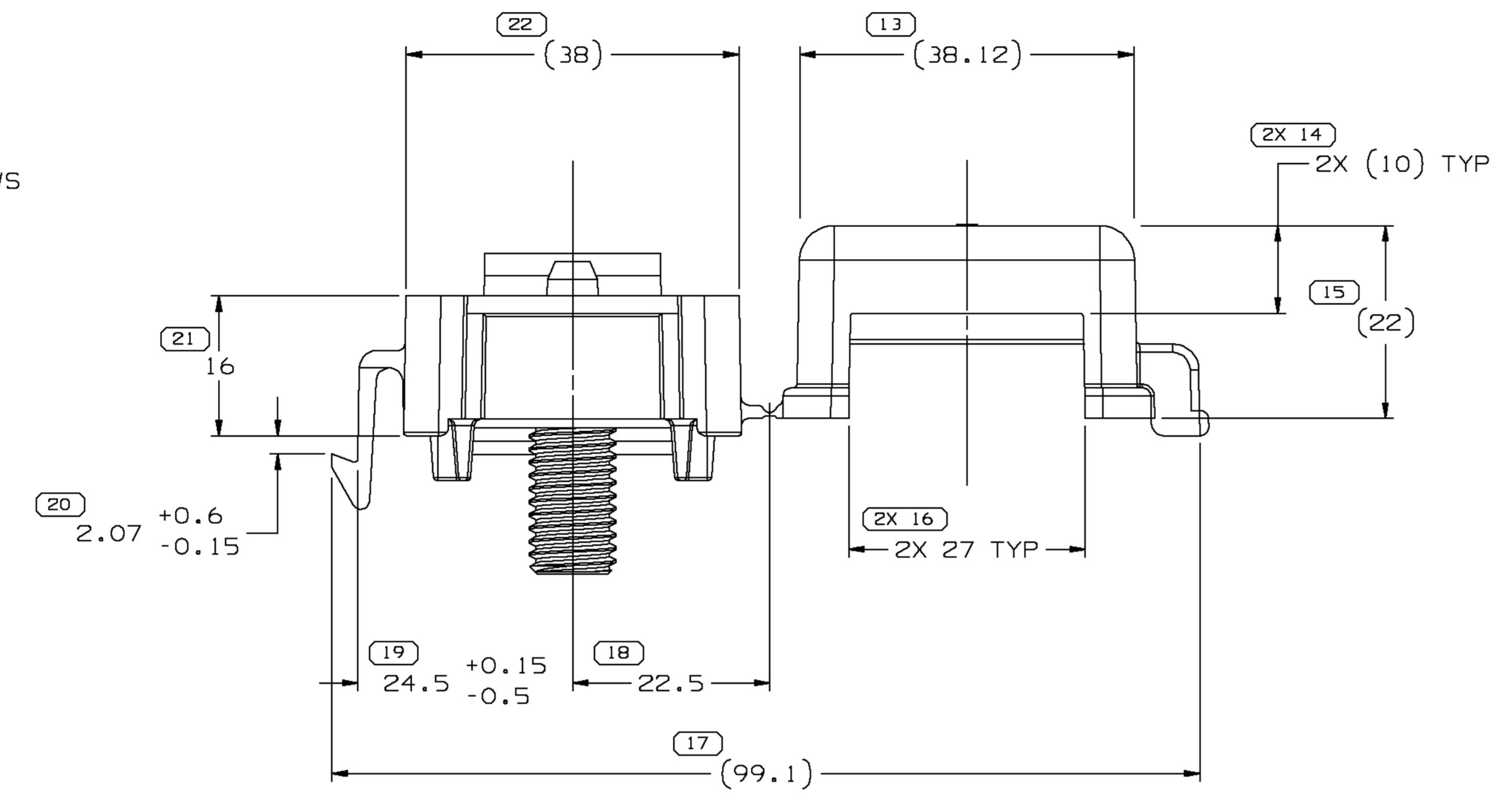
SYMBOL DEFINITION		MISSING SYMBOLS	
A DIMENSION WITHOUT AN INSPECTION REPORT SYMBOL DOES NOT REQUIRE INSPECTION. IT MAY BE CONTROLLED ON THE INDIVIDUAL COMPONENT DRAWING.	TOTAL NO OF INSPECTIONS REQUIRED	NO MISSING SYMBOL NUMBER	
	27		
	LAST NO. USED		
	24		

DWG STATUS						REVISION HISTORY				AUTH	DR	APVD	APVD
DATE	STG	REV	W/P	CHG	ZONE								
02AP02	R	001	-	-		WAS PE097496 AND RELEASED				223146	FRG	FRG	AK
16AP02	R	001	AA	-		NUT PN WAS 12020097 IN NOTE# 3				223929	RAB	RAB	AK



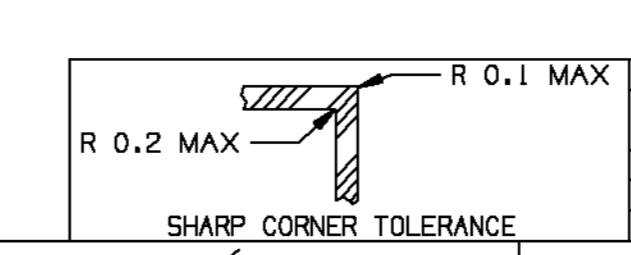
**MOUNTING HOLE DETAIL**

INSPECTION SYMBOLS SHOWN IN THESE VIEWS ARE FOR REFERENCE ONLY



**NOTES**

- UNLESS OTHERWISE SPECIFIED AND/OR INDICATED: DIMENSIONS ARE TO FACE OF VIEW SHOWN AND AUTOMATICALLY ROUNDED BY COMPUTER FOR INSPECTION. (SEE MATH MODEL FOR PRECISE DIMENSIONS.) FOR ALL OTHER DIMENSIONS NOT SHOWN BUT REQUIRED FOR TOOL BUILD, SEE MATH MODEL FOR PRECISE TOOL PATH DATA.
- MATERIAL RECYCLING CODE >PPC< PER SAE J1344. (2.3)X(0.1) RAISED CHARACTERS AS SHOWN TO BE LOCATED ON ANY EXTERIOR SURFACE. OPTIONAL CONSTRUCTION TO BE NO MATERIAL RECYCLING CODE.
- MATING COMPONENTS OR EQUIVALENT:  
NUT (2 REQ'D) - 12084536  
TERMINAL - 12146360 (WITH SLEEVE)  
RETAINER - 01605396
- INSERTS MUST RESIST A TORQUE OF 25 NM WITHOUT STRIPPING OR TURNING IN PLASTIC. (REFERENCE)
- ALL EXTERIOR SURFACES OF COVER, EXCEPT HINGE AND LOCK, TO BE STIPPLE FINISHED.
- THIS PART IS NOT CONTROLLED FOR AUTOMATIC FEEDING.
- EACH STUD CAN ACCEPT A MAXIMUM OF TWO SLEEVED RING TERMINALS IN A FAN ARRANGEMENT.
- (2.3)X(0.1) RAISED DELPHI CORPORATE BRAND TO BE LOCATED ON ANY EXTERIOR SURFACE, PREFERABLY VISIBLE AT FINAL ASSEMBLY. OPTIONAL CONSTRUCTION TO BE "PED" OR NO LOGO.



DIMENSIONAL RANGE (MM)	TOLERANCE UNLESS OTHERWISE SPECIFIED	CHART ET
FROM 0 TO 20	±0.25	20
20 TO 30	±0.30	30
30 TO 50	±0.40	40
50 TO 70	±0.50	50
70 TO 100	±0.63	63
100 TO 150	±0.80	80
150 TO 200	±1.00	100
200 TO 250	±1.25	125
250 TO 300	±1.60	160
300 TO 400	±2.00	200

DWG TYPE		PART DRAWING	
STYLE		DATE	
VOLUME (CMT)		DISTR CODE	D
ROUTING	6900		
UNLESS OTHERWISE SPECIFIED			
THIS DOCUMENT IS IN ACCORDANCE WITH ASME Y14.5M-1994 AS AMENDED BY THE GW GLOBAL DIMENSIONING AND TOLERANCING ADDENDUM - 1997. ALL DIMENSIONAL TOLERANCES AND RELATED DATUMS APPLY UNLESS OTHERWISE SPECIFIED. DIMENSIONS ARE TO FACE UNLESS OTHERWISE SPECIFIED. UNLESS OTHERWISE SPECIFIED, DIMENSIONS ARE TO FACE UNLESS OTHERWISE SPECIFIED. UNLESS OTHERWISE SPECIFIED, DIMENSIONS ARE TO FACE UNLESS OTHERWISE SPECIFIED.			
REFERENCE		THIRD ANGLE PROJECTION	DO NOT SCALE
		USE MATH DATA	UNIGRAPHICS

**DELPHI**  
DELPHI PACKARD ELECTRIC SYSTEMS  
WARREN, OH

DR	DATE
APVD1 FCO, RESENDIZ	02AP02
APVD2 FCO, RESENDIZ	02AP02
APVD3 ALEX KASEGNE	03AP02
APVD4	
APVD5	

MATERIAL: M2097004 PP 1M-RED

DRAWING NAME: ASM CONN MISC RED

DRAWING NUMBER: 15434718

SIZE: A0 SCALE: 2:1 FRAME NO: 1 OF 1 SHEET NO: 1 OF 1 STG: REV: N/P: FRG: AK