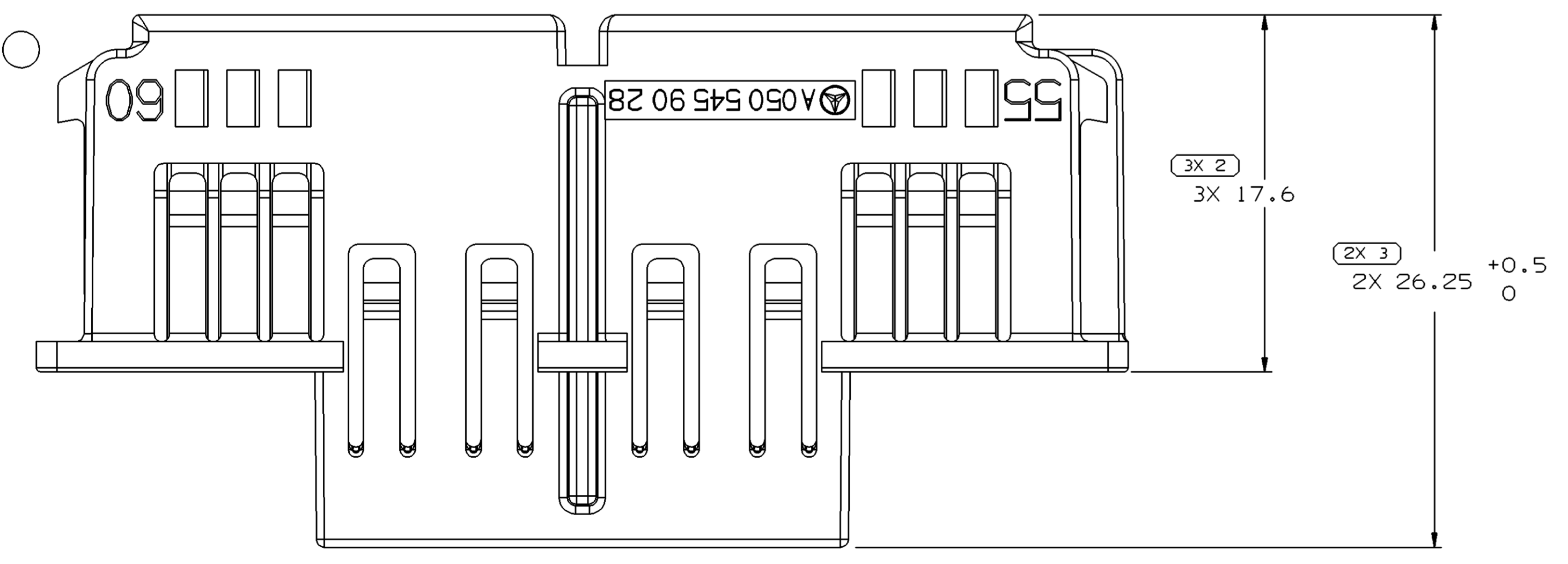
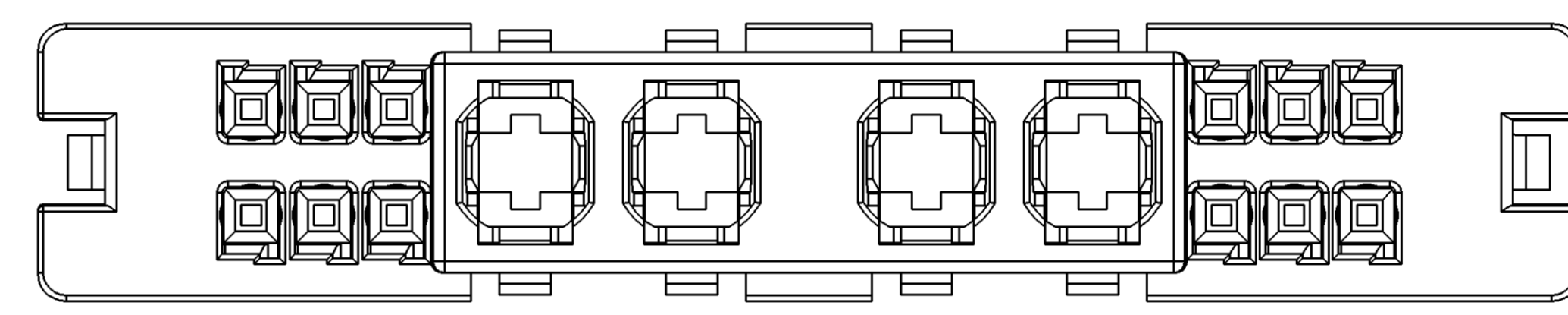
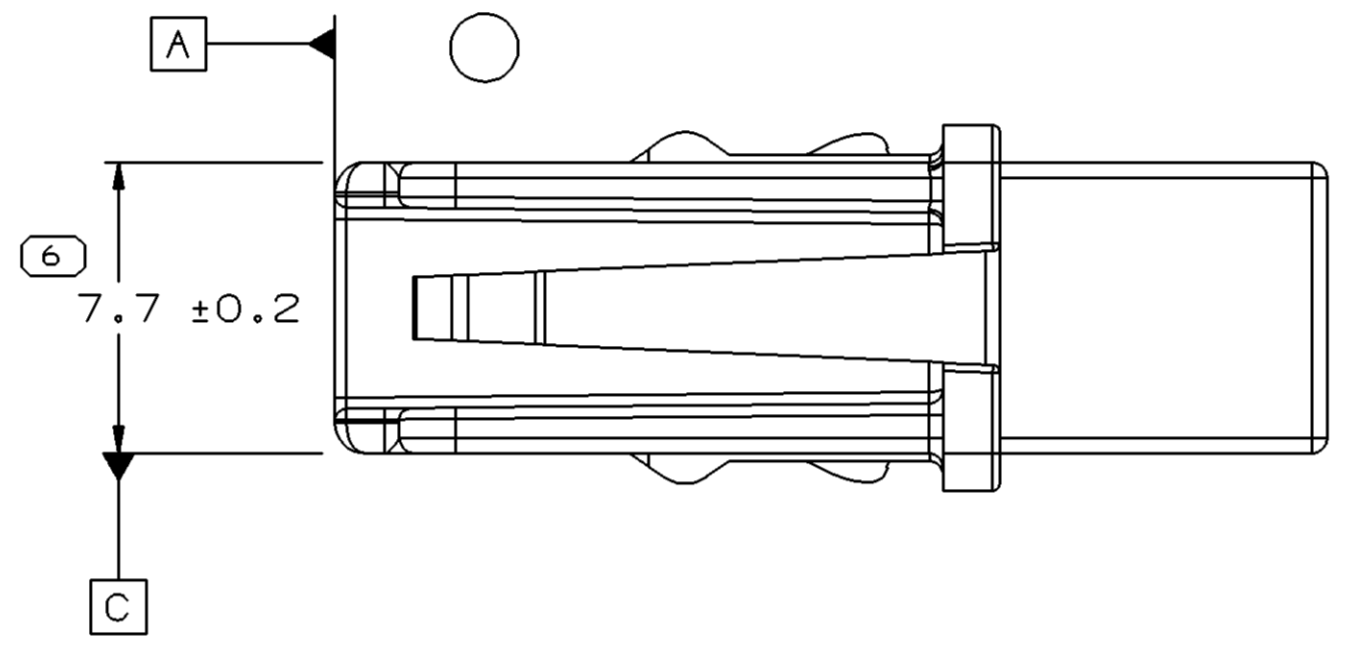
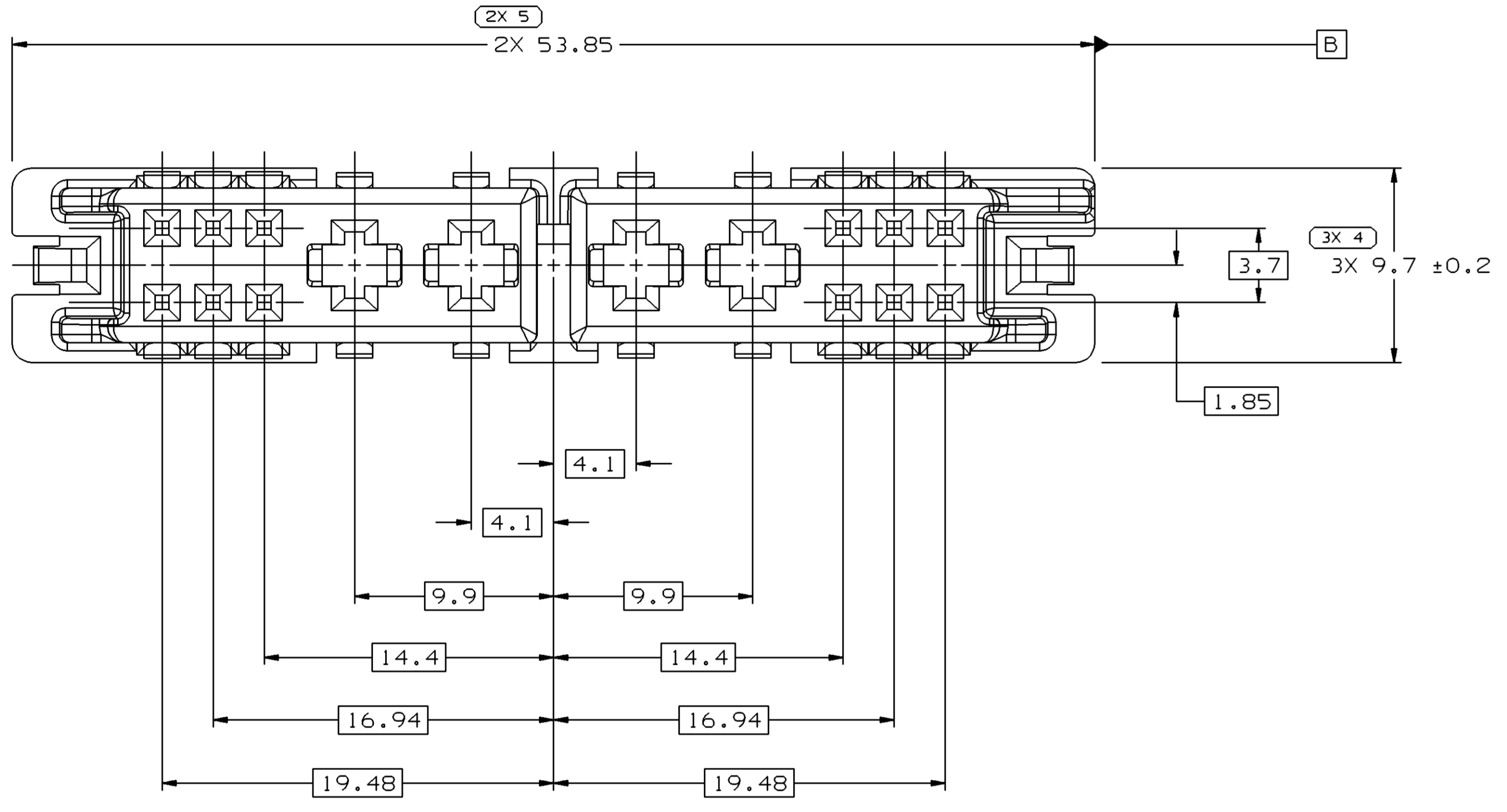
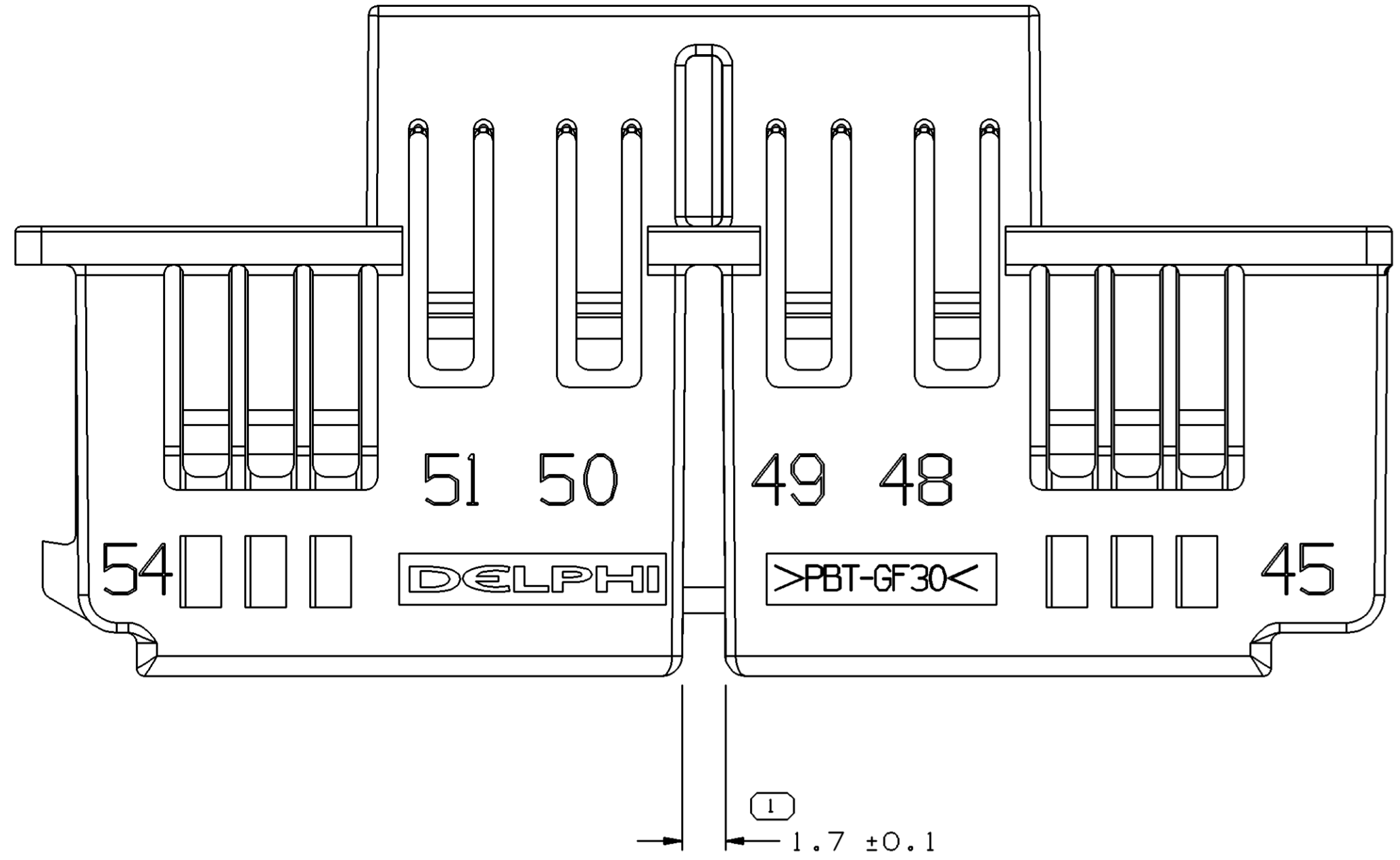
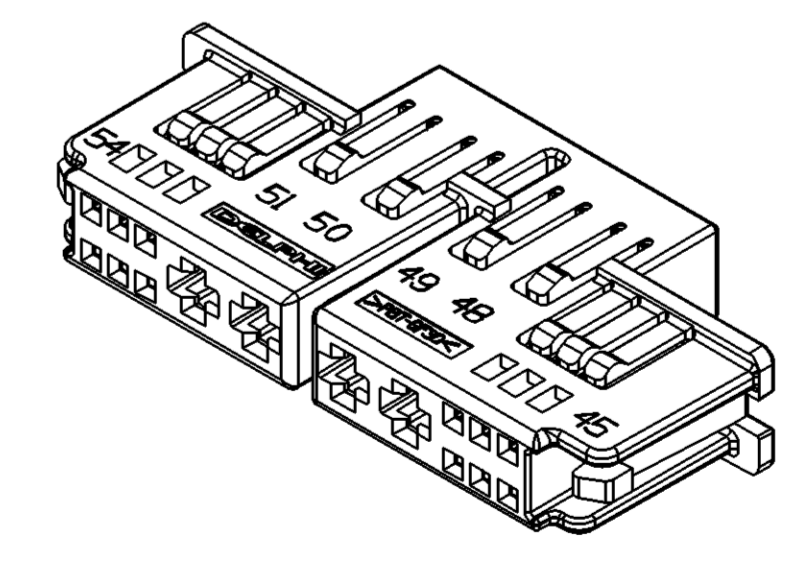


SYMBOL DEFINITION		TOTAL NO OF INSPECTIONS REQUIRED		MISSING SYMBOLS	
A	DIMENSION WITHOUT AN INSPECTION REPORT SYMBOL DOES NOT REQUIRE INSPECTION. IT MAY BE CONTROLLED ON THE INDIVIDUAL COMPONENT DRAWING.	12		NO MISSING SYMBOL NUMBER	
		LAST NO. USED	6		

DWO STATUS							REVISION HISTORY				AUTH			
DATE	STG	REV	N/P	CHG	ZONE							DR	APVD	APVD
24FE03	R	01	-	-		WAS PE107B39 AND RELEASED	236625	AMG	AMG	JCH				
04DE03	R	02	-	-		REVISED MATERIAL SAVERS	249497	LLJ	LLJ	JCH				
16MR04	R	03	-	-		REVISED - MODEL	253034	JEB	JEB	JH				
11JN04	R	03	AA	-		REVISED DIMS #1, #4 & #6	255818	JS	JS	JH				
03JA05	R	04	-	-		UPDATED PDM ATTRIBUTES	261794	ADK	ADK	JCH				
08FE05	R	04	AA	-		REVISED LOCK ARM; REVISED NOTE 4	264541	ADK	ADK	JH				



- NOTES
- UNLESS OTHERWISE SPECIFIED AND/OR INDICATED: DIMENSIONS ARE TO FACE OF VIEW SHOWN AND AUTOMATICALLY ROUNDED BY COMPUTER FOR INSPECTION (SEE MATH MODEL FOR PRECISE DIMENSIONS). FOR ALL OTHER DIMENSIONS NOT SHOWN BUT REQUIRED FOR TOOL BUILD, SEE MATH MODEL FOR PRECISE TOOL PATH DATA
 - MATERIAL RECYCLING CODE PER ISO 11469. (1.0)x(1.0) RAISED CHARACTERS AS SHOWN TO BE LOCATED ON ANY EXTERIOR SURFACE. OPTIONAL CONSTRUCTION TO BE NO MATERIAL RECYCLING CODE.
 - MATING COMPONENTS OR EQUIVALENT: CONNECTOR 15402009
 - THIS PART ACCEPTS THE FOLLOWING COMPONENTS OR EQUIVALENT:
 - TERMINAL AMP MQSO.64 - 15327237
 - TERMINAL AMP MCP2.8 - 15380836
 - (1.0)x(1.0) RAISED DELPHI CORPORATE BRAND TO BE LOCATED ON ANY EXTERIOR SURFACE, PREFERABLY VISIBLE AT FINAL ASSEMBLY. OPTIONAL CONSTRUCTION TO BE "PED" OR NO LOGO.
 - SURFACE FINISH SPI-D3.



VIEW SCALE DOES NOT REFLECT ACTUAL PART SIZE

Lieferung nur nach Zeichnung und/oder CAD-Daten sowie approbierten, maßstabgerechten, digitalen Zeichnungen. Die Fertigung erfolgt ausschließlich auf Basis der Daten. Änderungen sind nur nach Genehmigung durch den CAD-Verantwortlichen möglich. Die Zeichnung ist die verbindliche Grundlage für die Fertigung. Änderungen sind nur nach Genehmigung durch den CAD-Verantwortlichen möglich.	Ab/As of 1998-12-21 neuer Firmenname new company name DaimlerChrysler AG	Mercedes-Benz Sach-Nr./Basic number	System	Format Blatt/Sheet
--	---	-------------------------------------	--------	--------------------

DIMENSIONAL RANGE (MM)	CHART ET
FROM > 0	> 20
TO > 20	> 30
> 30	> 70
> 70	> 100
> 100	> 150
> 150	> 200
> 200	> 250
> 250	> 300
> 300	> 400

DWO TYPE		PART DRAWING	
STYLE	VOLUME (COP)	DISTR CODE	
	4,770	D	
UNLESS OTHERWISE SPECIFIED			
THIS DOCUMENT IS IN ACCORDANCE WITH ASME Y14.5M-1994 AS AMENDED BY THE 2003 DIMENSIONING AND TOLERANCING ADDENDUM - 1997. ALL DIMENSIONS ARE IN MILLIMETERS UNLESS OTHERWISE SPECIFIED. DIMENSIONS ENCLOSED IN () INDICATE REFERENCE DIMENSIONS AND NO TOLERANCE LIMITS ARE ESTABLISHED.			
THIRD ANGLE PROJECTION	DO NOT SCALE	USE MATH DATA	

DELPHI
DELPHI PACKARD ELECTRIC SYSTEMS
WARREN, OH

DR	DATE
APVD1 ANDRES MENDEZ	24FE03
APVD2 ANDRES MENDEZ	24FE03
APVD3 J.C. HOBBS	18MR03
APVD4	
APVD5	

MATERIAL: M2350001 PBT-GF30 NAT

DRAWING NAME: CONN 16 F NAT

DRAWING NUMBER: 15444562

SIZE	SCALE	FRAME NO	SHEET NO	STG	REV	N/P
A0	5:1	1	1	1	1	04