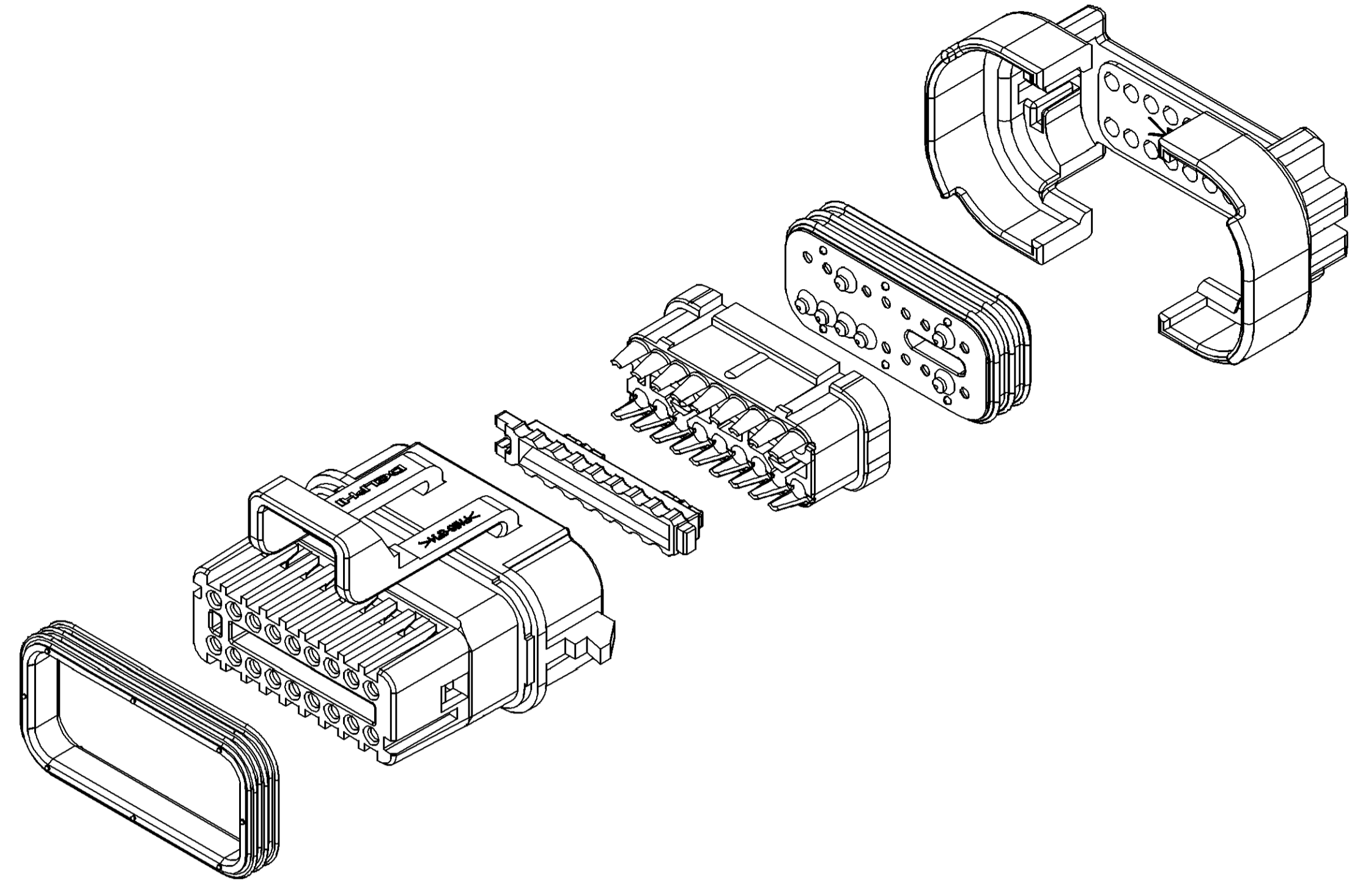
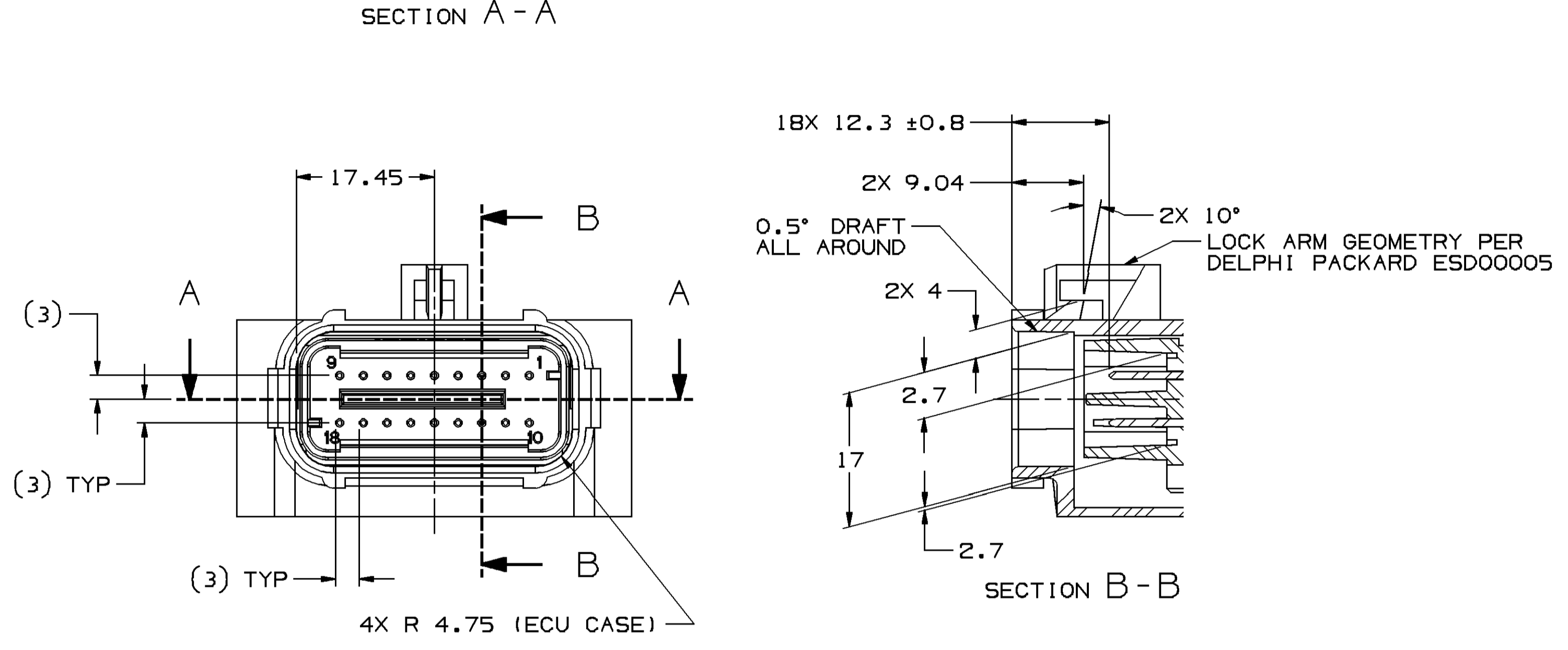
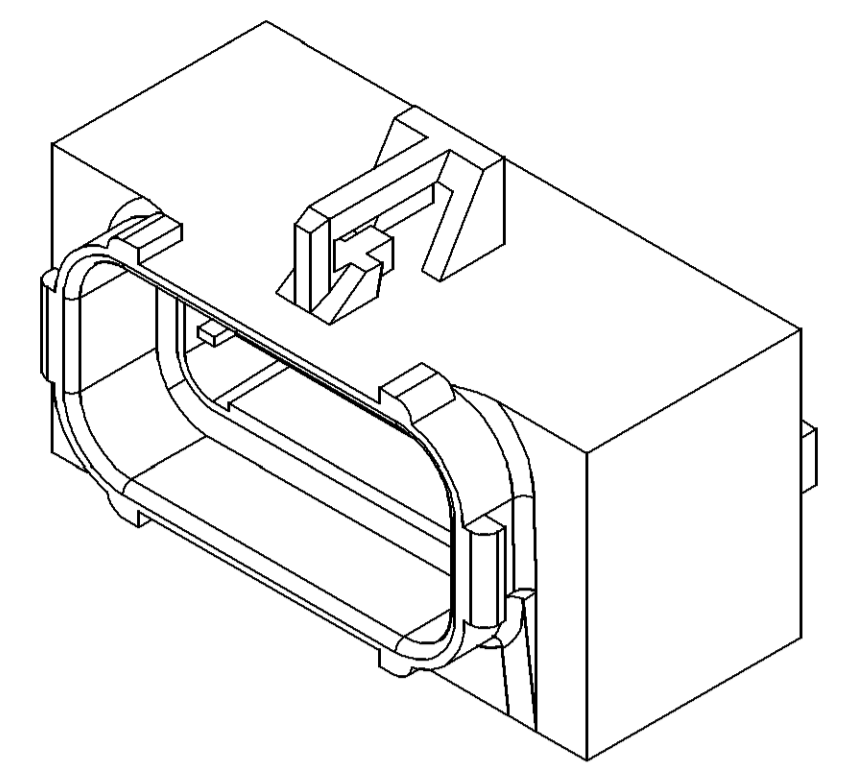
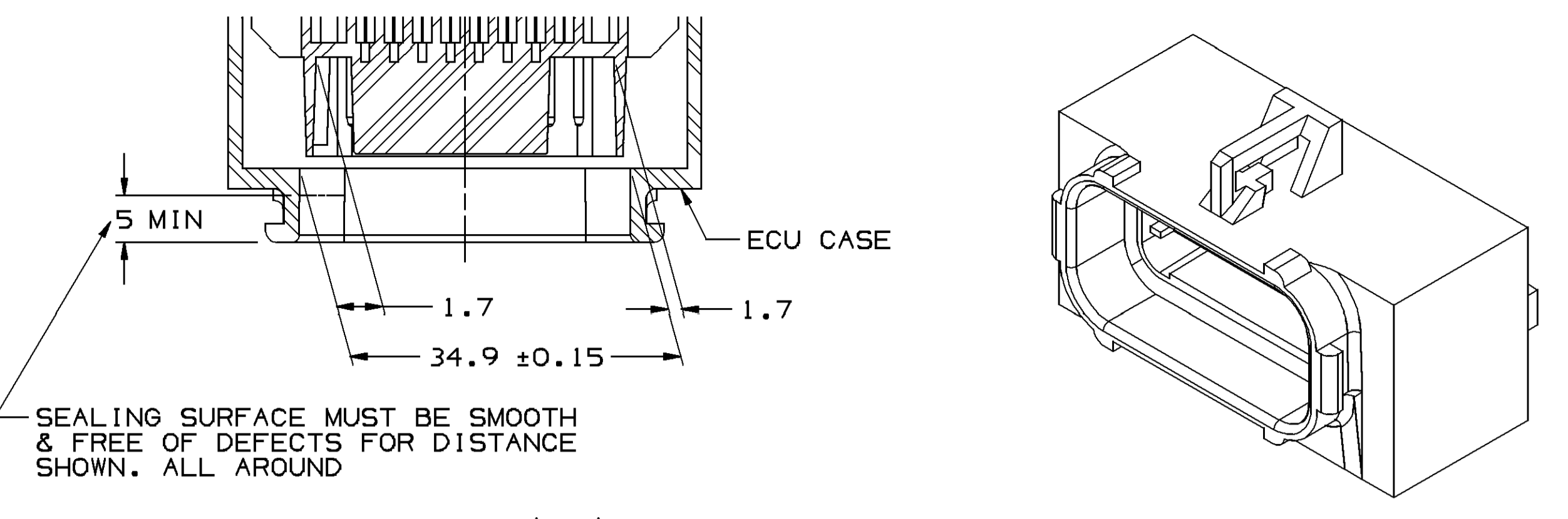
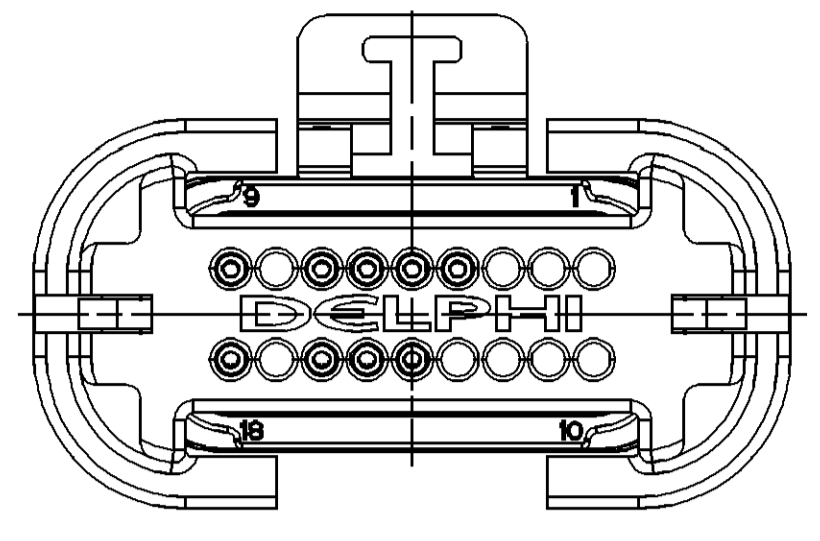


SYMBOL DEFINITION		TOTAL NO OF INSPECTIONS REQUIRED		MISSING SYMBOLS	
A DIMENSION WITHOUT AN INSPECTION REPORT SYMBOL DOES NOT REQUIRE INSPECTION. IT MAY BE CONTROLLED ON THE INDIVIDUAL COMPONENT DRAWING.		10		NO MISSING SYMBOL NUMBER	
		LAST NO. USED		10	

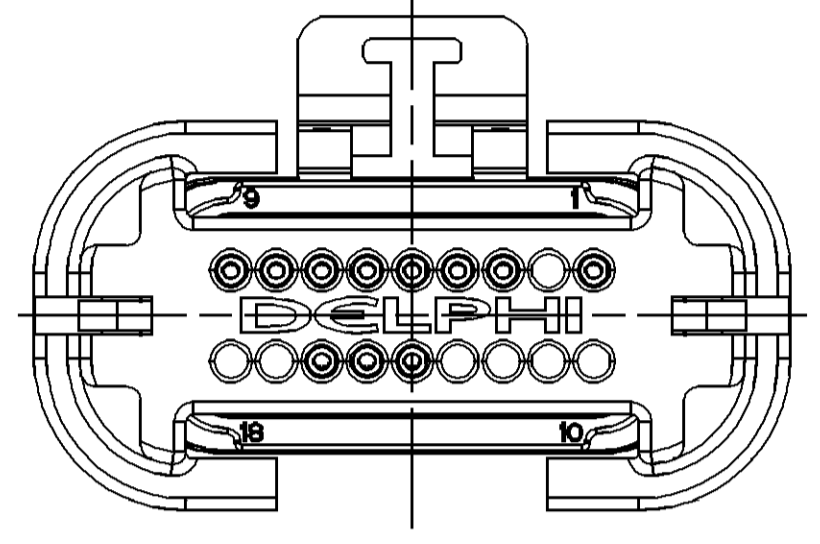
DATE		STG	REV	N/P	CHG	ZONE	REVISION HISTORY		AUTH	DR	AP/D	AP/D
07.N02	-	02	-	-	-	-	CLEARED REVISION COLUMN CHANGED TOOLS ON DIM 3 - ±1 WAS ±0.8 AND DIM 6 - ±0.75 WAS ±0.0/-1.5		226553	LMB	LMB	BR
08AU02	R	03	-	-	-	-	15437956-58 - RELEASED		228603	JHN	JAA	AMK
25SE02	R	04	-	-	-	-	ADDED DIMS #7, #8, #9 AND SECTION C-C AND REVISED MATING PART INFORMATION		230931	TLD	TLD	AMK
24JA03	R	05	-	-	-	-	15437956 - UPDATED PART & TYPE 103 VIEW		235717	EES	EES	AMK
28JA03	R	06	-	-	-	-	15452978-01 - ADDED, REVISED MATING PART INFORMATION, 15431682, 15431683, 15437956, 15437957, & 15437959 - REVISION LEVEL NOW 02. WAS 01. (COMPONENT 15424867 WAS REVISED).		235973	LMB	LMB	BR
31JA03	R	07	-	-	-	-	ADDED NOTE # 2.		236377	AKJ	AKJ	RWR
12FE03	R	08	-	-	-	-	15460299 - RELEASED; ALL PARTS - REVISED NOTE # 2		236497	JAA	JAA	AMK
10MR03	R	09	-	-	-	-	15431682-REVISED CHART, CABLE SEAL WAS 15431680; 15431683-REVISED CHART, CABLE SEAL WAS 15431681		237410	CJP	CJP	PD
06.N03	R	10	-	-	-	-	15472513 - RELEASED; ALL PARTS - NOTE #2 WAS FEMALE TERMINAL 15305314		241770	TLD	TLD	PD
14OC03	R	11	-	-	-	-	15480013 - RELEASED		246550	CJP	CJP	PD
09SE04	R	12	-	-	-	-	13510845 - RELEASED; ALL PARTS - ADDED NOTES 3 & 4		258548	MLM	MLM	PDM
20MY05	R	13	-	-	-	-	13530105 - RELEASED		268207	RTV	JVM	PMD
04JL05	R	14	-	-	-	-	13534128 - RELEASED		269638	RTV	FRG	PYP
02MR06	R	15	-	-	-	-	13534128 - OBSOLETE		278030	JBD	JVM	EEM
21MR06	R	16	-	-	-	-	15480013 - OBSOLETE		278493	JTZ	JAA	EEM
31MY07	R	17	-	-	-	-	ADD CUSTOMER NOTE		401584	WHC	WHC	RWR



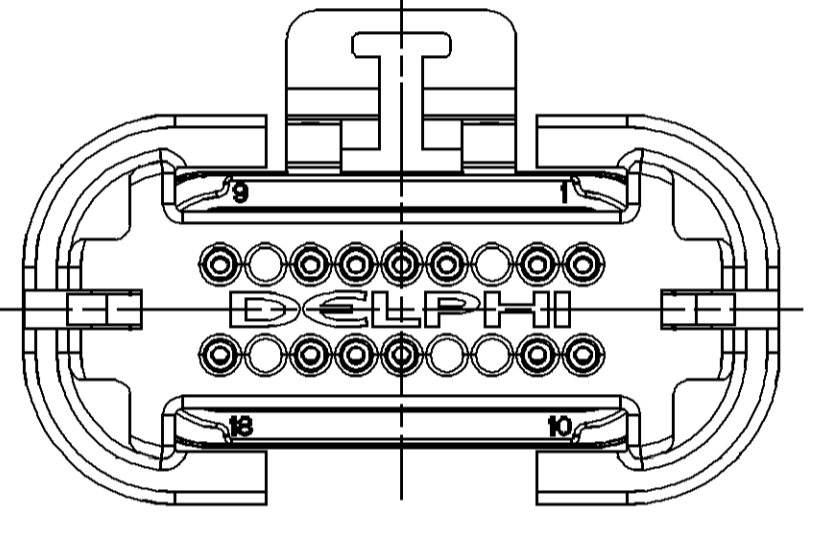
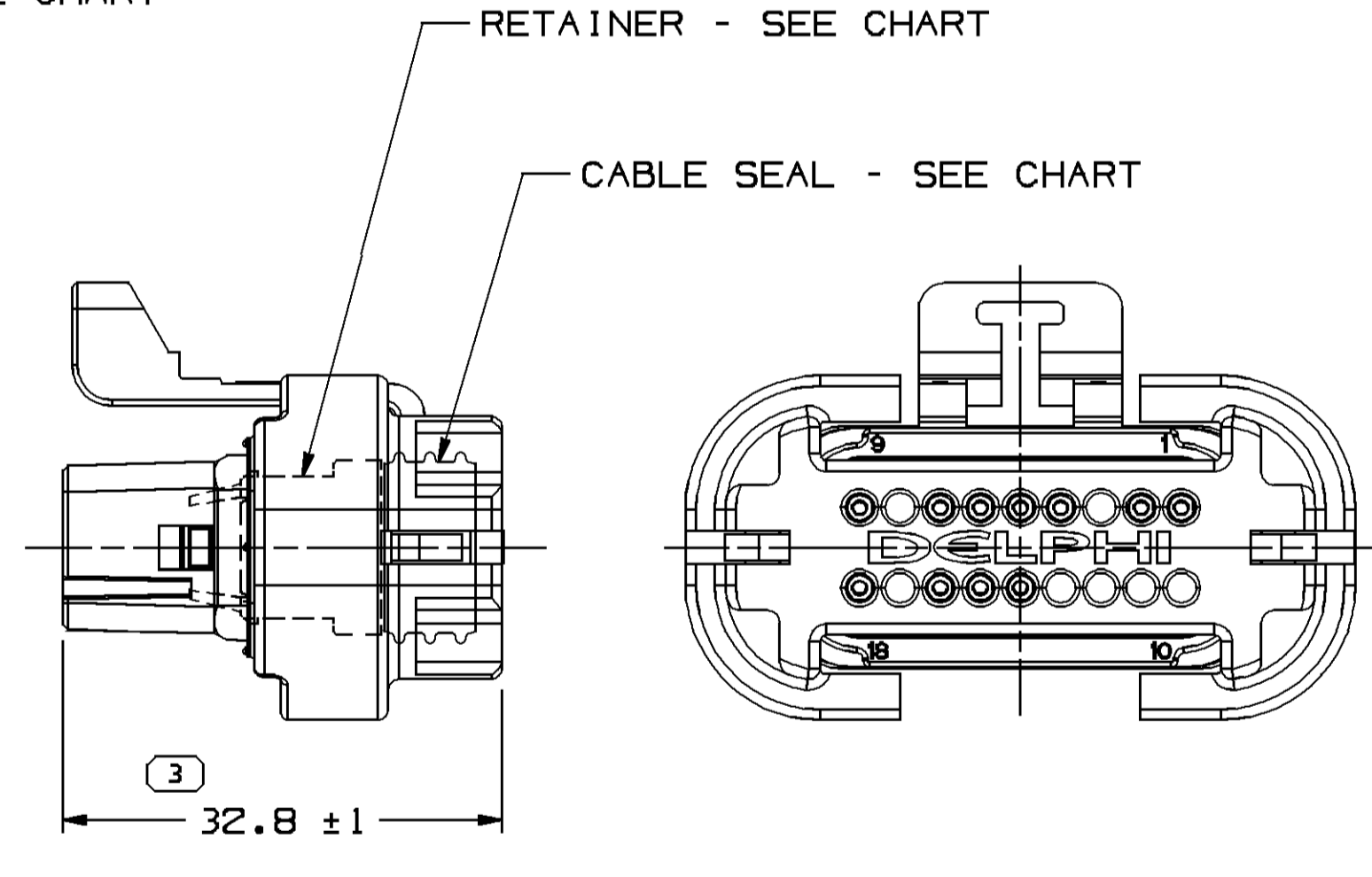
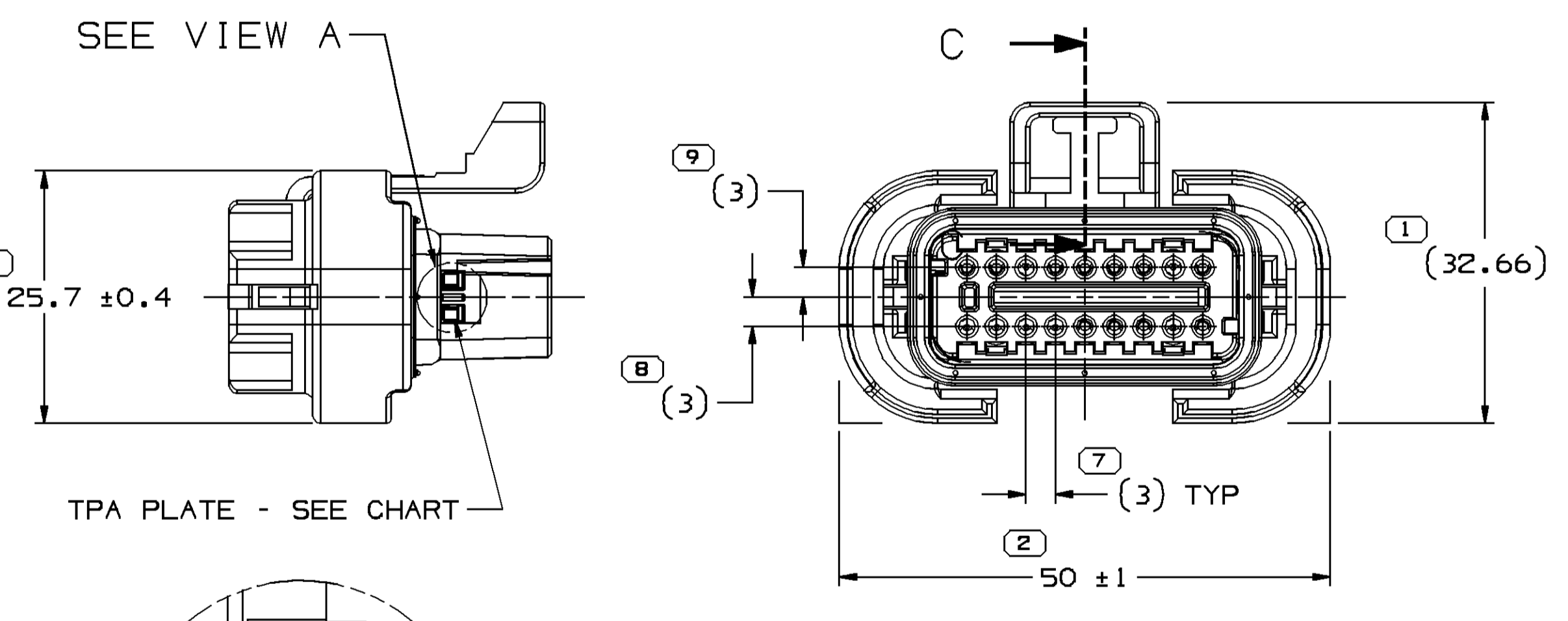
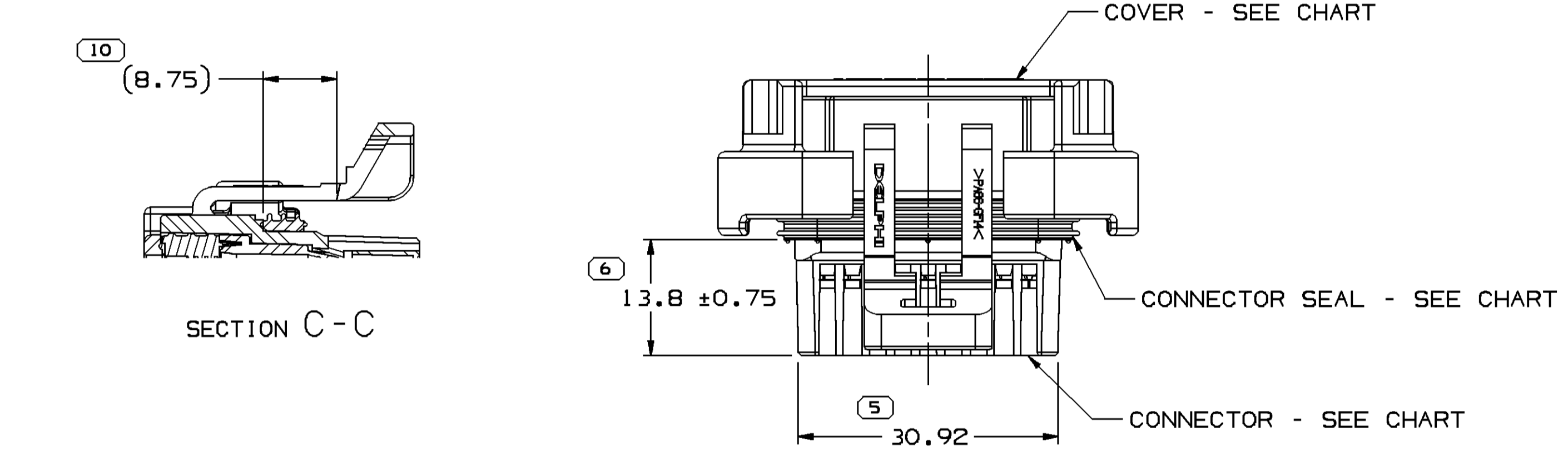
EXPLODED ASSEMBLY VIEW



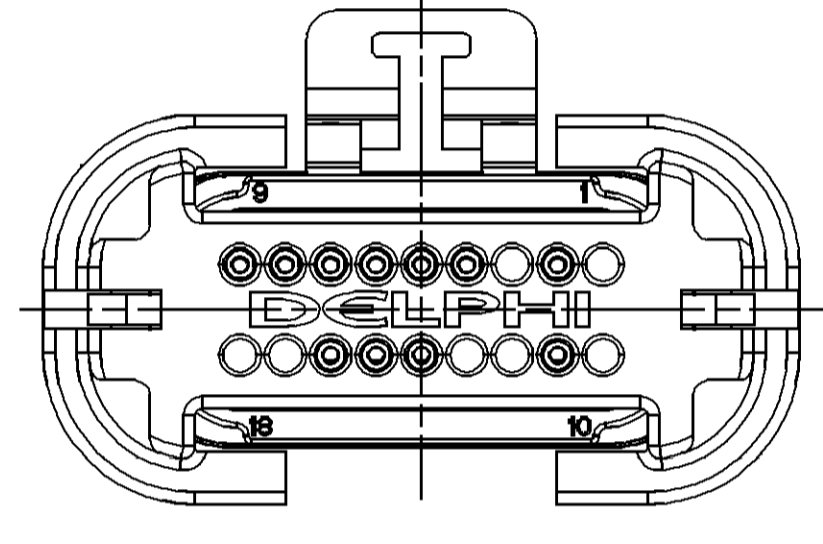
TYPE 108
SAME AS TYPE 101
EXCEPT AS SHOWN



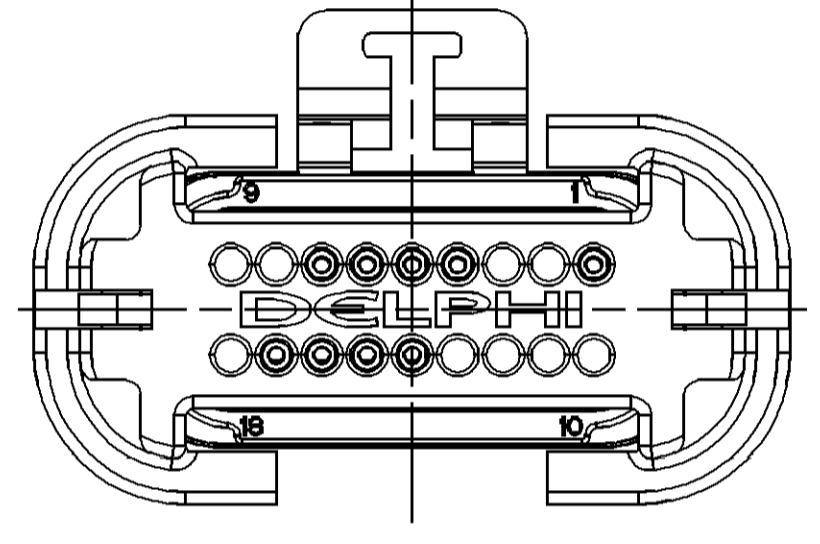
TYPE 109
SAME AS TYPE 101
EXCEPT AS SHOWN



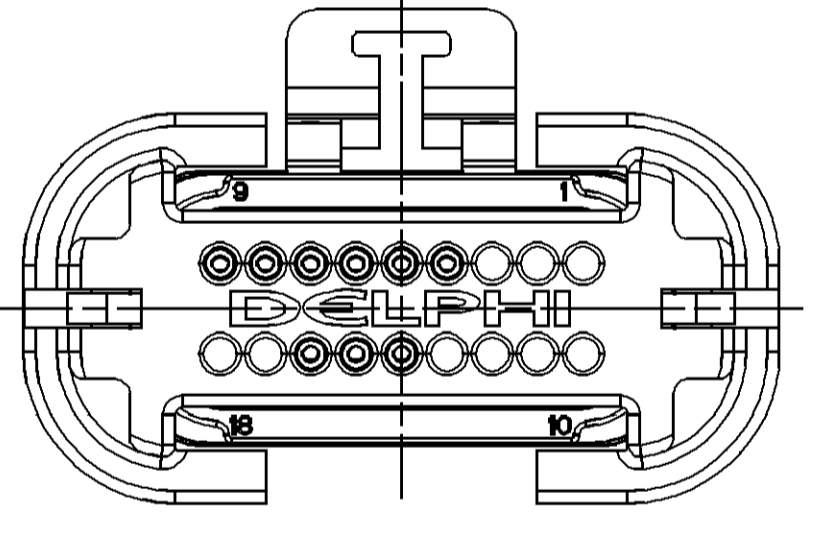
TYPE 102
SAME AS TYPE 101
EXCEPT AS SHOWN



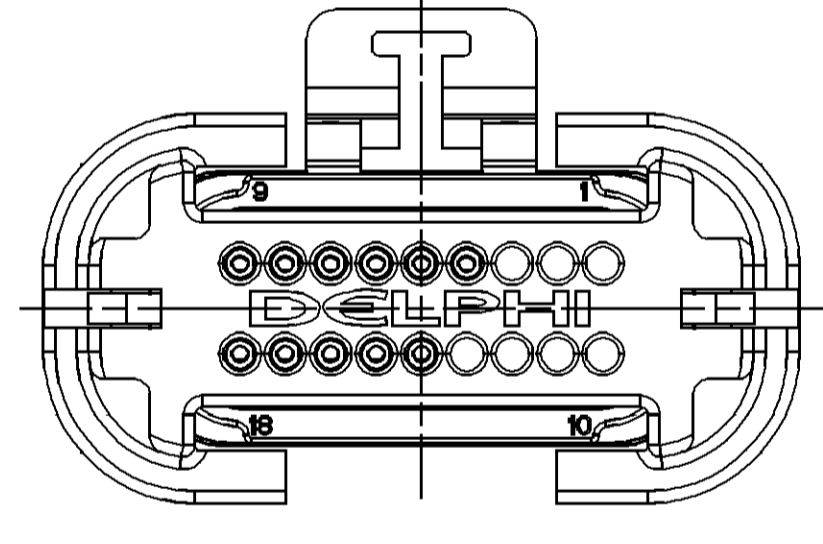
TYPE 105
SAME AS TYPE 101
EXCEPT AS SHOWN



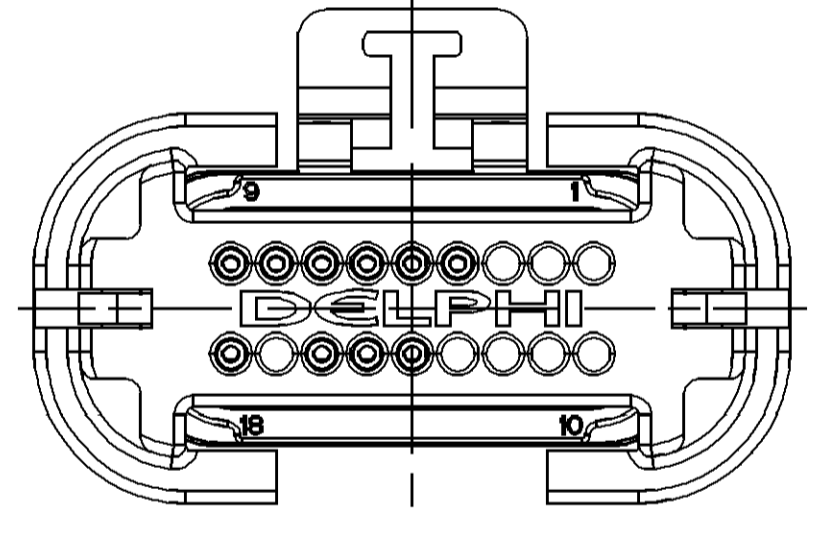
TYPE 110
SAME AS TYPE 101
EXCEPT AS SHOWN



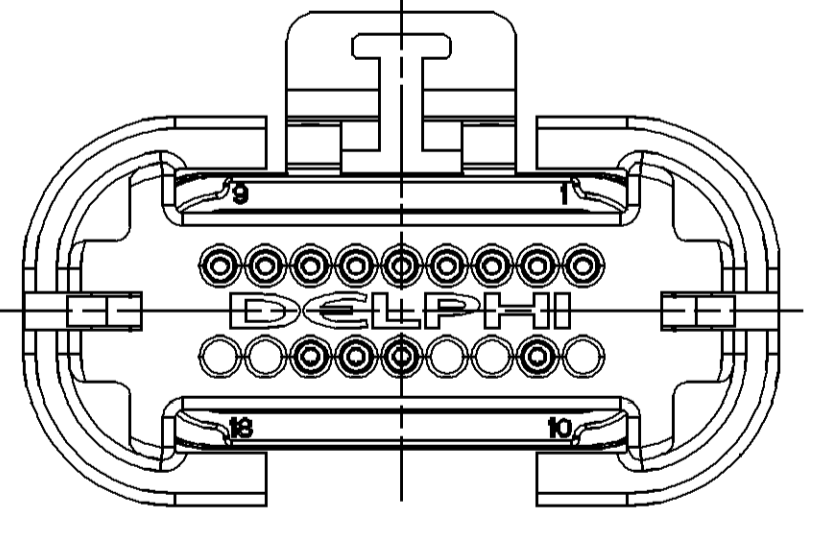
TYPE 103
SAME AS TYPE 101
EXCEPT AS SHOWN



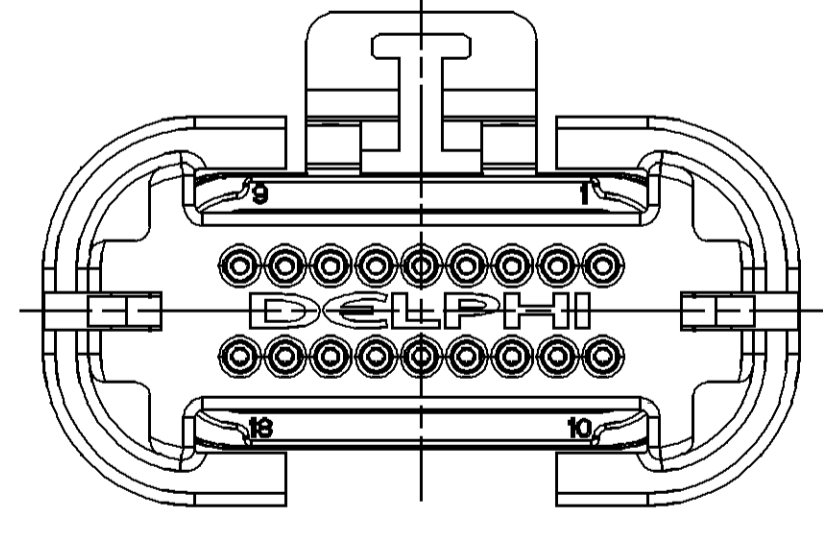
TYPE 106
SAME AS TYPE 101
EXCEPT AS SHOWN



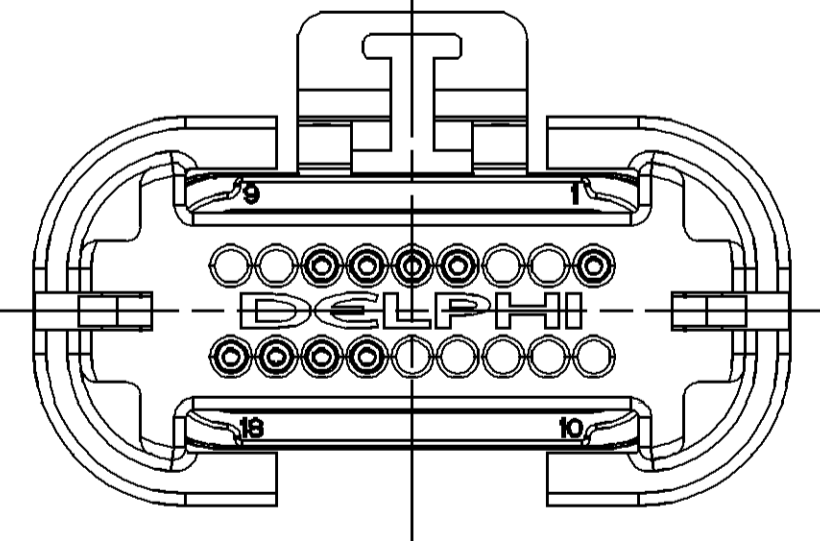
TYPE 111
SAME AS TYPE 101
EXCEPT AS SHOWN



TYPE 104
SAME AS TYPE 101
EXCEPT AS SHOWN



TYPE 107
SAME AS TYPE 101
EXCEPT AS SHOWN



TYPE 112
SAME AS TYPE 101
EXCEPT AS SHOWN

- NOTES
- UNLESS OTHERWISE SPECIFIED AND/OR INDICATED: DIMENSIONS ARE TO FACE OF VIEW SHOWN AND AUTOMATICALLY ROUNDED BY COMPUTER FOR INSPECTION (SEE MATH MODEL FOR PRECISE DIMENSIONS). FOR ALL OTHER DIMENSIONS NOT SHOWN BUT REQUIRED FOR TOOL BUILD, SEE MATH MODEL FOR PRECISE TOOL PATH DATA.
 - THESE CONNECTORS ACCEPT THE FOLLOWING COMPONENTS: FEMALE TERMINAL 15435885 OR EQUIVALENT; CONNECTOR POSITION ASSURANCE LOCK 15318055
 - ASSEMBLY TO BE USED WITH APPROPRIATE DELPHI PACKARD ELECTRIC SYSTEMS HOLDER DESIGN.
 - ASSEMBLY TO BE PROCESSED USING DELPHI PACKARD ELECTRIC SYSTEMS BEST PRACTICE METHODS, AND/OR CONNECTOR ASSEMBLY INSTRUCTIONS, AND APPLICABLE REPAIR PROCEDURES.

○ INDICATES CLOSED CAVITY

CUSTOMER NOTE:
LOCK FINGERS (LOCATED ON SIDE OF CONNECTOR BODY) ARE A "CONNECTOR ASSEMBLY AID" USED TO TEMPORARILY POSITION THE TPA PLATE DURING CONNECTOR BUILD-UP. THEY DO NOT NEED TO BE FUNCTIONAL AT HARNESS BUILD OR THEREAFTER.

PART NO	REV	N/P	TYPE	STATUS	CONNECTOR	RETAINER	COVER	TPA PLATE	CONNECTOR SEAL	CABLE SEAL	OPEN CAVITIES
13534128	01	AB	112	OBSOLETE	15424867	15425579	15425577	15425581	15430737	13534129	1,4,5,6,7,15,16,17,18
13530105	01	AA	111	-	15424867	15425579	15425577	15425581	15430737	15491246	4,5,6,7,8,9,14,15,16,18
13510845	01	AA	110	-	15424867	15425579	15425577	15425581	15430737	15476742	1,4,5,6,7,14,15,16,17
15480013	01	AB	109	OBSOLETE	15424867	15425579	15425577	15425581	15430737	15480012	1,3,4,5,6,7,8,9,14,15,16
15472513	01	AB	108	-	15424867	15425579	15425577	15425581	15430737	15472512	4,5,6,7,9,14,15,16,18
15460299	01	AC	107	-	15424867	15425579	15425577	15425581	15430737	15445953	1,2,3,4,5,6,7,8,9,10,11,12,13,14,15,16,17,18
15452978	01	AD	106	-	15424867	15425579	15425577	15425581	15430737	15447999	4,5,6,7,8,9,14,15,16,17,18
15437958	02	AD	105	-	15424867	15425579	15425577	15425581	15430737	15439425	2,4,5,6,7,8,9,11,14,15,16
15437957	02	AD	104	-	15424867	15425579	15425577	15425581	15430737	15439422	1,2,3,4,5,6,7,8,9,11,14,15,16
15437956	02	AD	103	-	15424867	15425579	15425577	15425581	15430737	15439421	4,5,6,7,8,9,14,15,16
15431683	03	AC	102	-	15424867	15425579	15425577	15425581	15430737	15439463	1,2,4,5,6,7,9,10,11,14,15,16,18
15431682	03	AC	101	-	15424867	15425579	15425577	15425581	15430737	15439462	1,2,4,5,6,7,9,14,15,16,18

DIMENSIONAL RANGE (MM)	CHART	ET
FROM > 0	> 30	> 100
TO 20	30	70
	70	100
	100	150
	150	200
	200	250
	250	300
	300	400

THIRD ANGLE PROJECTION	DO NOT SCALE	USE MATH DATA

DELPHI
DELPHI PACKARD ELECTRICAL/ELECTRONIC ARCHITECTURE
WVREN, OH

DR	DATE
DR ANAND JAGANATHAN	20MR02
APV01 ANAND JAGANATHAN	20MR02
APV02 ANAND JAGANATHAN	20MR02
APV03 ROBERT RIMKO	20MR02
APV04	
APV05	

UNLESS OTHERWISE SPECIFIED
THIS DOCUMENT IS IN ACCORDANCE WITH ASME Y14.5M-1994
AS AMENDED BY THE 2003 DIMENSIONING AND TOLERANCE
PRACTICE (ASME Y14.5M-2003). ALL DIMENSIONS UNLESS
OTHERWISE SPECIFIED ARE IN MILLIMETERS. DIMENSIONS
AND RELATED DATUM APPLICABLE. RULE #1 (PERFECT FORM AT
MMC DOES NOT APPLY) RELATIONSHIP BETWEEN FEATURES
IS ESTABLISHED BY ORIENTATION OR LOCATION TOLERANCES.
SEPARATE POSITION CALLOUTS MAY BE DATED SEPARATELY.
REGARDLESS OF DATUM REFERENCE.
ALL DIMENSIONS ARE IN MILLIMETERS.

DRAWING NAME: TAXI ASM CONN F MIC/P 100W SLD MODULAR
DRAWING NUMBER: 15433812

SCALE	FRONT VIEW	SHEET NO	TOTAL SHEETS	REV	N/P
2:1	1 OF 1	1 OF 1	1	R	17