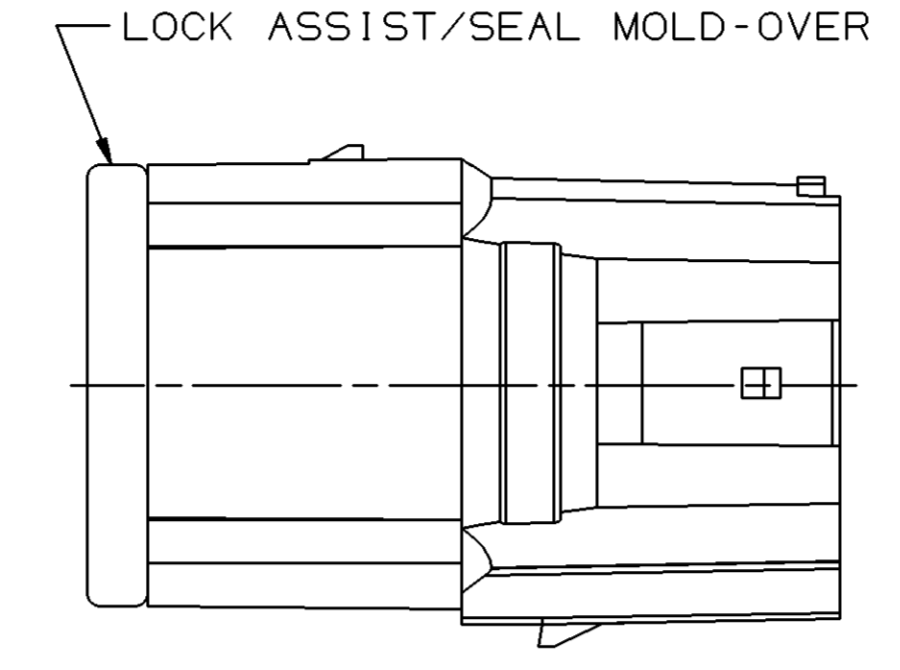
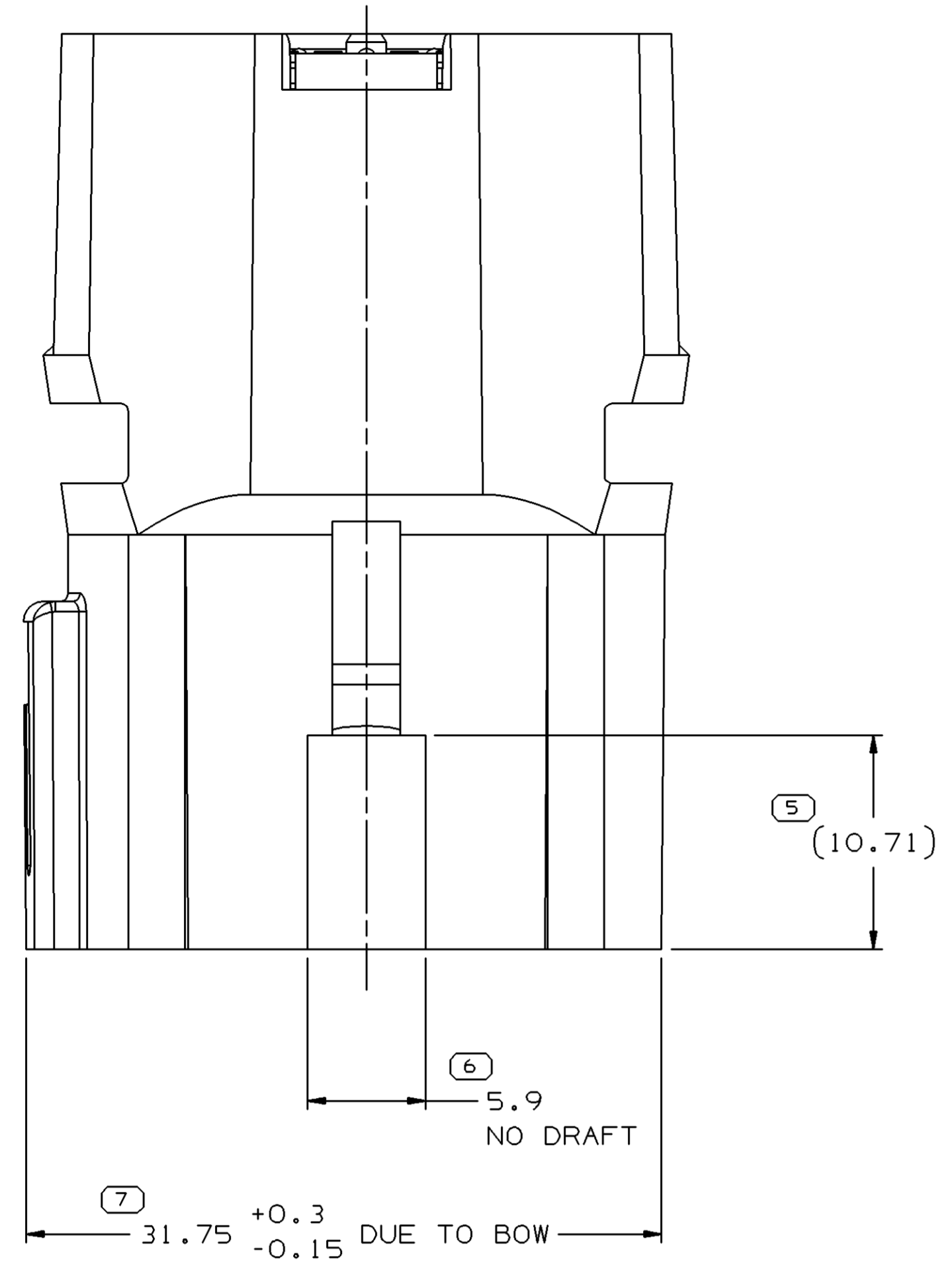
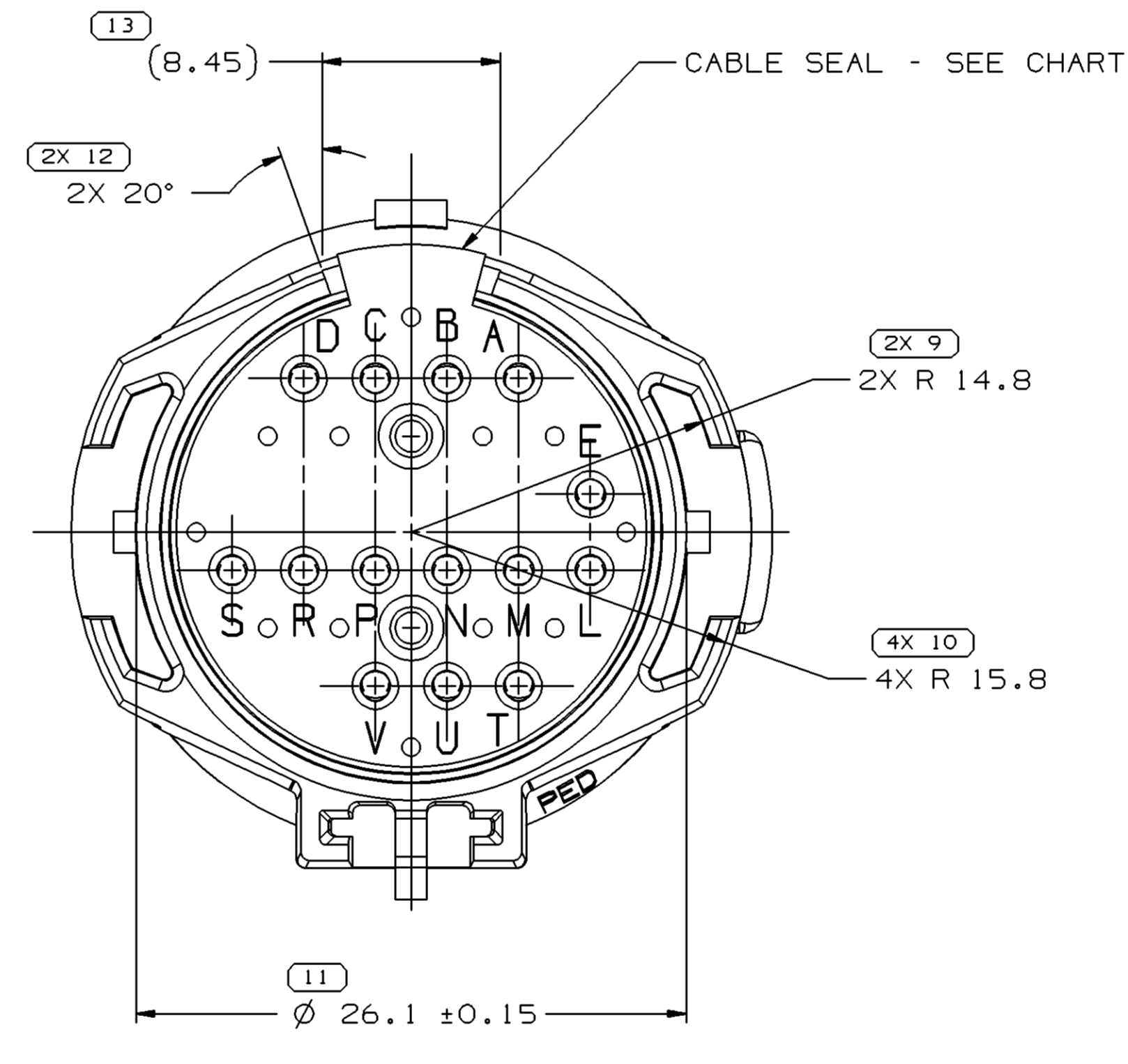
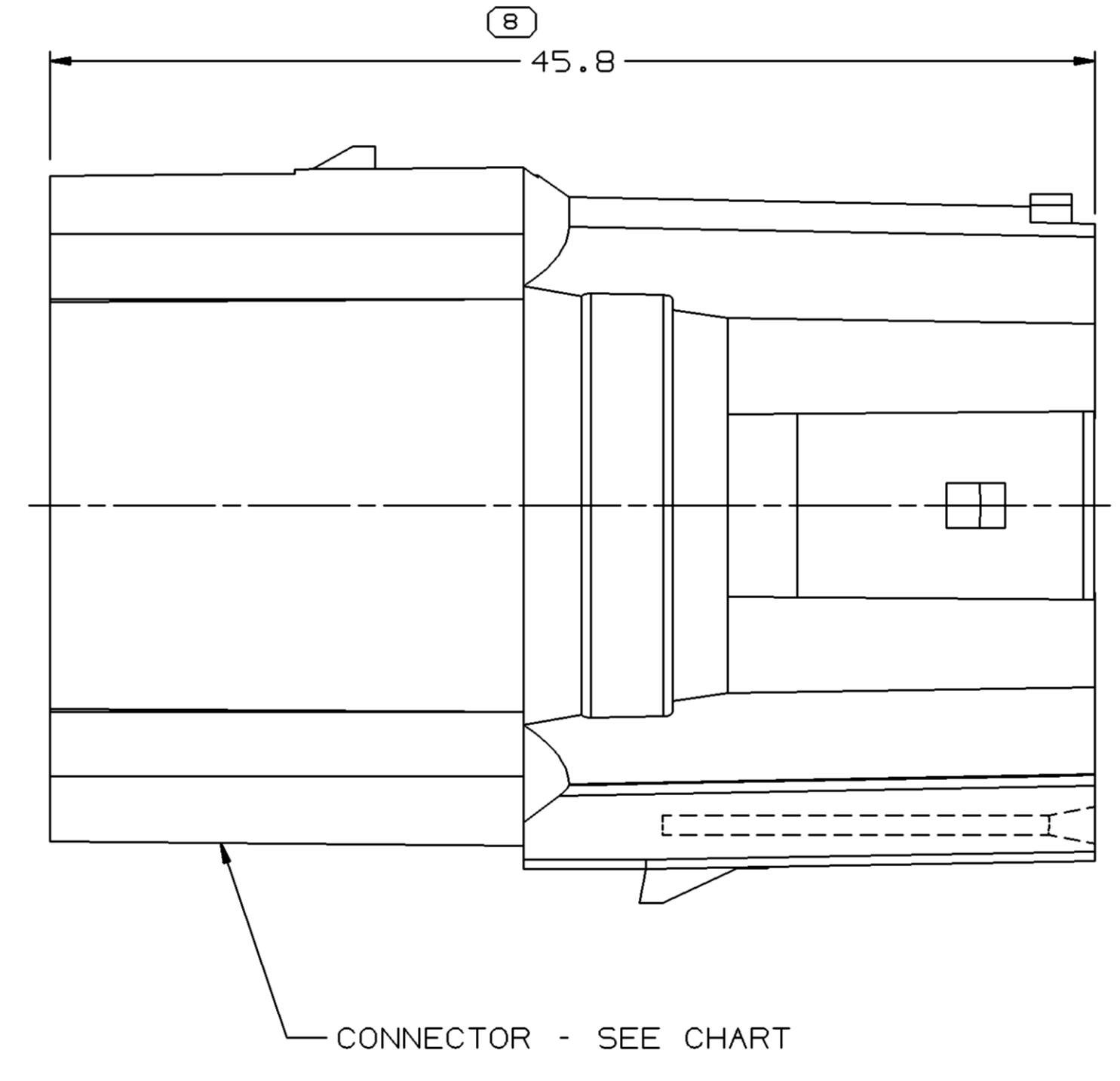
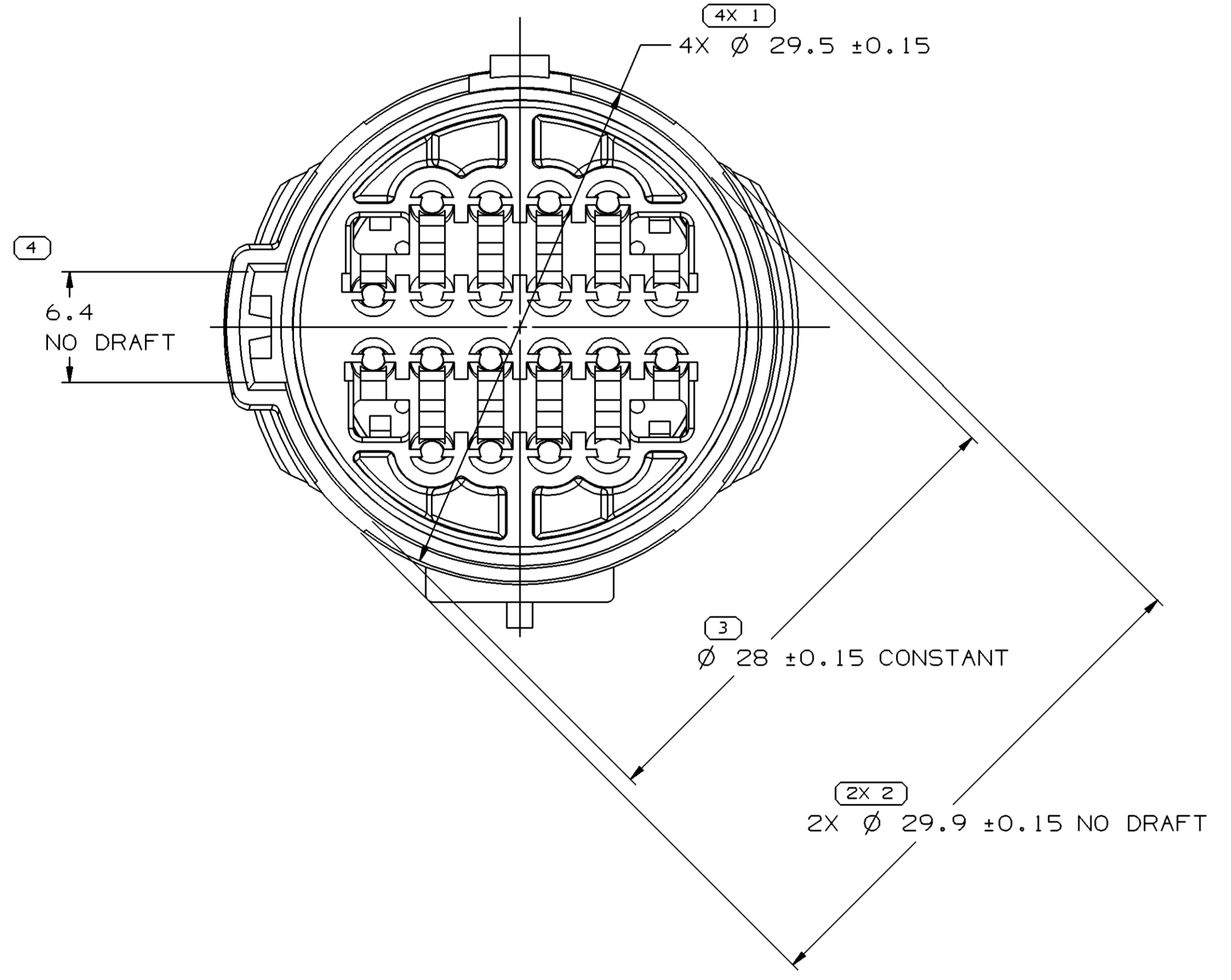


SYMBOL DEFINITION		MISSING SYMBOLS	
A DIMENSION WITHOUT AN INSPECTION REPORT SYMBOL DOES NOT REQUIRE INSPECTION. IT MAY BE CONTROLLED ON THE INDIVIDUAL COMPONENT DRAWING.	TOTAL NO OF INSPECTIONS REQUIRED	NO MISSING SYMBOL NUMBER	
	22		
	LAST NO. USED		
	13		

DWO STATUS					REVISION HISTORY			AUTH	DR	APVD	APVD	
DATE	STG	REV	N/P	CHG	ZONE	Cleared Revision Column: 15439131 - RELEASED			226951	TLD	1	2
16JUL02	R	02	-	-		15463452 - RELEASED			254641	JTZ	JVM	CD
13MY04	R	03	-	-								

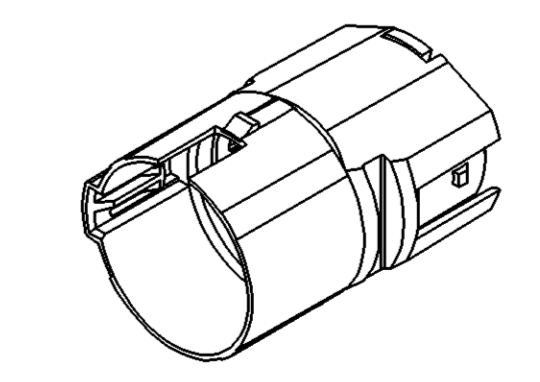


CONNECTOR & SEAL ASM WITH LOCK ASSIST/SEAL MOLD-OVER IN LOCKED POSITION
SCALE 2:1



NOTES

- UNLESS OTHERWISE SPECIFIED AND/OR INDICATED: DIMENSIONS ARE TO FACE OF VIEW SHOWN AND AUTOMATICALLY ROUNDED BY COMPUTER FOR INSPECTION (SEE MATH MODEL FOR PRECISE DIMENSIONS). FOR ALL OTHER DIMENSIONS NOT SHOWN BUT REQUIRED FOR TOOL BUILD, SEE MATH MODEL FOR PRECISE TOOL PATH DATA.
- CAVITIES TO ACCEPT 12110532 TERMINAL OR EQUIVALENT.
- THIS CONNECTOR TO ACCEPT LOCK ASSIST/SEAL MOLD-OVER 12146394 OR EQUIVALENT.
- MATING COMPONENTS: CONNECTOR 12160280 OR EQUIVALENT
- WHEN PARTS ARE SHIPPED, THEY MUST BE PACKED IN PLASTIC BAGS OR SHIPPING CONTAINERS MUST BE LINED WITH PLASTIC LINERS, BAGS OR LINERS MUST BE SEALED TO AVOID ENTRY OF FOREIGN MATTER.
- THIS PART NOT DESIGNED FOR USE WITH RIPCORD OR RIBBED CABLE.
- SEALING CODE 3 - DESIGN WILL PASS SALT FOG AND IMMERSION TEST AFTER CONDITIONING AS SPECIFIED IN ESA-644 (WEATHER-PACK), ESA-710 (METRI-PACK), ESA-650 (UNDERHOOD MICRO-PACK), C-4006 (WORLD CONNECTOR), ETC WHEN MATED TO MATING PART OR EQUIVALENT



ASM PART NO	STG	REV	N/P	STATUS	CONNECTOR PART NO	CABLE SEAL PART NO	NO. OF CAVITIES
15463452	R	01			12160542 (GRAY)	15463453 (WHITE)	17
15439131	R	001			12160542 (GRAY)	15438259 (BLUE)	16
15317834	R	A1			12160542 (GRAY)	15317833 (AQUA)	18
12186608	R	A1		OBSOLETE	12160542 (GRAY)	12177102 (RUST)	20
12191767	R	A1		OBSOLETE	12160542 (GRAY)	12191760 (BROWN)	20
12191766	R	A1		OBSOLETE	12160542 (GRAY)	12191759 (DK. GRAY)	16
12191765	R	A2			12160542 (GRAY)	12191241 (PURPLE)	14
12191742	R	A2			12160542 (GRAY)	12191738 (NATURAL)	14
12160545	R	A2			12160542 (GRAY)	12110829 (BLUE)	14
12160544	R	A2			12160542 (GRAY)	12110693 (GREEN)	14

FROM	TO	TOLERANCE	CHART
> 0	> 20	± 0.15	1
> 20	> 30	± 0.2	2
> 30	> 70	± 0.3	3
> 70	> 100	± 0.4	4
> 100	> 150	± 0.5	5
> 150	> 200	± 0.6	6
> 200	> 250	± 0.8	7
> 250	> 300	± 1	8
> 300	> 400	± 1.2	9

DWO TYPE		PART DRAWING	
STYLE		DISTR CODE	D
VOLUME (COP)	6900		
UNLESS OTHERWISE SPECIFIED			
THIS DOCUMENT IS IN ACCORDANCE WITH ASME Y14.5M-1994 AS AMENDED BY THE 2003 DIMENSIONING AND TOLERANCING ADDENDUM - 1997. ALL GEOMETRIC TOLERANCES AND RELATED SURFACE APPLICABLE. IF PERFECT FORM IS NOT APPLICABLE, THE RELATIONSHIP BETWEEN FEATURES IS ESTABLISHED BY ORIENTATION OR LOCATION TOLERANCES. SEPARATE POSITION DIMENSIONS MAY BE GAGED SEPARATELY, REGARDLESS OF DATUM REFERENCE.			
ALL DIMENSIONS ARE IN MILLIMETERS			
REFERENCE	OO1	THIRD ANGLE PROJECTION	DO NOT SCALE
		USE MATH DATA	

DELPHI
DELPHI PACKARD ELECTRIC SYSTEMS
WARREN, OH

DR	DATE
APVD1 T.E. BEILSTEIN	24MR94
APVD2 T.E. BEILSTEIN	24MR94
APVD3 JOHN MORELLO	25MR94
APVD4	
APVD5	

SUBSTANCES OF CONCERN AND RECYCLED CONTENT PER DELPHI 10949001

MATERIAL SEC. DRAWING

DRAWING NAME: TAXI ASM CONN 20 M MIC/P 100W SLD

DRAWING NUMBER: 12160543

SIZE A0 SCALE 4:1 FRAME NO 1 OF 1 SHEET NO 1 OF 1 STG REV N/P R 03