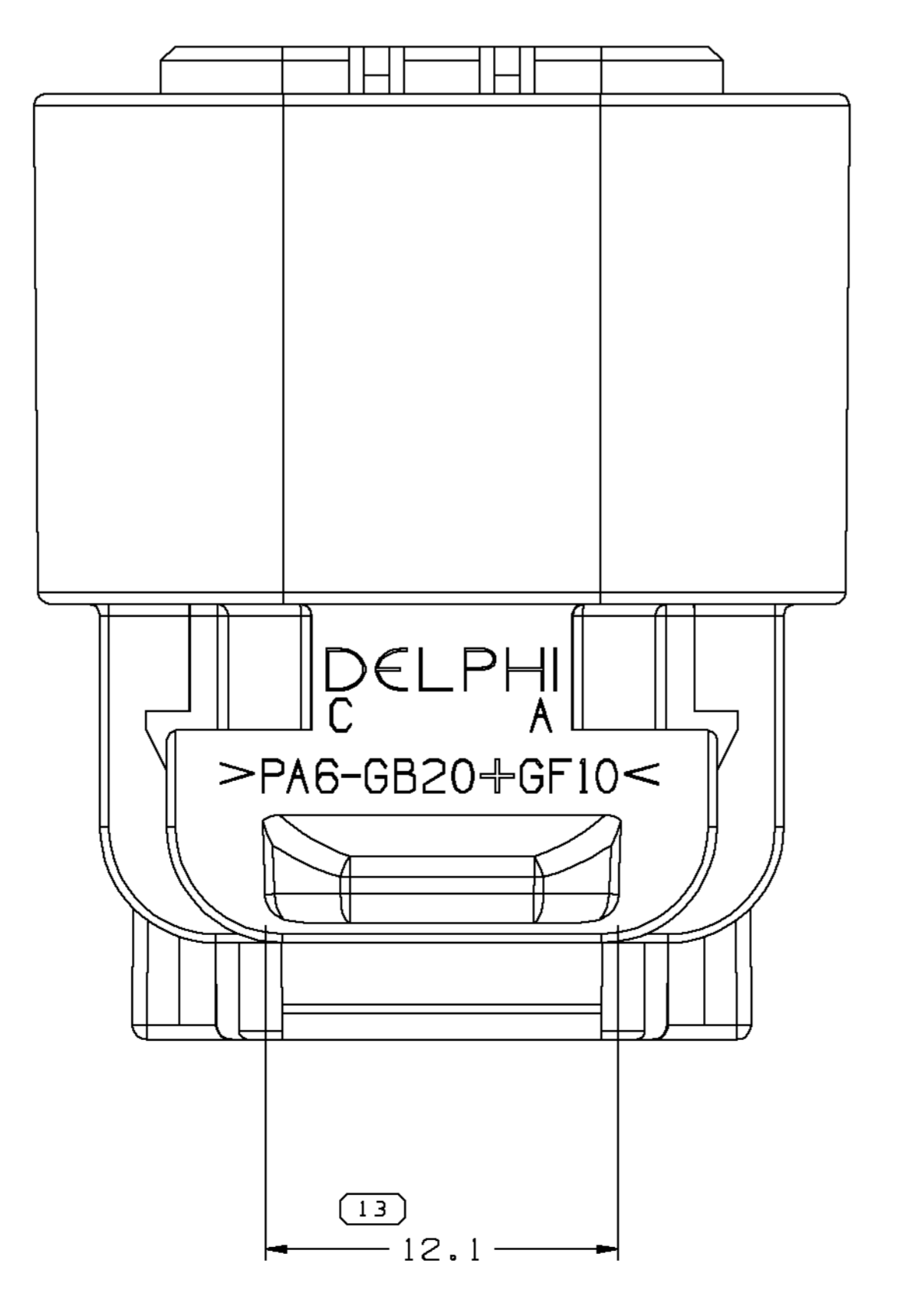
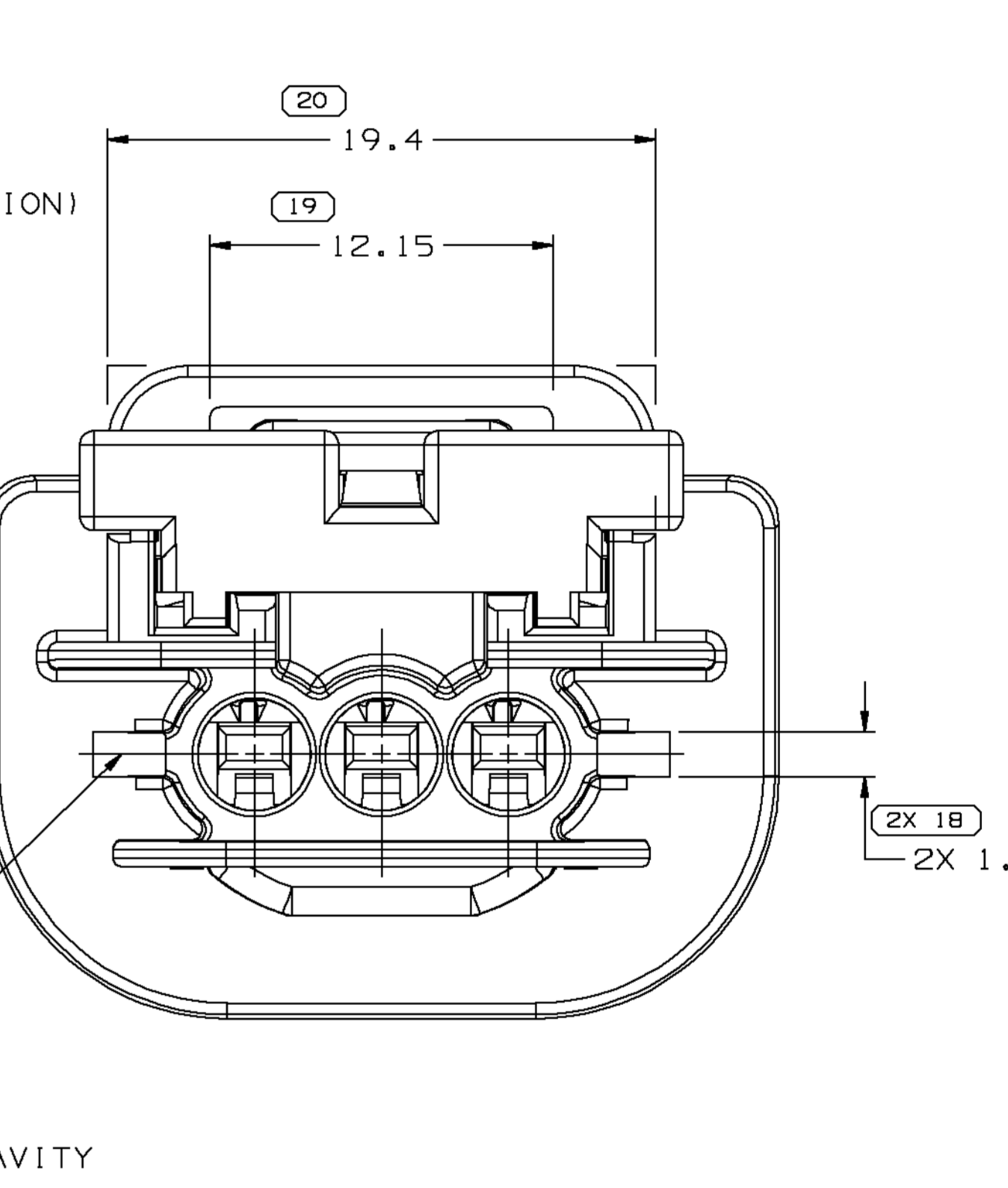
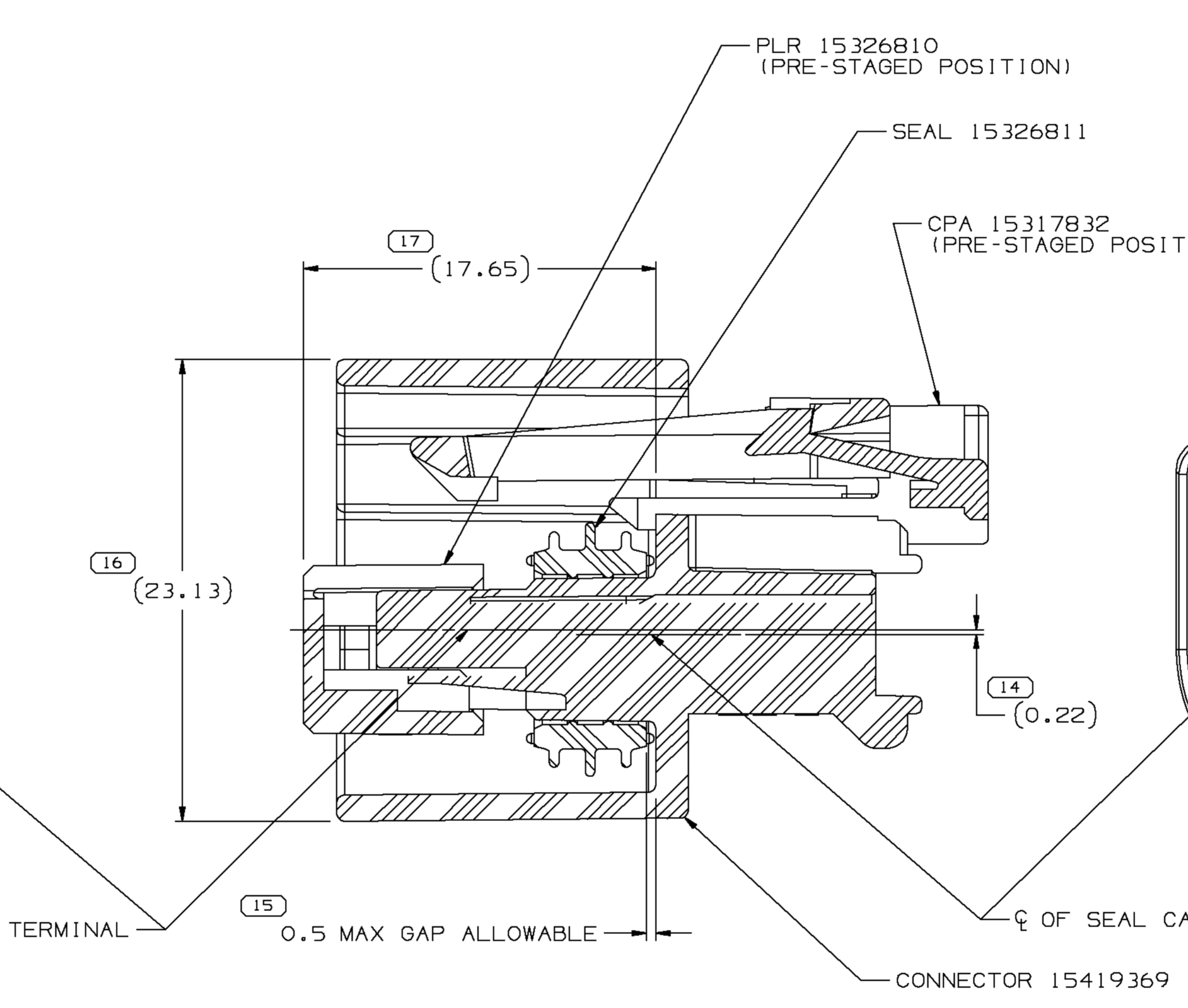
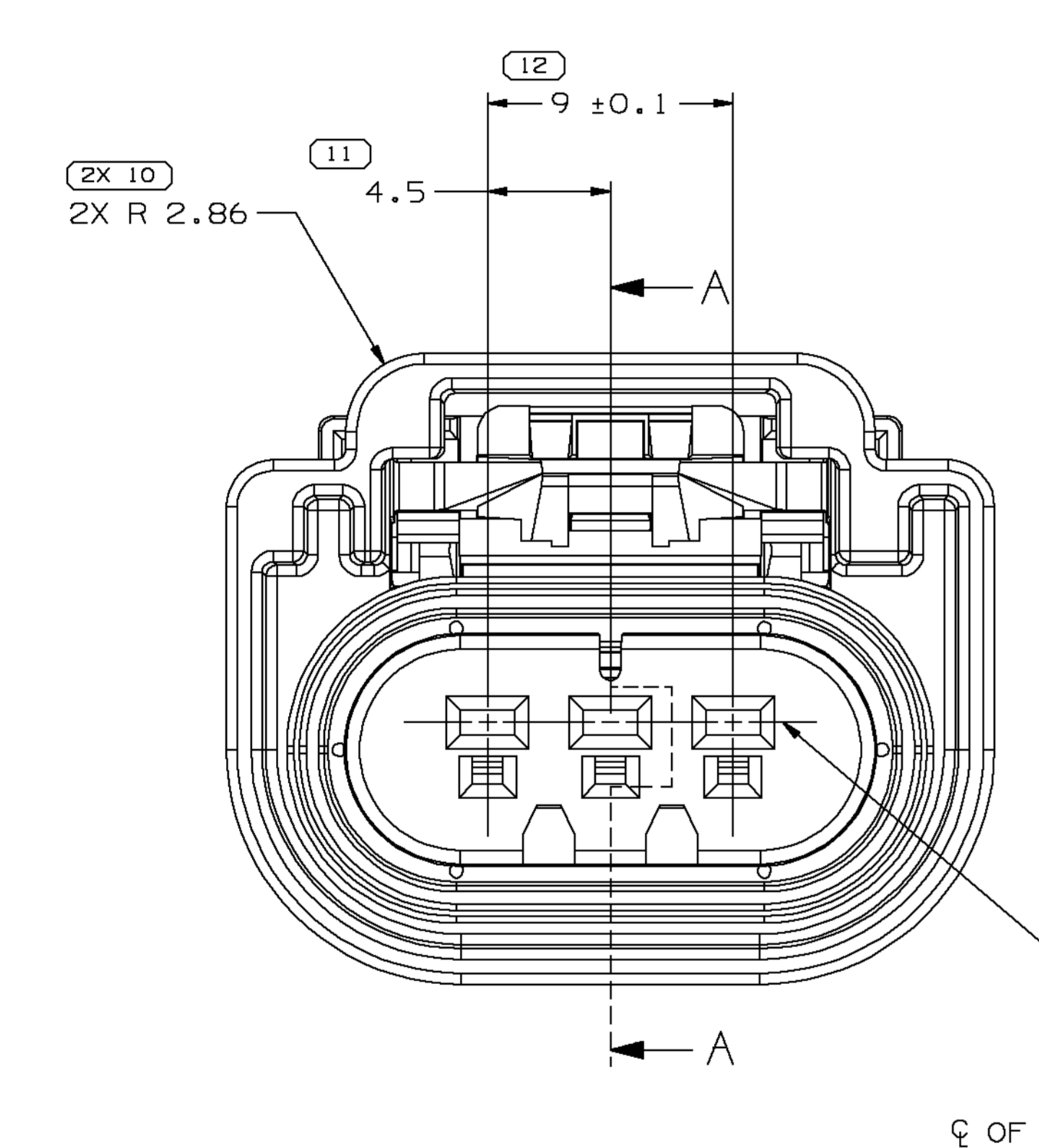
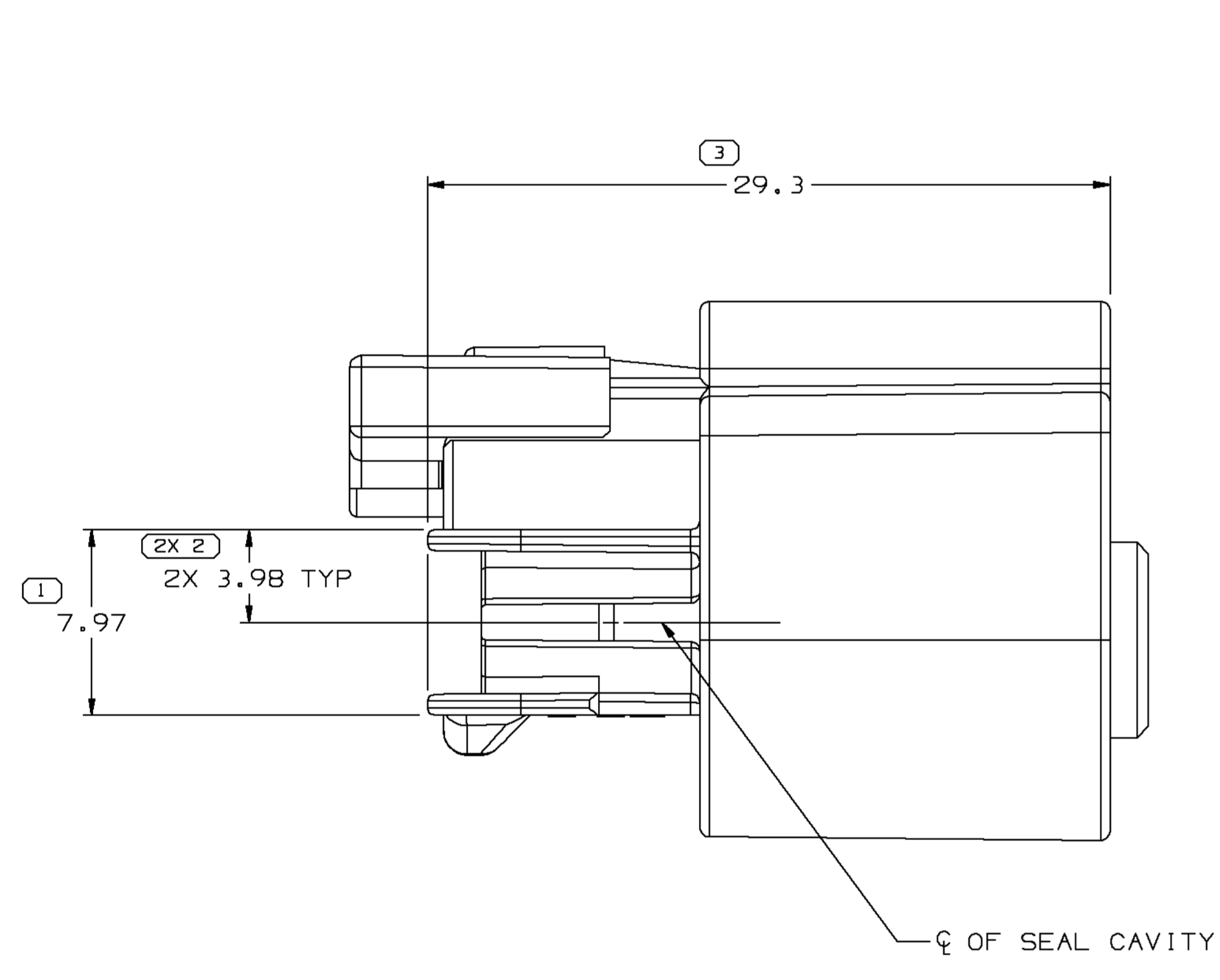
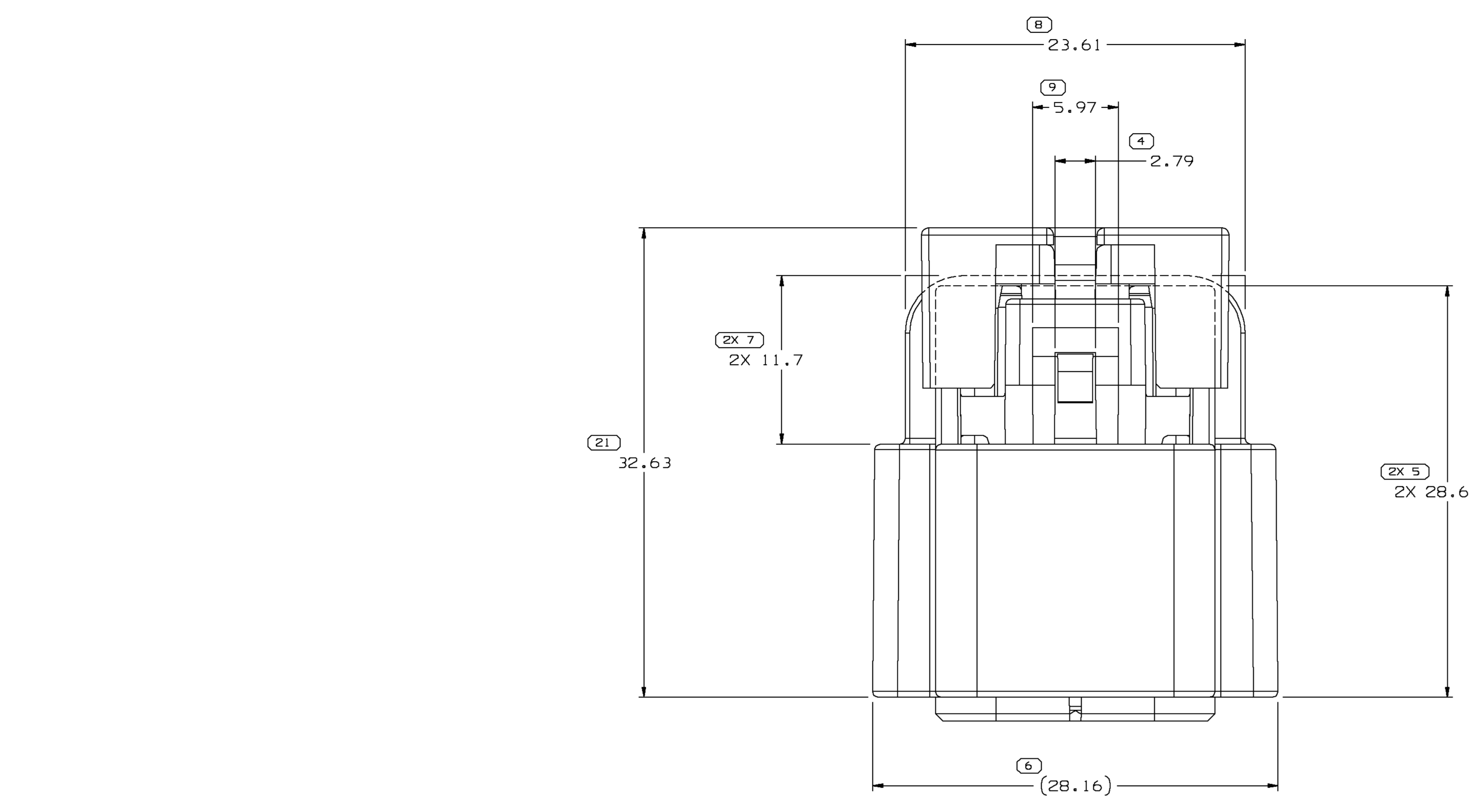


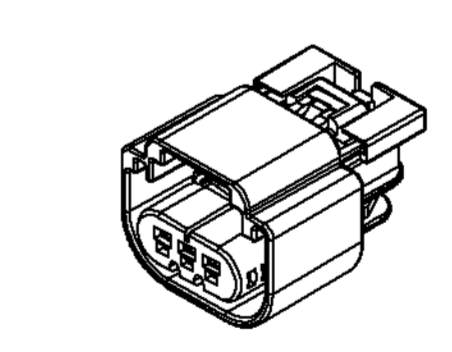
SYMBOL DEFINITION		MISSING SYMBOLS	
A DIMENSION WITHOUT AN INSPECTION REPORT SYMBOL DOES NOT REQUIRE INSPECTION. IT MAY BE CONTROLLED ON THE INDIVIDUAL COMPONENT DRAWING.	TOTAL NO OF INSPECTIONS REQUIRED	NO MISSING SYMBOL NUMBER	
	26		
	LAST NO. USED	21	

DWO STATUS				REVISION HISTORY				AUTH		APVD	
DATE	STG	REV	W/P	CHG	ZONE						
10JN03	R	01	-	-	RELEASED			241963	AUG	11	2



NOTES

- UNLESS OTHERWISE SPECIFIED AND/OR INDICATED: DIMENSIONS ARE TO FACE OF VIEW SHOWN AND AUTOMATICALLY ROUNDED BY COMPUTER FOR INSPECTION. (SEE MATH MODEL FOR PRECISE DIMENSIONS.) FOR ALL OTHER DIMENSIONS NOT SHOWN BUT REQUIRED FOR TOOL BUILD, SEE MATH MODEL FOR PRECISE TOOL PATH DATA.
- THIS PART IS NOT CONTROLLED FOR AUTOMATIC FEEDING.
- SEALING CODE TBD.
- THIS CONNECTOR IS USCAR COMPLIANT WITH CONFIGURATION 150-S-003-1-B01.
- MATING COMPONENTS:
TPA - 15418545



R 0.1 MAX SHARP CORNER TOLERANCE	DIMENSIONAL RANGE (MM)		CHART ET FROM TO
	FROM	TO	
R 0.2 MAX		0	0
		20	20
		30	30
		70	70
		100	100
		150	150
		200	200
		250	250
		300	300
		400	400
		TOLERANCE UNLESS OTHERWISE SPECIFIED	
		±0.15	±0.2
		±0.3	±0.4
		±0.5	±0.6
		±1	±1.2
		ANGULAR TOLERANCE ±2°	

DWO TYPE		PART DRAWING	
STYLE		DISTR CODE	D
VOLUME (CWP)			
ROUTING	6900		
UNLESS OTHERWISE SPECIFIED			
THIS DOCUMENT IS IN ACCORDANCE WITH ASME Y14.5M-1994 AS AMENDED BY 75E ON 8/2004, DIMENSIONING AND TOLERANCING ADDENDUM - 1997. ALL GEOMETRIC TOLERANCES AND RELATED DATUMS APPLY TO ALL DIMENSIONS UNLESS OTHERWISE SPECIFIED. DIMENSIONS ARE TO FACE UNLESS OTHERWISE SPECIFIED. DIMENSIONS ARE IN MILLIMETERS.			
THIRD ANGLE PROJECTION			
DO NOT SCALE			
USE MATH DATA			

DELPHI
DELPHI PACKARD ELECTRIC SYSTEMS
WARREN, OH

DR	DATE
APVD1 A. UGALDE G.	10JN03
APVD2 A. UGALDE G.	10JN03
APVD3 MAL J. CULP	11JN03
APVD4	
APVD5	

MATERIAL SPEC DRAWING

DRAWING NAME
ASM CONN 3 F GT 150 SEALED

DRAWING NUMBER
15472402

SHEET NO	1 OF 1
SHEET REV	1
DATE	10/03
W/P	