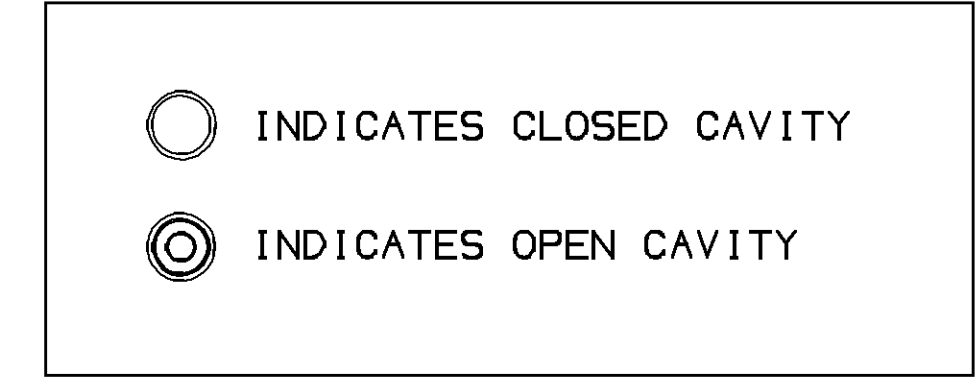
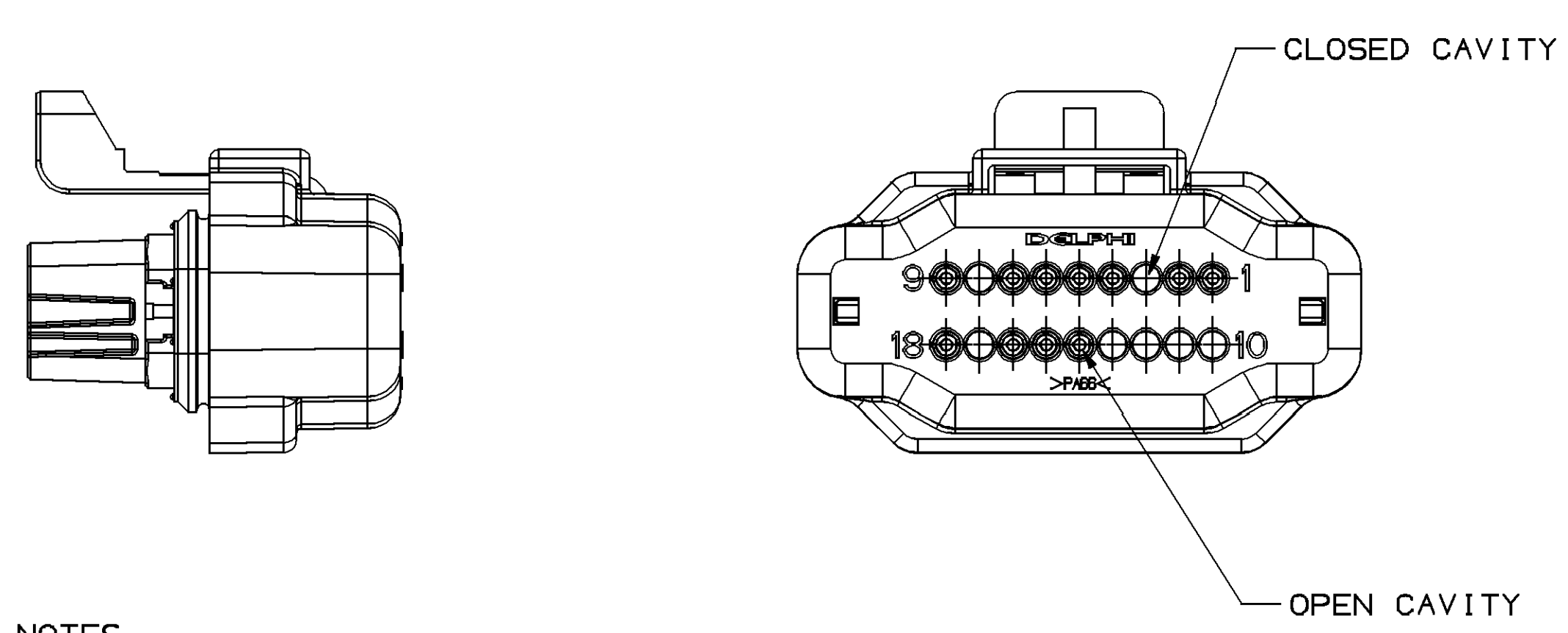
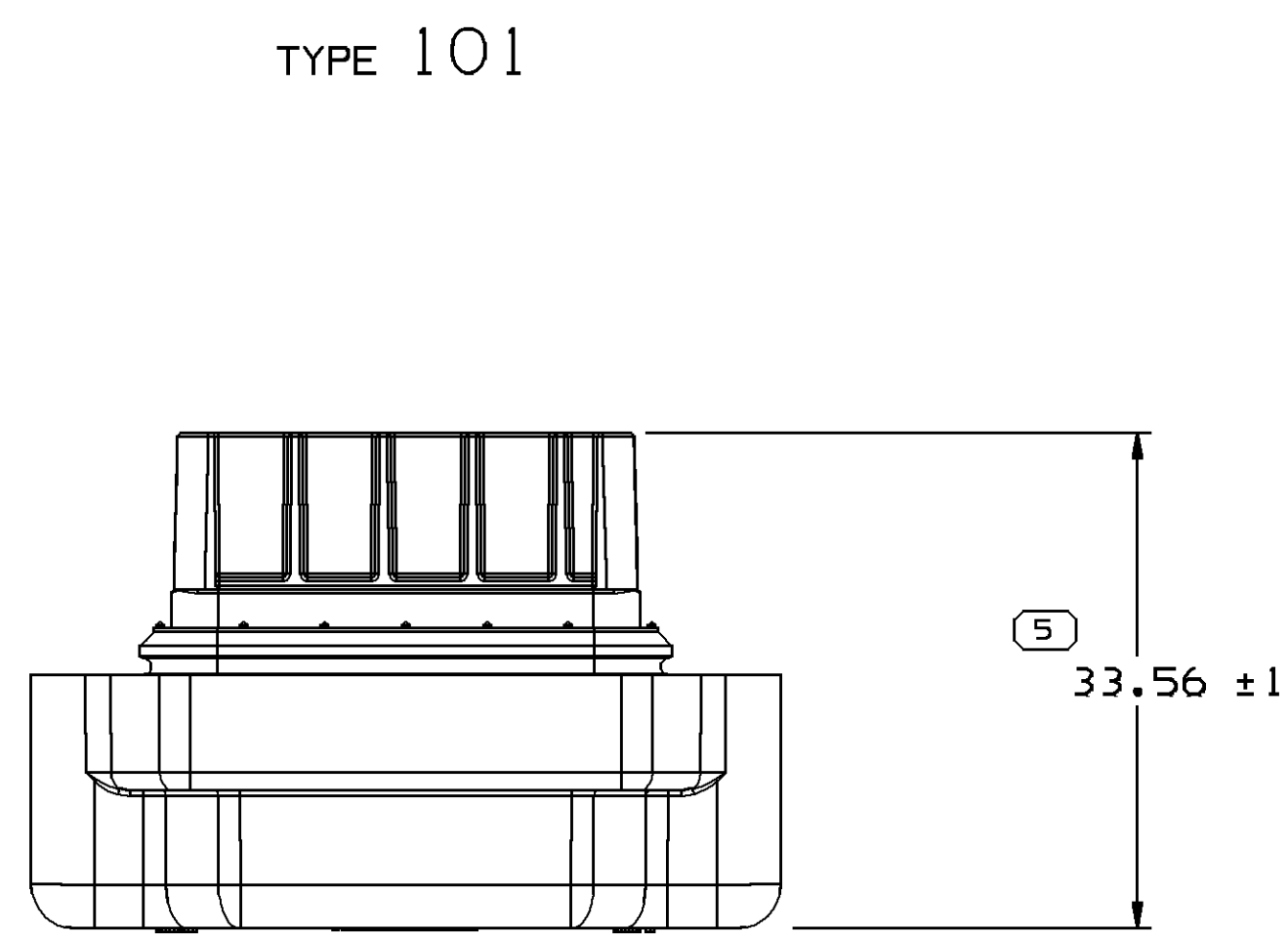
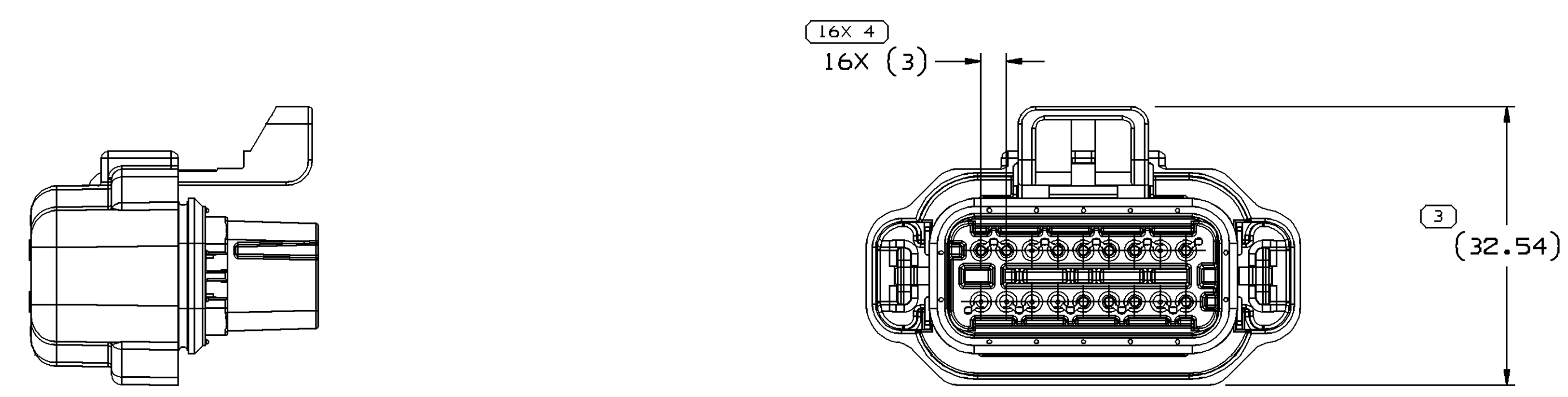
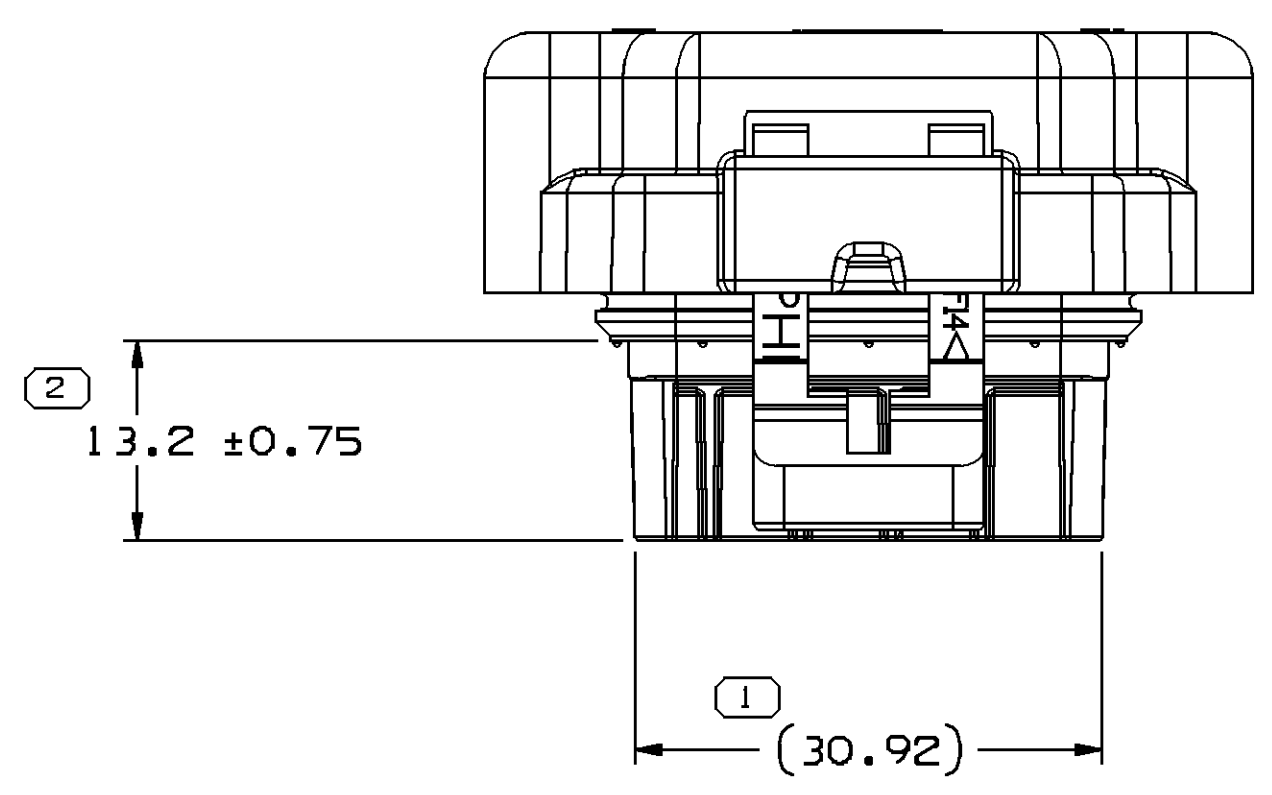
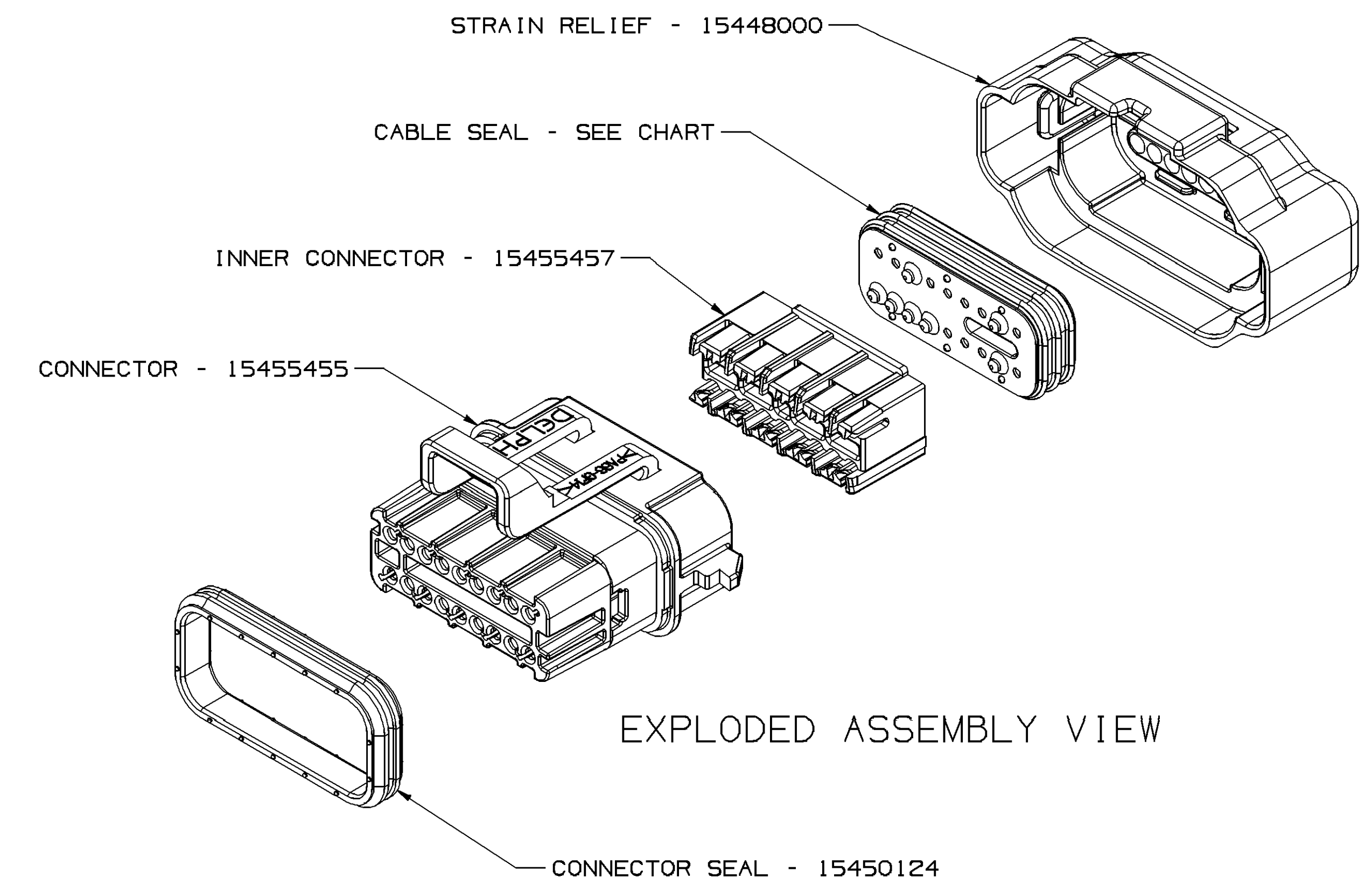
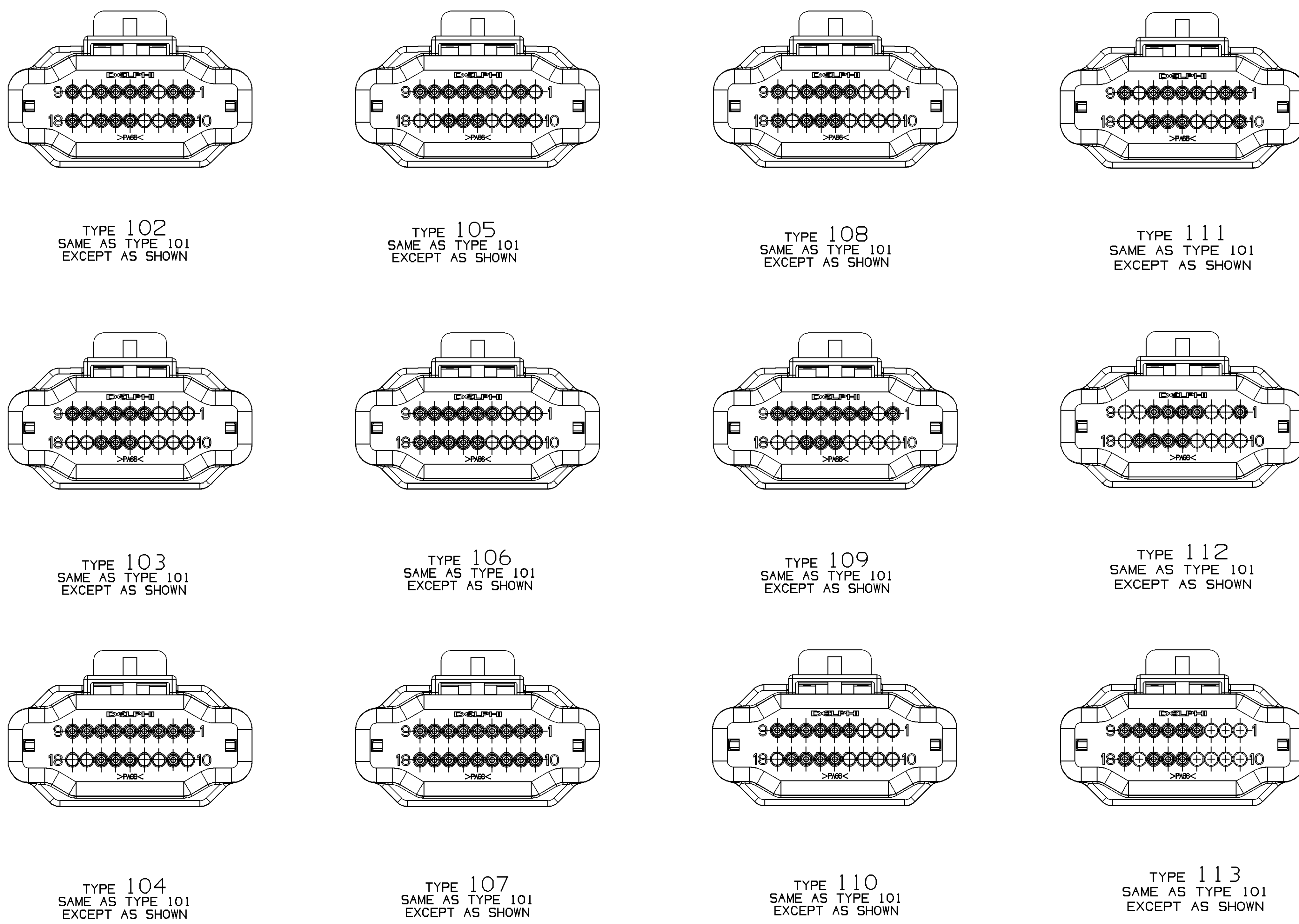


SYMBOL DEFINITION				TOTAL NO OF INSPECTIONS REQUIRED		MISSING SYMBOLS	
A DIMENSION WITHOUT AN INSPECTION REPORT SYMBOL DOES NOT REQUIRE INSPECTION. IT MAY BE CONTROLLED ON THE INDIVIDUAL COMPONENT DRAWING.				20		NO MISSING SYMBOL NUMBER	
				LAST NO. USED		5	



DWG STATUS					REVISION HISTORY			AUTH	
DATE	STD	REV	N/P	CHG	ZONE				
25MR03	R	01	-	-		ALL PARTS - PART DRAWING CREATED			238518 JWM/JVM
08JUL03	R	02	-	-		CHANGED TYPE# REFERENCE FOR P/N# 15495460, 15495461, 15495462, 15475193, 15475194, 15475195, 15475196, 15475197, 15473133.			243318 SS/SS
03SE03	R	03	-	-		15476593 - RELEASED			245300 MAC/MAC
14OC03	R	04	-	-		ALL PARTS - NOTE 4 CABLE O.D. RANGE 1.45/2.20 DIA WAS 1.45/2.45 DIA. REVISED STRAIN RELIEF 15448000. 15473133 WAS TYPE 109. 15476593 WAS TYPE 110. 15476743 & 15480014			246590 CJP/CJP
17DE03	R	05	-	-		15473133 - REVISED CABLE SEAL, CLOSED CAVITY 10; OPEN CAVITIES 12,13			249574 ADK/ADK
15JAO4	R	06	-	-		15473133 - REVISED CABLE SEAL, CLOSED CAVITIES 12,13			250661 ADK/ADK
31MR04	R	07	-	-		15491247 - RELEASED			253369 JPB/JAA
09SE04	R	08	-	-		ALL PARTS - ADDED NOTES 5 & 6; 15476743 - REVISED CABLE SEAL, CLOSED CAVITY 18			258548 MLM/MLM
21MR06	R	09	-	-		15480014 AND 15495462 - OBSOLETE			278493 JTZ/JAA



- NOTES
- UNLESS OTHERWISE SPECIFIED AND/OR INDICATED: DIMENSIONS ARE TO FACE OF VIEW SHOWN AND AUTOMATICALLY ROUNDED BY COMPUTER FOR INSPECTION (SEE MATH MODEL FOR PRECISE DIMENSIONS). FOR ALL OTHER DIMENSIONS NOT SHOWN BUT REQUIRED FOR TOOL BUILD, SEE MATH MODEL FOR PRECISE TOOL PATH DATA.
 - MATING DEVICE COMPONENTS OR EQUIVALENT: SEE 15454981 FOR CASE/HEADER MATING PART INFORMATION. SEE CHART FOR MALE SERVICE CONNECTOR.
 - SEALING CODE 4 - DESIGN WILL MEET REQUIREMENTS OF SAE/USCAR-2 CONNECTOR SYSTEM ENVIRONMENTAL TEST FLOW CHART (PRESSURE/VACUUM AND SUBMERSION).
 - THIS PART ACCEPTS THE FOLLOWING COMPONENTS OR EQUIVALENT:
TERMINAL: 15359001
CABLE O.D. RANGE: 1.45/2.20 DIA
CONNECTOR POSITION ASSURANCE: 15318055
SECONDARY LOCK: 15455458
 - ASSEMBLY TO BE USED WITH APPROPRIATE DELPHI PACKARD ELECTRIC HOLDER DESIGNS.
 - ASSEMBLY TO BE PROCESSED USING DELPHI PACKARD ELECTRIC SYSTEMS BEST PRACTICE METHODS AND/OR CONNECTOR ASSEMBLY INSTRUCTIONS, AND APPLICABLE REPAIR PROCEDURES.

PART NO	REV	N/P	TYPE	STATUS	CABLE SEAL	MATING MALE SERVICE CONNECTOR ASM	PUNCHED HOLE PATTERN (OPEN CAVITIES)
15491247	01	AA	113	-	15491246	TBD	4-9,14-16,18
15480014	01	AB	109	OBSOLETE	15480012	TBD	1,3-9,14-16
15476743	02	-	112	-	15476742	TBD	1,4-7,14-17
15476593	02	AA	111	-	15476592	TBD	1,2,4-7,9-10,14-16
15473133	04	AA	110	-	15473132	TBD	4-9,14-17
15475197	02	AA	108	-	15472512	TBD	4-7,9,14-16,18
15475196	02	AA	107	-	15445953	TBD	1-18
15475195	02	AA	106	-	15447999	TBD	4-9,14-18
15455462	02	AB	105	OBSOLETE	15439425	15445243	2,4-9,11,14-16
15455461	02	AA	104	-	15439422	15445242	1-9,11,14-16
15455460	02	AA	103	-	15439421	15445241	4-9,14-16
15475194	02	AA	102	-	15439463	TBD	1,2,4-7,9-11,14-16,18
15475193	02	AA	101	-	15439462	TBD	1,2,4-7,9,14-16,18

DELPHI
DELPHI PACKARD ELECTRIC SYSTEMS
WREN, MI

PART DRAWING
D

UNLESS OTHERWISE SPECIFIED:
THIS DOCUMENT IS IN ACCORDANCE WITH ASME Y14.5M-1994 AS MODIFIED BY THE IN CHARGE, DIMENSIONING AND TOLERANCING MANUAL (SPC), TITLE 3 (UNLESS OTHERWISE SPECIFIED) AND RELATED DATUM APPLY. REFERENCE TO DIMENSIONS IS ESTABLISHED BY ORIENTATION OR LOCATION TOLERANCES. SURFACES POSITION CALLOUTS MAY BE DIMED SEPARATELY, REGARDLESS OF DATUM REFERENCE.
ALL DIMENSIONS ARE IN MILLIMETERS.

PROCESS SENSITIVE DIMENSION
DIMENSIONS ENCLOSED IN () INDICATE REFERENCE DIMENSIONS AND NO TOLERANCE LIMITS ARE ESTABLISHED.

THIRD ANGLE PROJECTION
DO NOT SCALE
USE MATH DATA

DATE: 02-JUN-06 Time: 16:07

DR: J. VILLAMIL
APV02: J. VILLAMIL
APV03: PHIL DANCISON
APV04:
APV05:

SUBSTANCES OF CONCERN AND RECYCLED CONTENT PER DELPHI 10949001

MASTER DRAWING
DRAWING NAME: TAXI ASM CONN F MIC/P 100W SLD
DRAWING NUMBER: 15455459

SIZE: A0
SCALE: 2:1
FRAME NO: 1
SHEET NO: 1 OF 1
REV: R
N/P: 09