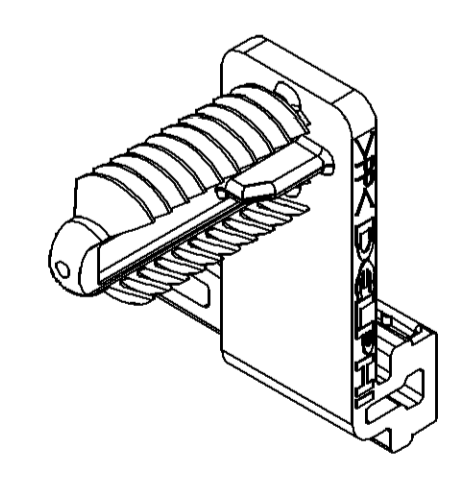
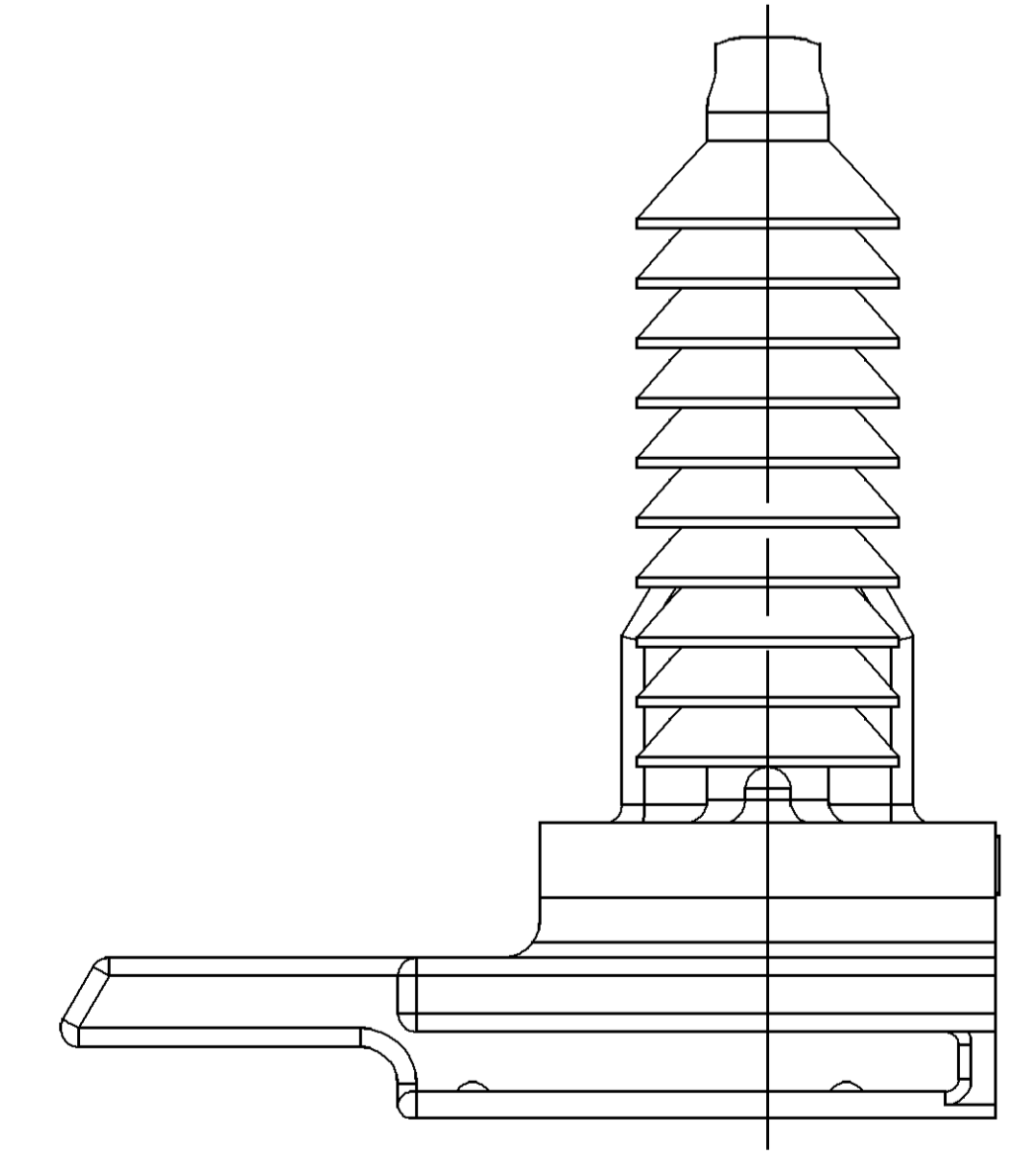
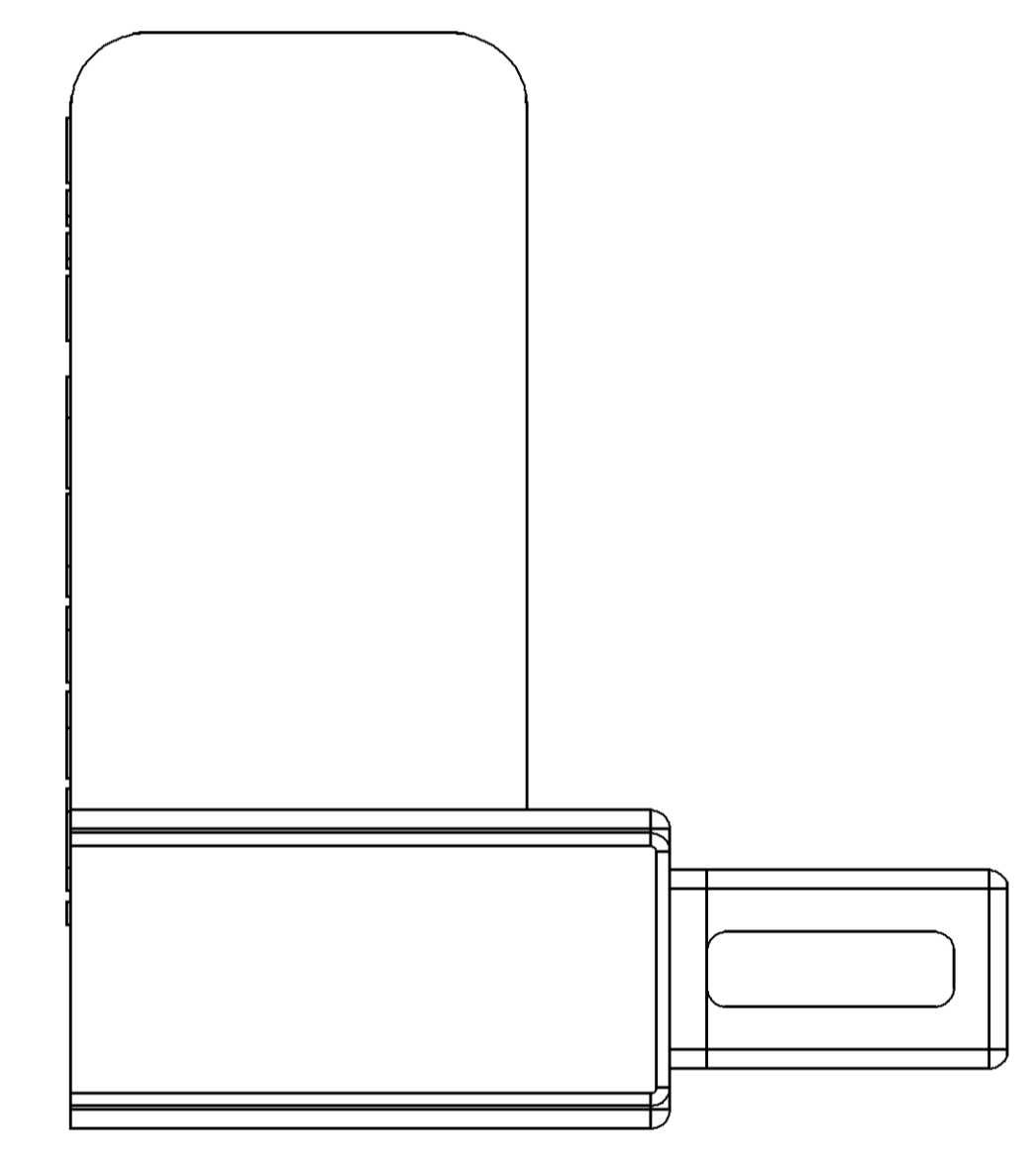
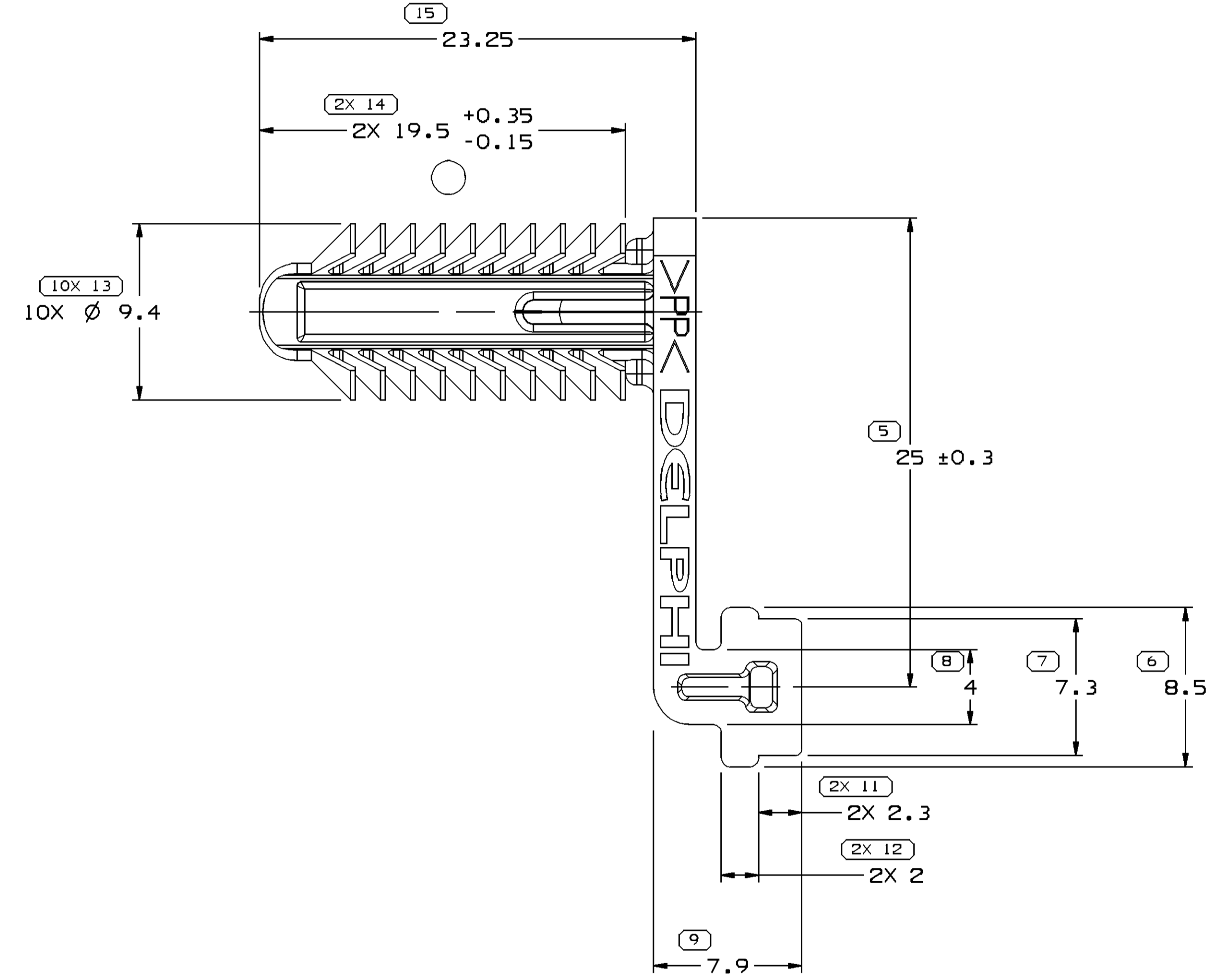
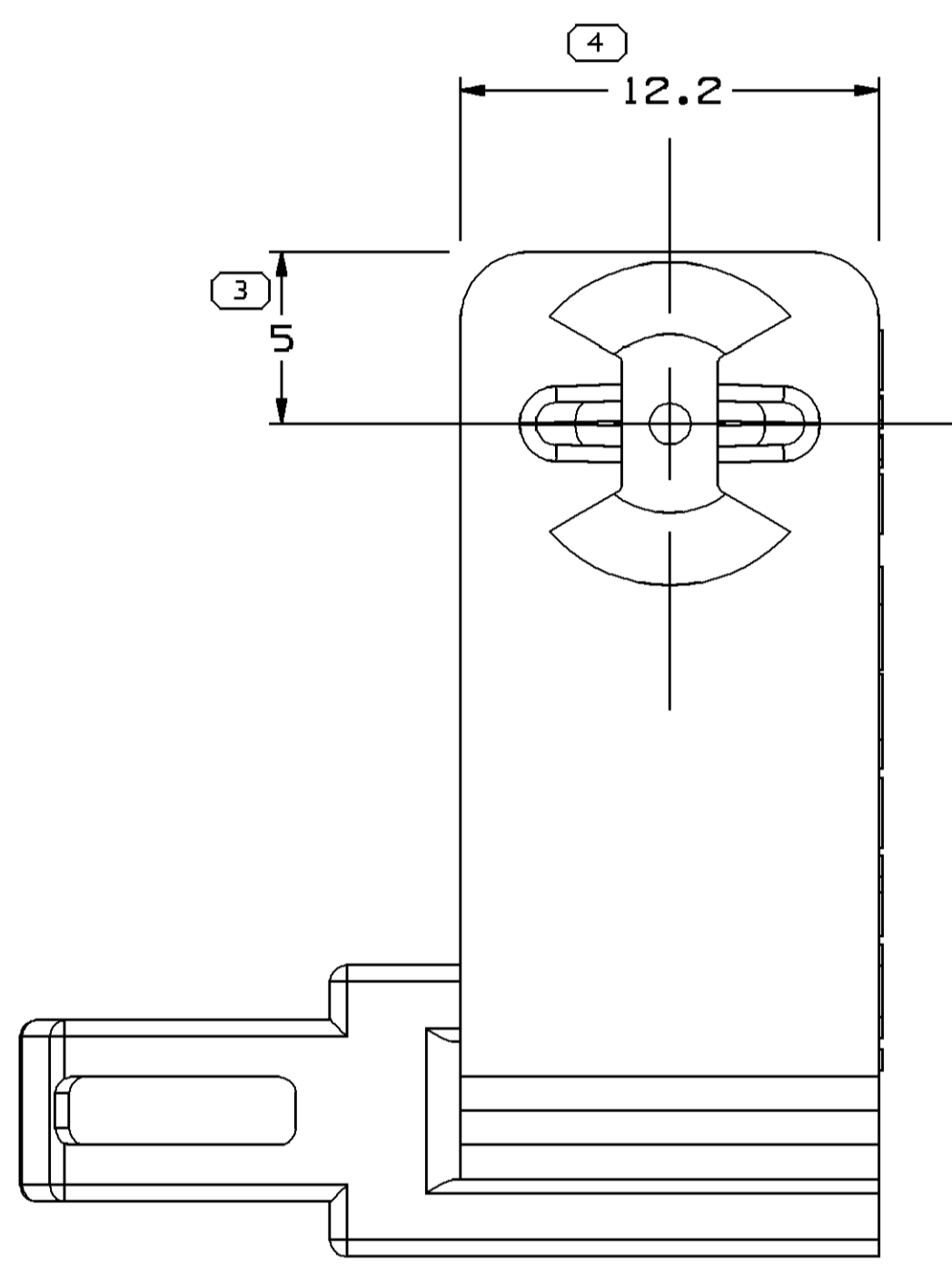
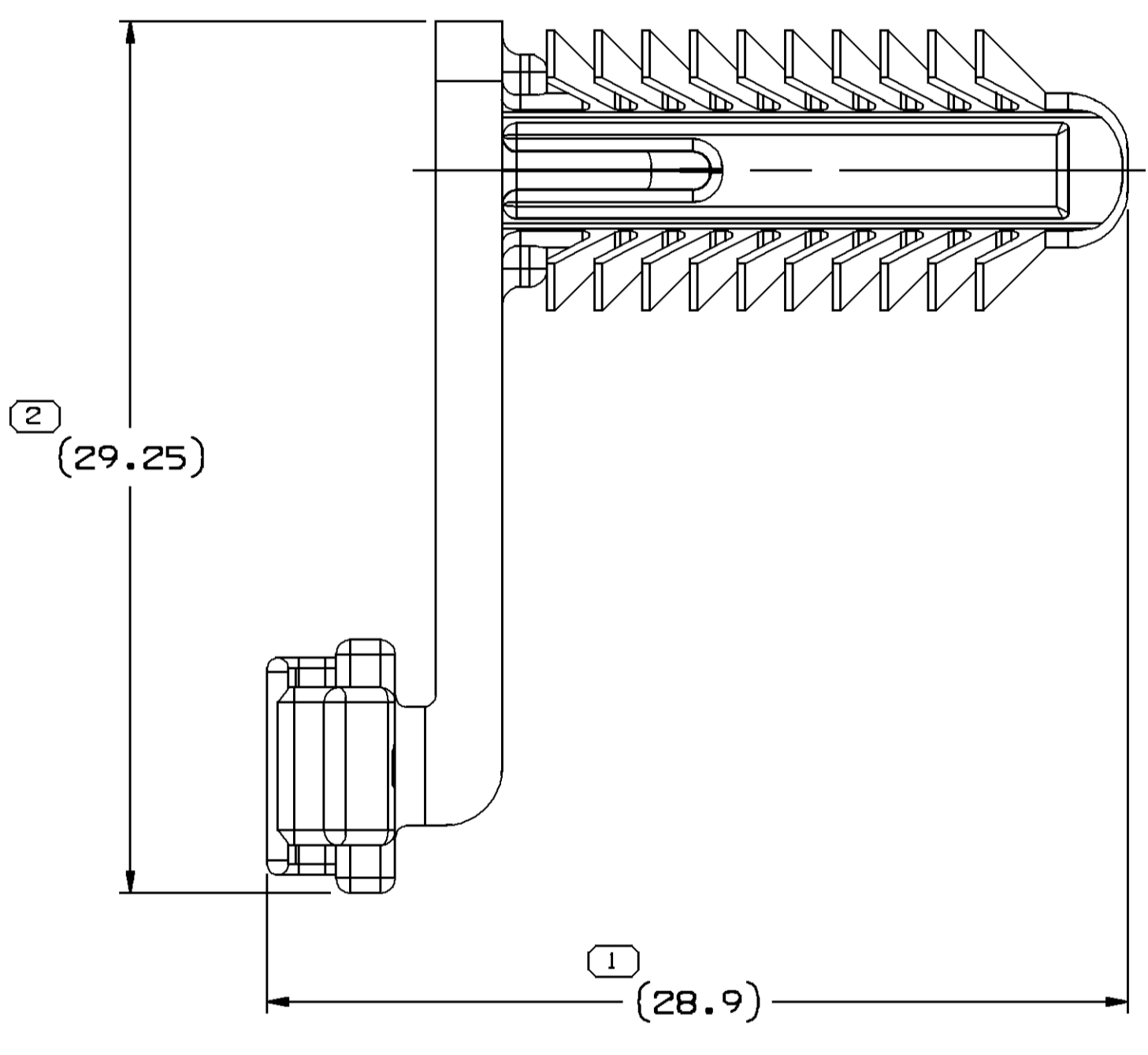
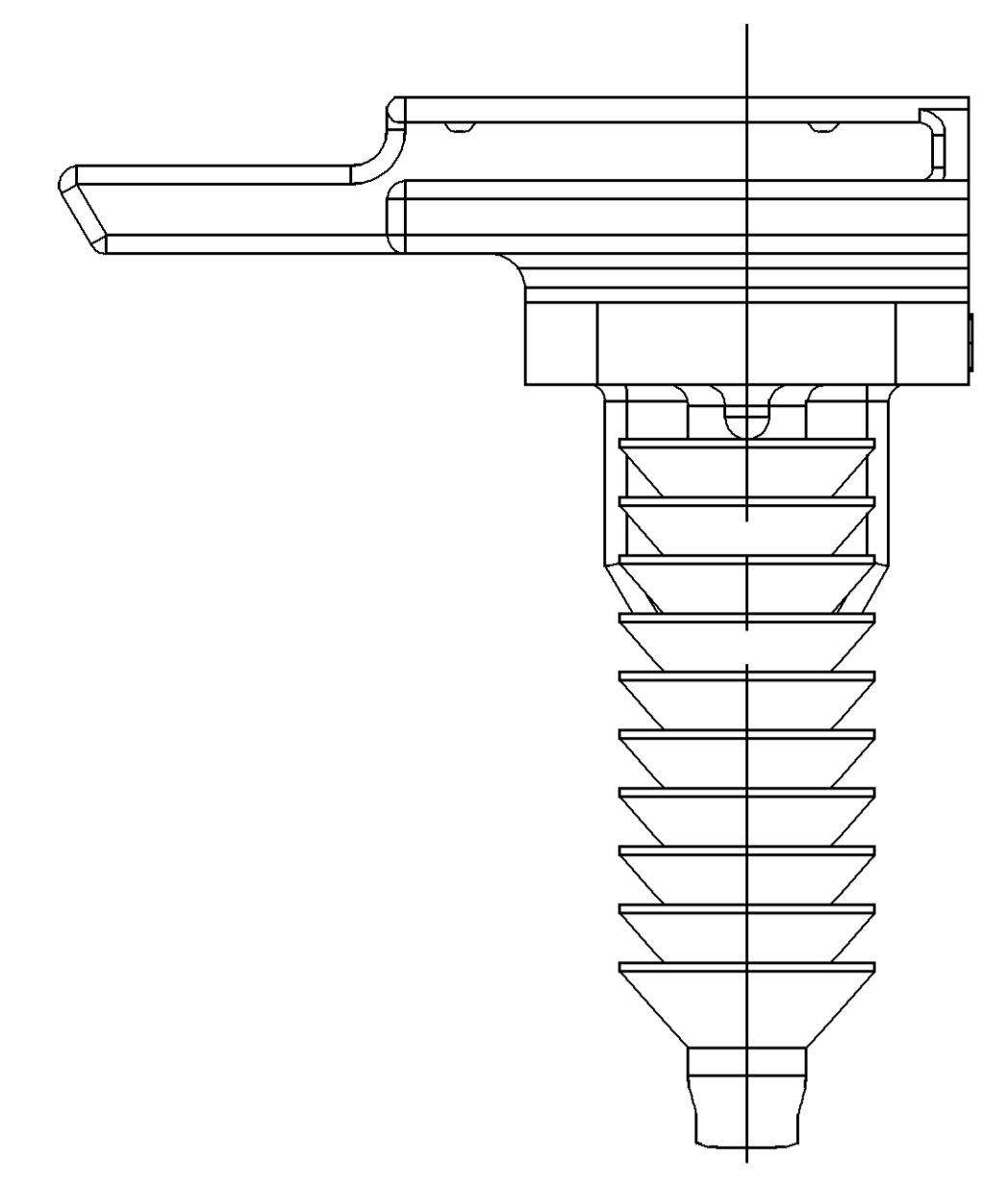


SYMBOL DEFINITION		TOTAL NO OF INSPECTIONS REQUIRED	
A DIMENSION WITHOUT AN INSPECTION REPORT SYMBOL DOES NOT REQUIRE INSPECTION. IT MAY BE CONTROLLED ON THE INDIVIDUAL COMPONENT DRAWING.		26	
	LAST NO. USED	15	

MISSING SYMBOLS				REVISION HISTORY				AUTH		DR		AP/VD	
DATE	STG	REV	N/P	CHG	ZONE								
120C04	R	01	-	-		WAS PE126745 AND RELEASED				259755	RTV	AUG	MLP
16MR05	R	02	-	-		129.251 WAS (29.2), (28.9) WAS (28.92), 8.5 WAS 8.4, 7.3 WAS 7.49, 4 WAS 5.2, 7.9 WAS 5.67, 2X 2 WAS 2X 1.15, 2X 2,3 WAS 2X 1.57, REMOVED 2X 1.02 AND REVISED VIEW SCALE NOTE & LOCK FEATURE					HAM	HAM	MLP
14JN05	R	02	AA	-		UPDATED PDM ATTRIBUTES				269080	MAK	MAK	MLP
23JA07	R	02	AB	-		TOLERANCE ON DIM #14 WAS +/-0.15 & PROCESS SENSITIVE DIMENSION WAS "N/A"				400290	JEC	JEC	MLP



SCALE 2:1

- NOTES
- UNLESS OTHERWISE SPECIFIED AND/OR INDICATED:  
DIMENSIONS ARE TO FACE OF VIEW SHOWN AND AUTOMATICALLY ROUNDED BY COMPUTER FOR INSPECTION (SEE MATH MODEL FOR PRECISE DIMENSIONS). FOR ALL OTHER DIMENSIONS NOT SHOWN BUT REQUIRED FOR TOOL BUILD, SEE MATH MODEL FOR PRECISE TOOL PATH DATA.
  - MATERIAL RECYCLING CODE PER ISO 11469. (1.5)X(0.1) CHARACTERS AS SHOWN TO BE LOCATED ON ANY EXTERIOR SURFACE.
  - (1.5)X(0.1) DELPHI CORPORATE BRAND TO BE LOCATED ON ANY EXTERIOR SURFACE, PREFERABLY VISIBLE AT FINAL ASSEMBLY. OPTIONAL CONSTRUCTION FOR EXISTING TOOLING MAY BE "PED".
  - RECOMMENDED HOLE SIZE Ø8.3MM (OR M10 TAPPED HOLE)

DWG TYPE PART DRAWING		DATE																			
STYLE	DISTR CODE	DATE																			
VOLUME 10/1	1.665	DATE																			
UNLESS OTHERWISE SPECIFIED THIS DOCUMENT IS IN ACCORDANCE WITH ASME Y14.5M-1994 AS MODIFIED BY THE IN-SUPPLY DIMENSIONING AND TOLERANCE ADDENDUM-2009. SEPARATE WRITERS OF FEATURES MAY BE BASED SEPARATELY PER-ROLE OF DRAWN REFERENCES.																					
ALL DIMENSIONS ARE IN MILLIMETERS																					
REFERENCE																					
THIRD ANGLE PROJECTION																					
DO NOT SCALE																					
USE MATH DATA																					
<table border="1"> <thead> <tr> <th>DIMENSIONAL RANGE (MM)</th> <th>SHORT ET</th> </tr> </thead> <tbody> <tr> <td>FROM &gt; 0</td> <td>&gt; 30</td> </tr> <tr> <td>TO</td> <td>&gt; 200</td> </tr> <tr> <td></td> <td>&gt; 300</td> </tr> <tr> <td></td> <td>&gt; 400</td> </tr> </tbody> </table>				DIMENSIONAL RANGE (MM)	SHORT ET	FROM > 0	> 30	TO	> 200		> 300		> 400								
DIMENSIONAL RANGE (MM)	SHORT ET																				
FROM > 0	> 30																				
TO	> 200																				
	> 300																				
	> 400																				
<table border="1"> <thead> <tr> <th>TOLERANCE UNLESS OTHERWISE SPECIFIED</th> <th>ANGULAR TOLERANCE</th> </tr> </thead> <tbody> <tr> <td>±0.15</td> <td>±1</td> </tr> <tr> <td>±0.2</td> <td>±1.2</td> </tr> <tr> <td>±0.3</td> <td>±1.5</td> </tr> <tr> <td>±0.4</td> <td>±1.5</td> </tr> <tr> <td>±0.5</td> <td>±1.5</td> </tr> <tr> <td>±0.6</td> <td>±1.5</td> </tr> <tr> <td>±0.8</td> <td>±1.5</td> </tr> <tr> <td>±1</td> <td>±1.5</td> </tr> </tbody> </table>				TOLERANCE UNLESS OTHERWISE SPECIFIED	ANGULAR TOLERANCE	±0.15	±1	±0.2	±1.2	±0.3	±1.5	±0.4	±1.5	±0.5	±1.5	±0.6	±1.5	±0.8	±1.5	±1	±1.5
TOLERANCE UNLESS OTHERWISE SPECIFIED	ANGULAR TOLERANCE																				
±0.15	±1																				
±0.2	±1.2																				
±0.3	±1.5																				
±0.4	±1.5																				
±0.5	±1.5																				
±0.6	±1.5																				
±0.8	±1.5																				
±1	±1.5																				

**DELPHI**  
DELPHI PACKARD ELECTRICAL/ELECTRONIC ARCHITECTURE  
WARREN, OH

DR	DATE
APV01 R. TOVAR VALDEZ	120C04
APV02 ARNULFO UGALDE	130C04
APV03 MATTHEW PENN	130C04
APV04	
APV05	

SUBSTANCES OF CONCERN AND RECYCLED CONTENT PER DELPHI 10949001

MATERIAL M2097001 PP 1M BLK

DRAWING NAME  
MOUN ATTCH CLIP NAIL

DRAWING NUMBER  
15488652

SIZE	SCALE	FRM NO	SHEET NO	STG	REV	N/P
A0	5:1	1	1 OF 1	1	R	02 AB