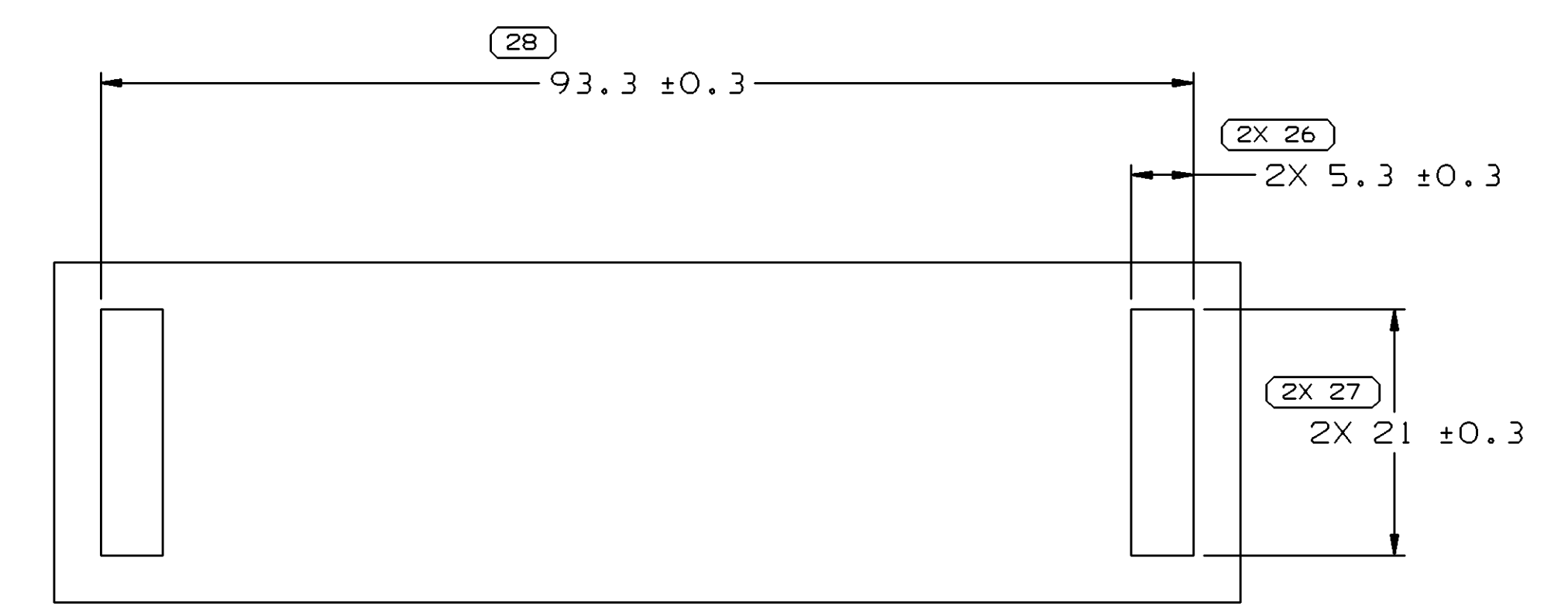
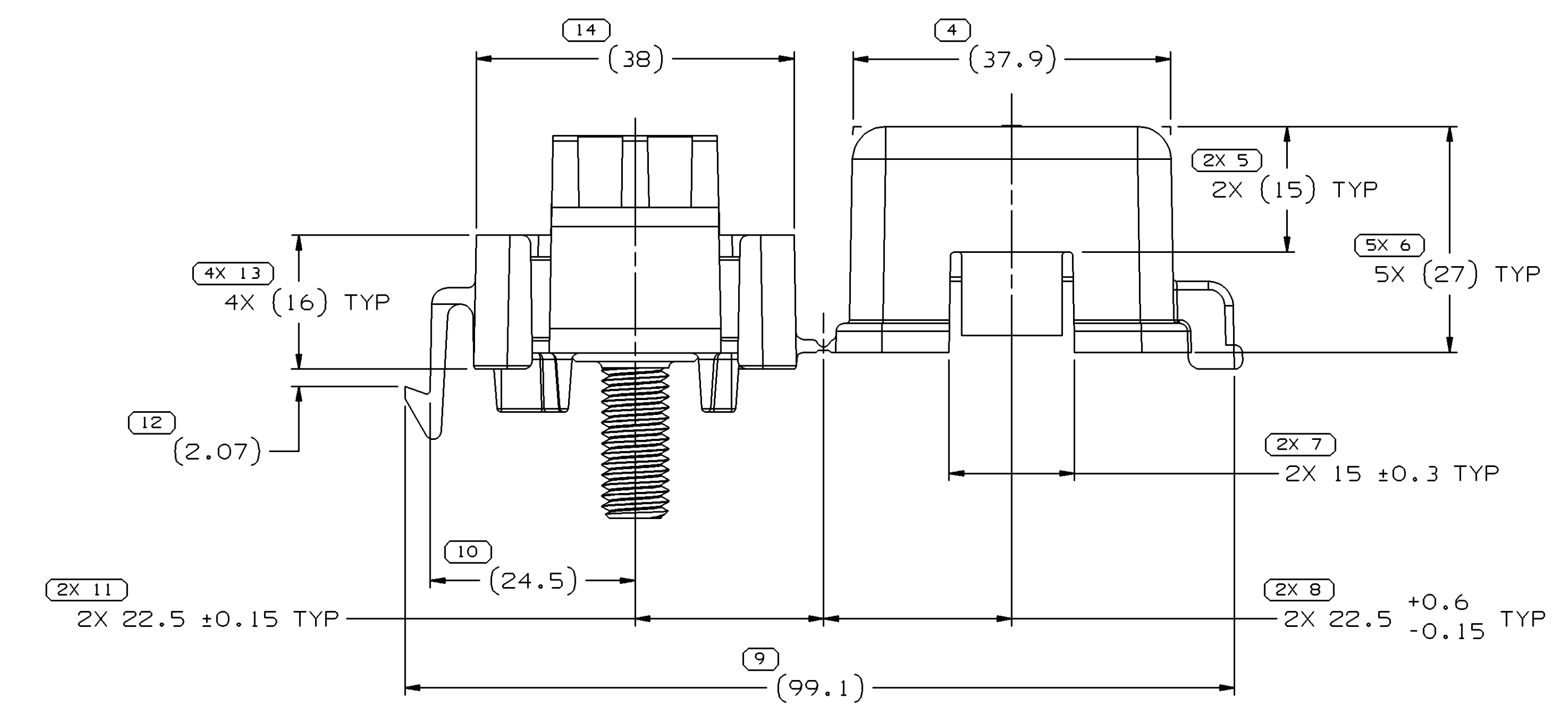
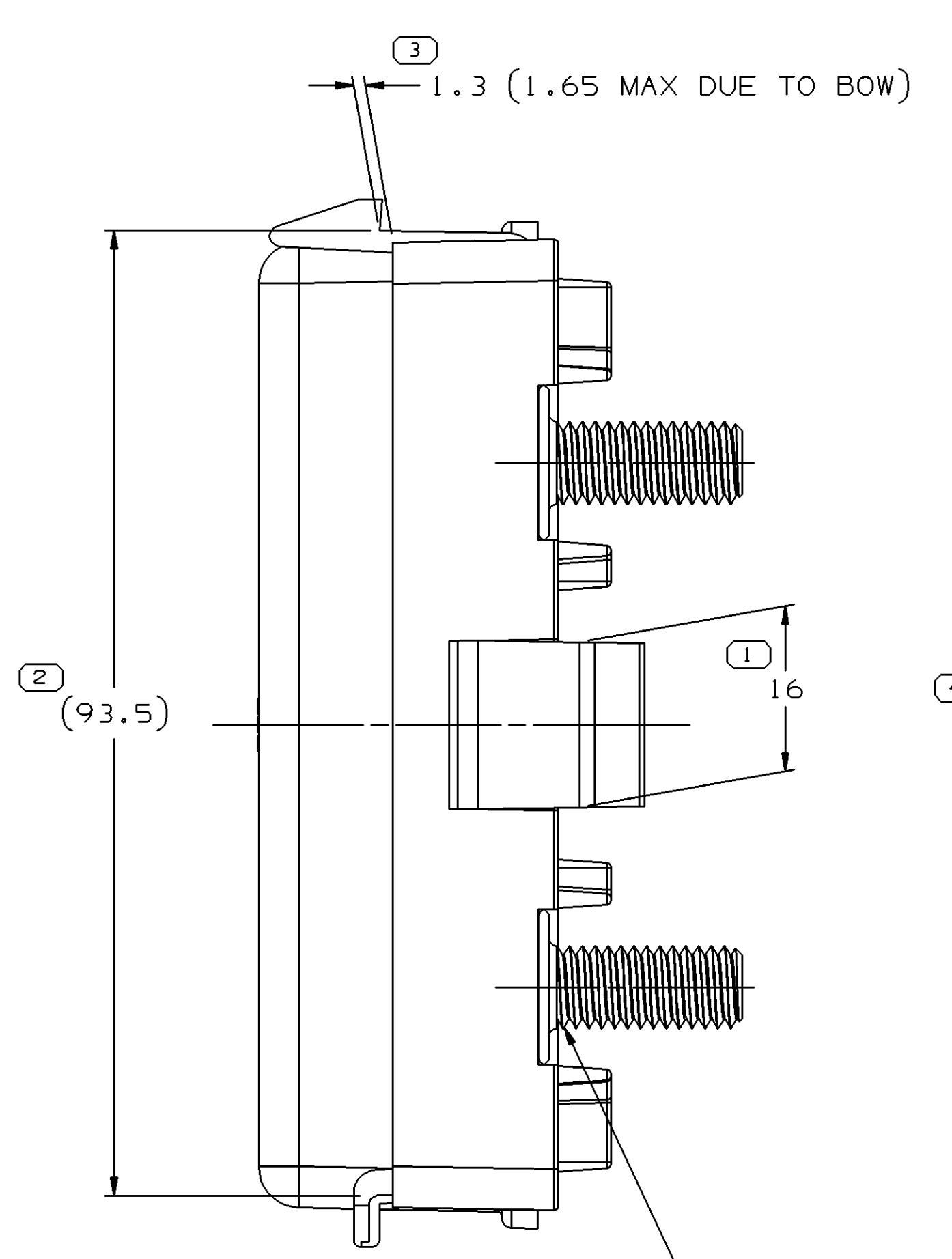


SYMBOL DEFINITION		MISSING SYMBOLS	
A DIMENSION WITHOUT AN INSPECTION REPORT SYMBOL DOES NOT REQUIRE INSPECTION. IT MAY BE CONTROLLED ON THE INDIVIDUAL COMPONENT DRAWING.	TOTAL NO OF INSPECTIONS REQUIRED	47	NO MISSING SYMBOL NUMBER
	LAST NO. USED	28	

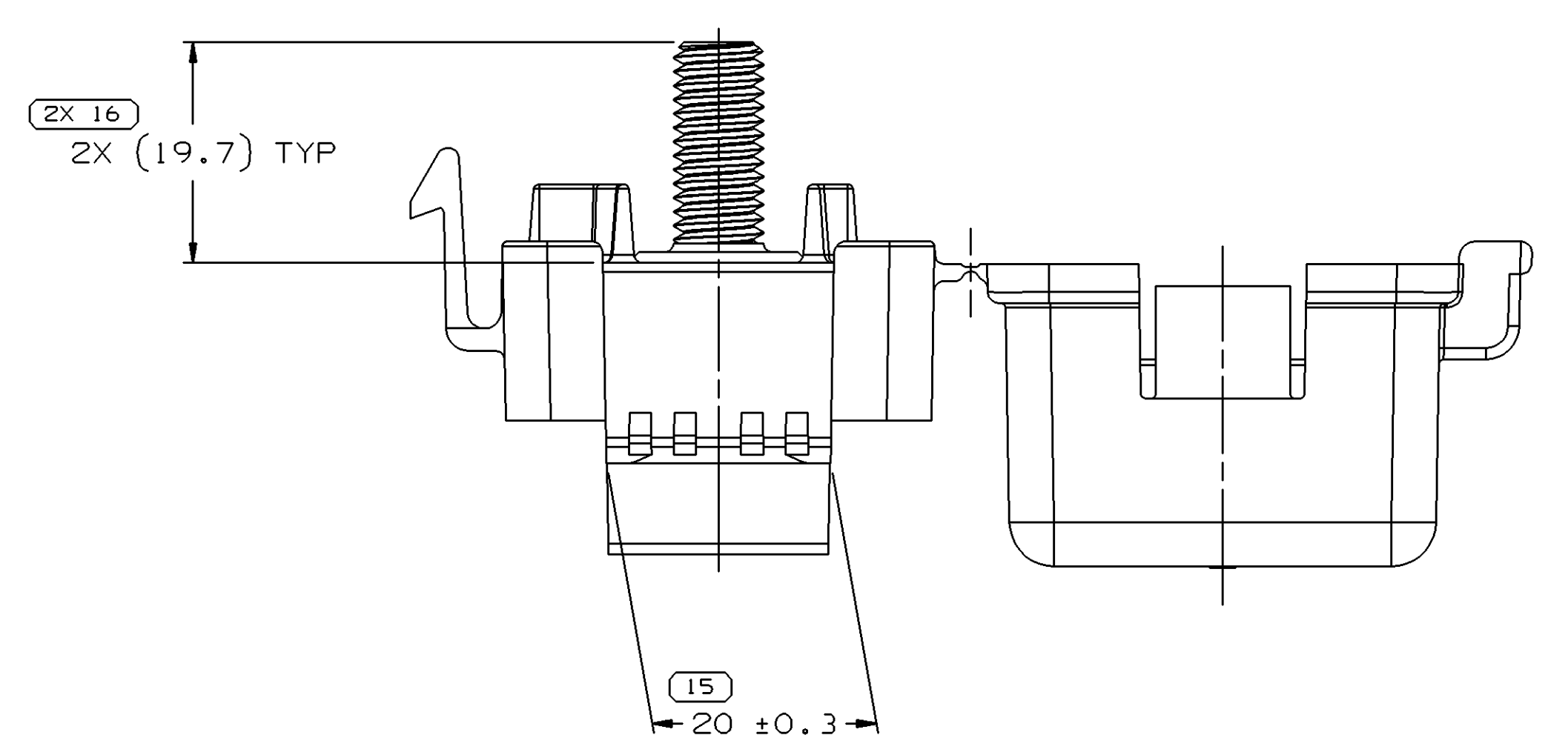
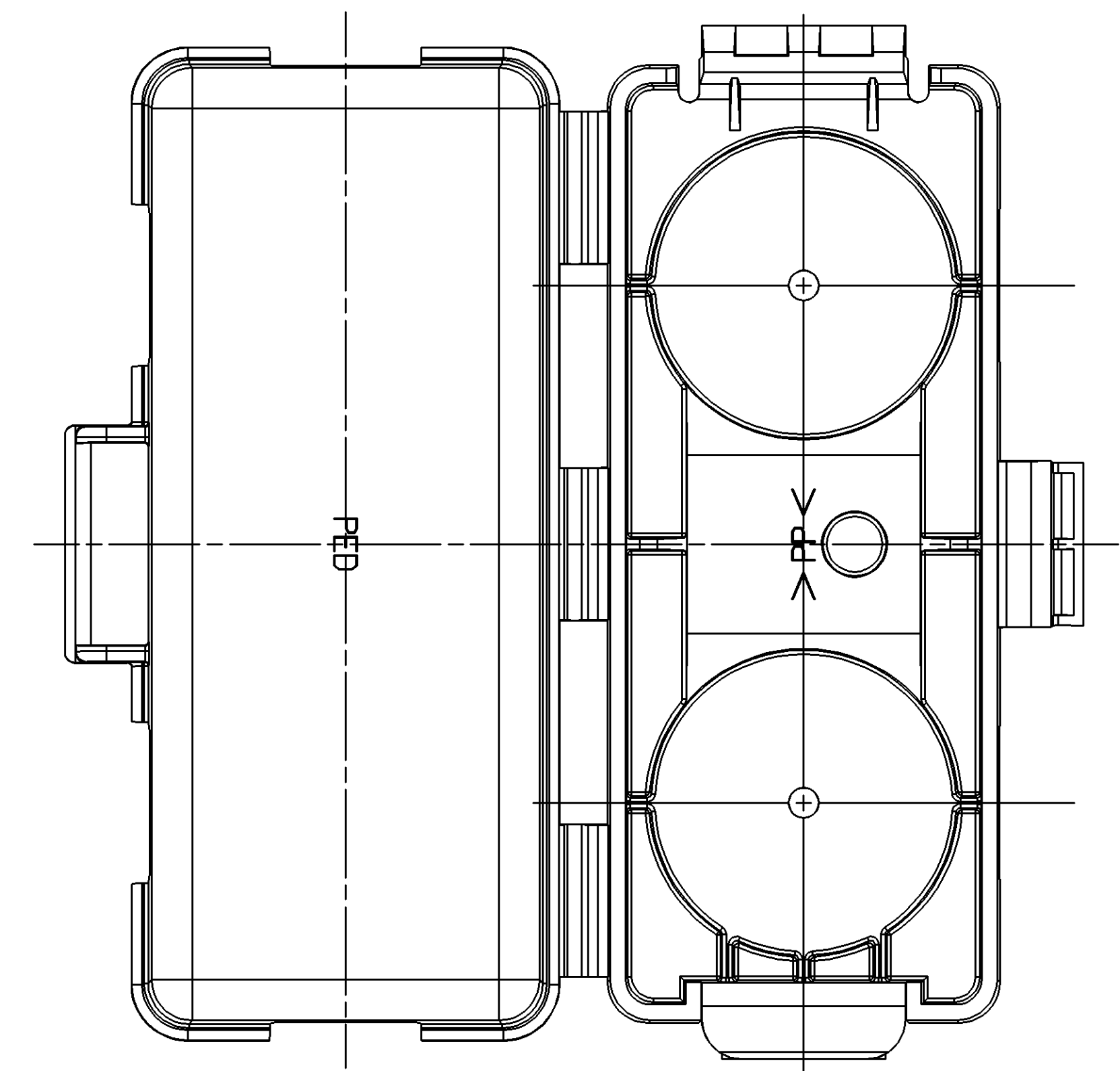
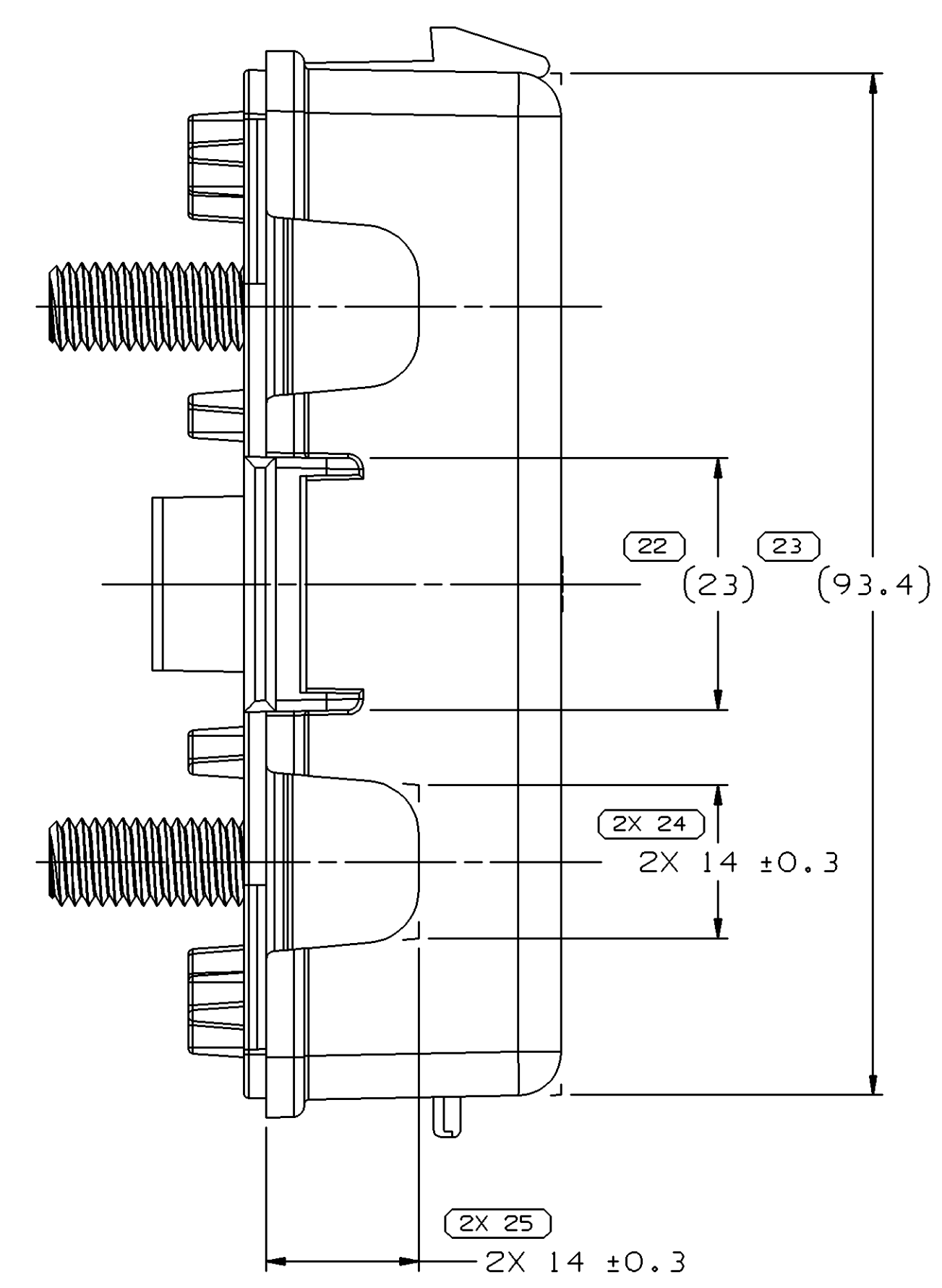
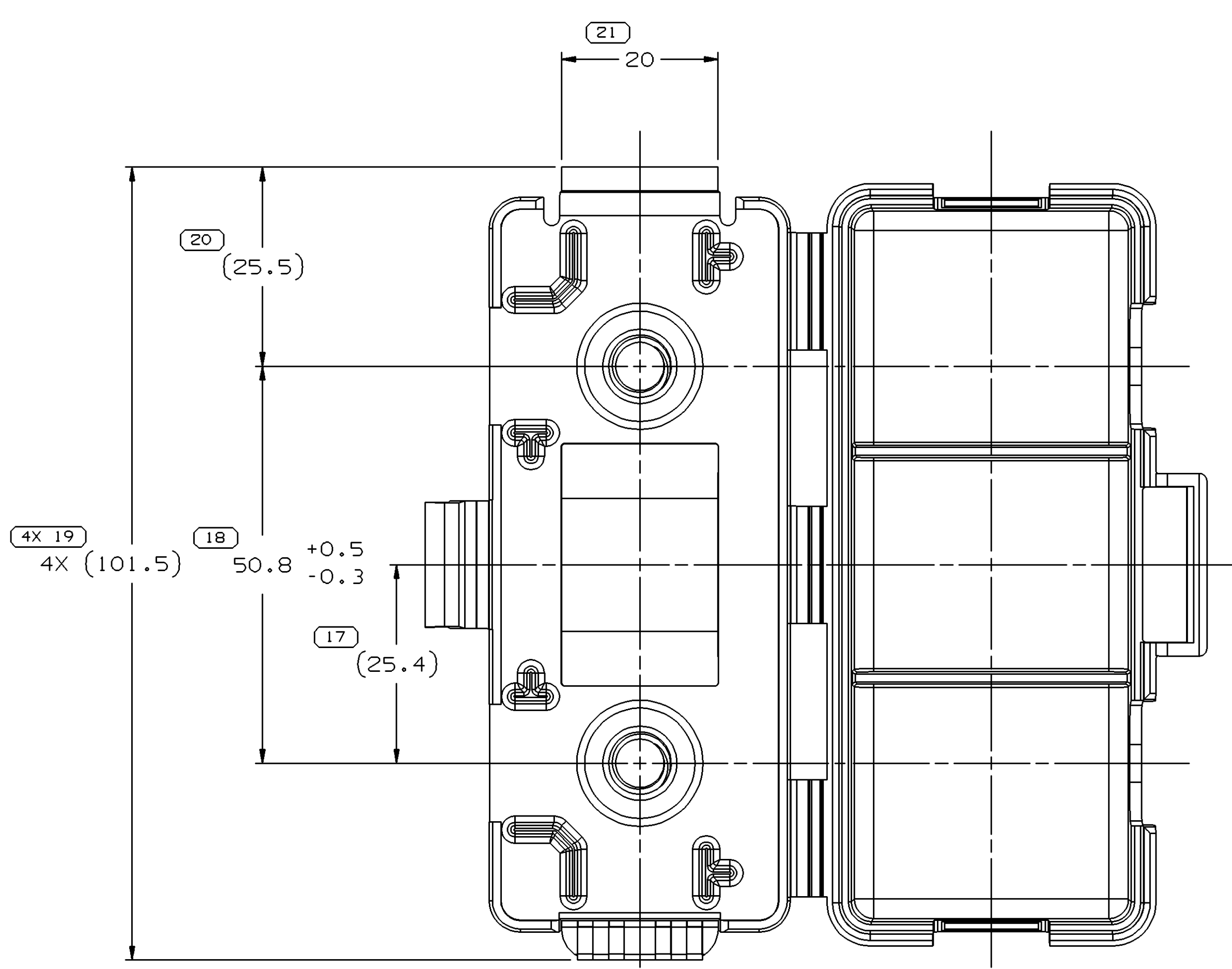
DWS STATUS					REVISION HISTORY					AUTH	DR	APVD
DATE	STG	REV	N/P	CHK	ZONE							
25MY04	R	01	-	-		RELEASED				256354	CTR	FRG



MOUNTING HOLE DETAIL
1.1 MAX ALLOWABLE SHEET METAL THICKNESS INCLUDING BURR

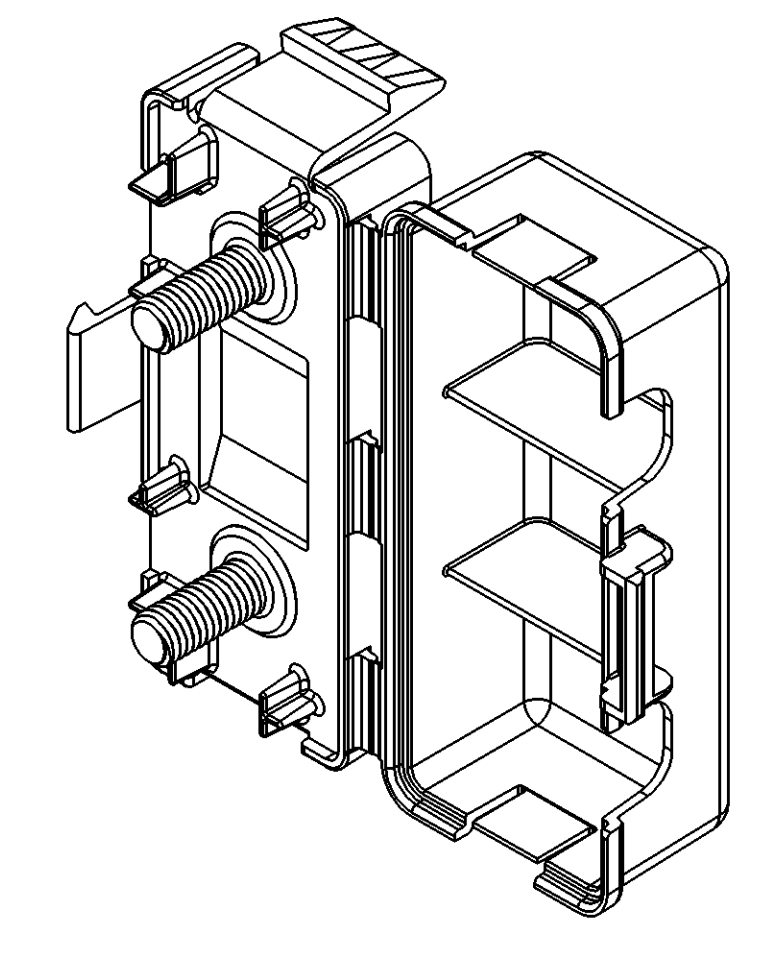


15492566 - BOLT -2 REQUIRED



NOTES

- UNLESS OTHERWISE SPECIFIED AND/OR INDICATED: DIMENSIONS ARE TO FACE OF VIEW SHOWN AND AUTOMATICALLY ROUNDED BY COMPUTER FOR INSPECTION (SEE MATH MODEL FOR PRECISE DIMENSIONS). FOR ALL OTHER DIMENSIONS NOT SHOWN BUT REQUIRED FOR TOOL BUILD, SEE MATH MODEL FOR PRECISE TOOL PATH DATA.
- REFERENCE MATING COMPONENTS OR EQUIVALENT: MEGA FUSE 12177251
- INSERTS MUST RESIST A TORQUE OF 25 NM WITHOUT STRIPPING OR TURNING IN PLASTIC. (REFERENCE)
- ALL EXTERIOR SURFACES OF COVER, EXCEPT HINGE AND LOCK, TO BE STIPPLE FINISHED PER MT-1055-5.
- RECOMMENDED NUT TORQUE 12-18 NM.
- MATERIAL RECYCLING CODE PER ISO 11469. (2,3)X(10,1) CHARACTERS AS SHOWN TO BE LOCATED ON ANY EXTERIOR SURFACE.
- REFERENCE VPS # B-134.
- (2,3)X(10,1) DELPHI CORPORATE BRAND TO BE LOCATED ON ANY EXTERIOR SURFACE, PREFERABLY VISIBLE AT FINAL ASSEMBLY. OPTIONAL CONSTRUCTION TO BE "PED".



DIMENSIONAL RANGE (MM)		CHART SET	
FROM	TO	SCALE	ANGLE
> 0	> 20	> 30	> 70
> 20	> 30	> 70	> 100
> 30	> 70	> 100	> 150
> 70	> 100	> 150	> 200
> 100	> 150	> 200	> 250
> 150	> 200	> 250	> 300
> 200	> 250	> 300	> 400
TOLERANCE UNLESS OTHERWISE SPECIFIED		USE MATH DATA	
±0.15	±0.2	±0.3	±0.4
±0.5	±0.6	±0.8	±1
±1	±1.2	ANGULAR TOLERANCE 12°	

DWS TYPE		PART DRAWING	
VOLUME (COP)	DISTR CODE	D	
38,494	6900		
UNLESS OTHERWISE SPECIFIED			
THIS DOCUMENT IS IN ACCORDANCE WITH ASME Y14.5M-1994 AS AMENDED BY THE DIMENSIONING AND TOLERANCING ADDENDUM-2003. SEPARATE PATTERNING OF FEATURES MAY BE OBTAINED SEPARATELY REGARDLESS OF REFERENCE.			
ALL DIMENSIONS ARE IN MILLIMETERS			

DELPHI
DELPHI PACKARD ELECTRIC SYSTEMS
WARREN, OH

DR	DATE
APVD1 CESAR TAPIA R.	08JL04
APVD2 FCO, RESENDIZ	15JL04
APVD3 MATTHEW ROUSSEL	30JL04
APVD4	
APVD5	

UNLESS OTHERWISE SPECIFIED
SUBSTANCES OF CONCERN AND RECYCLED CONTENT PER DELPHI 10949001

MATERIAL: M2097001 PP 1M BLK

DRAWING NAME: CONN 1 M FUSE BLK

DRAWING NUMBER: 15492654

SIZE: A0
SCALE: 2:1
FRAME NO: 1 OF 1
SHEET NO: 1 OF 1
STG REV: R 01