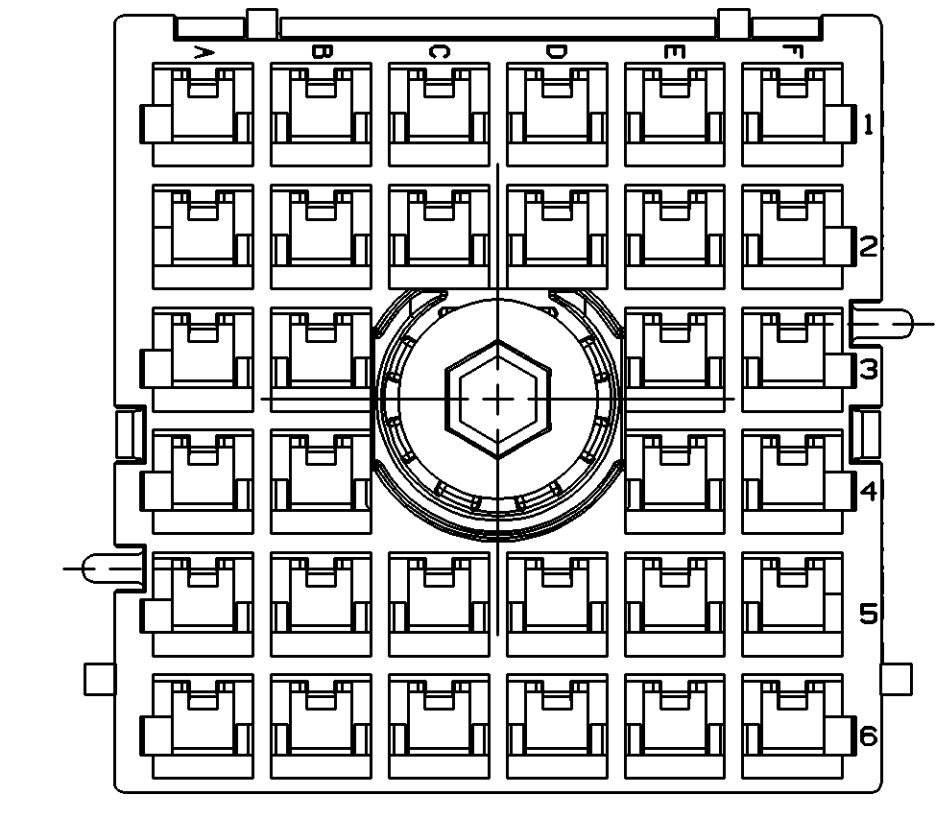
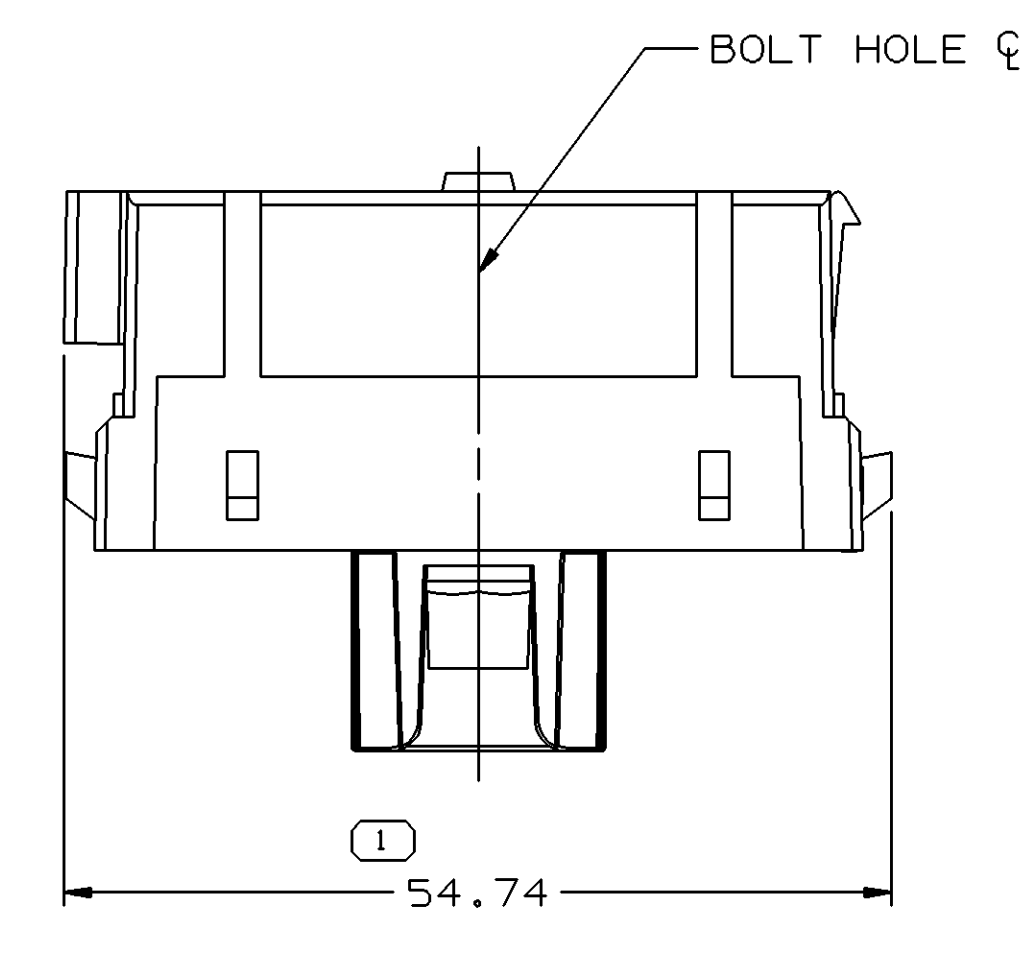
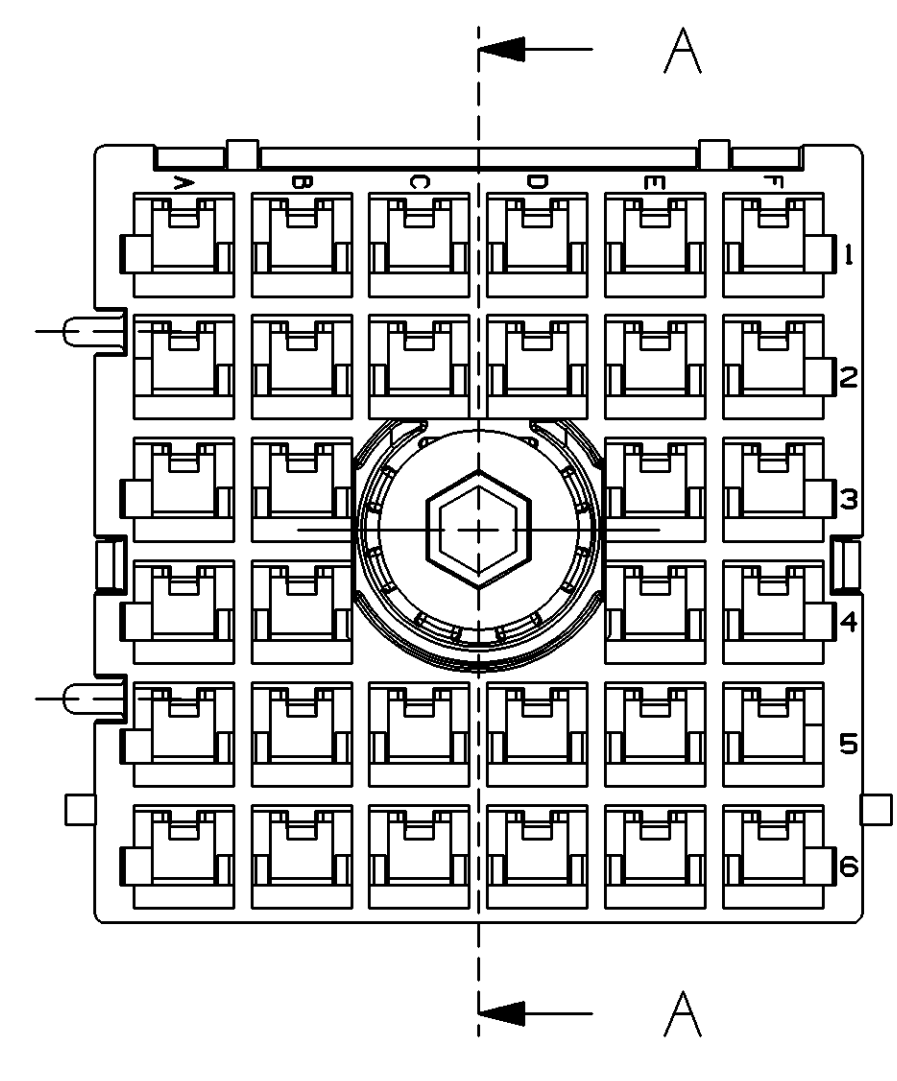
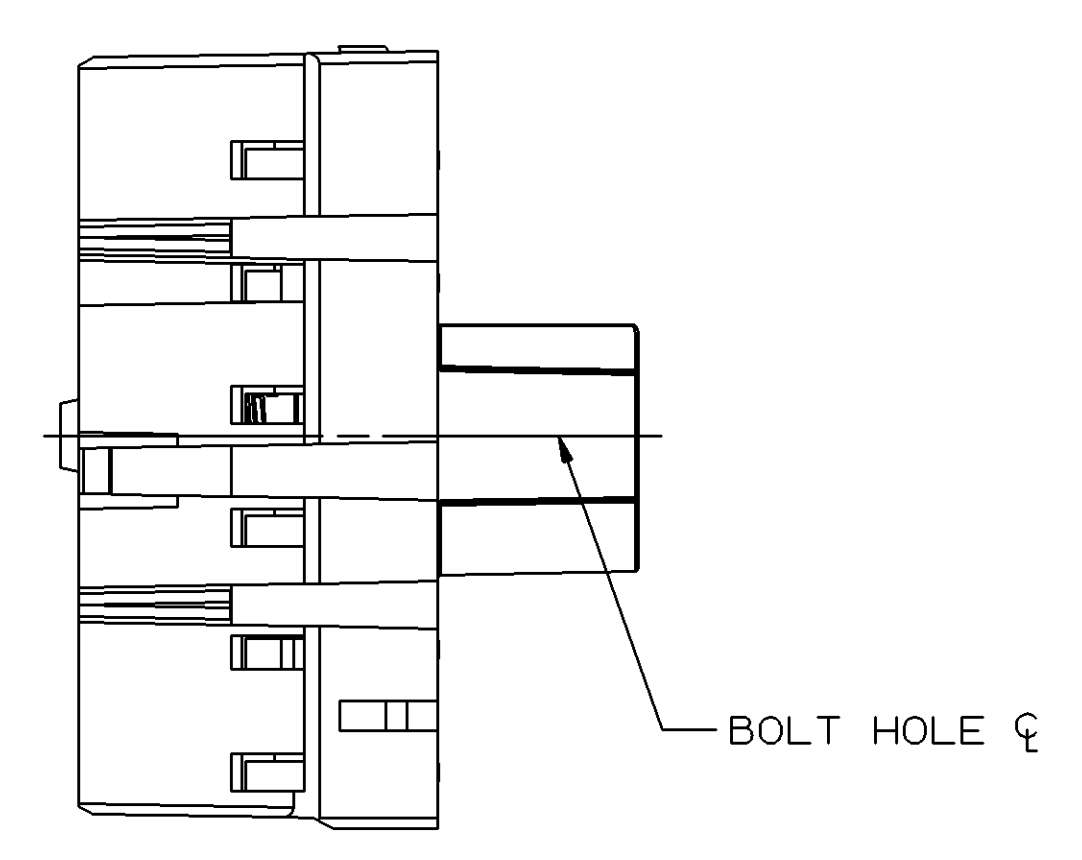


SYMBOL DEFINITION		MISSING SYMBOLS	
A DIMENSION WITHOUT AN INSPECTION REPORT SYMBOL DOES NOT REQUIRE INSPECTION. IT MAY BE CONTROLLED ON THE INDIVIDUAL COMPONENT DRAWING.	TOTAL NO OF INSPECTIONS REQUIRED	NO MISSING SYMBOL NUMBER	
	4		
	LAST NO. USED		
	4		

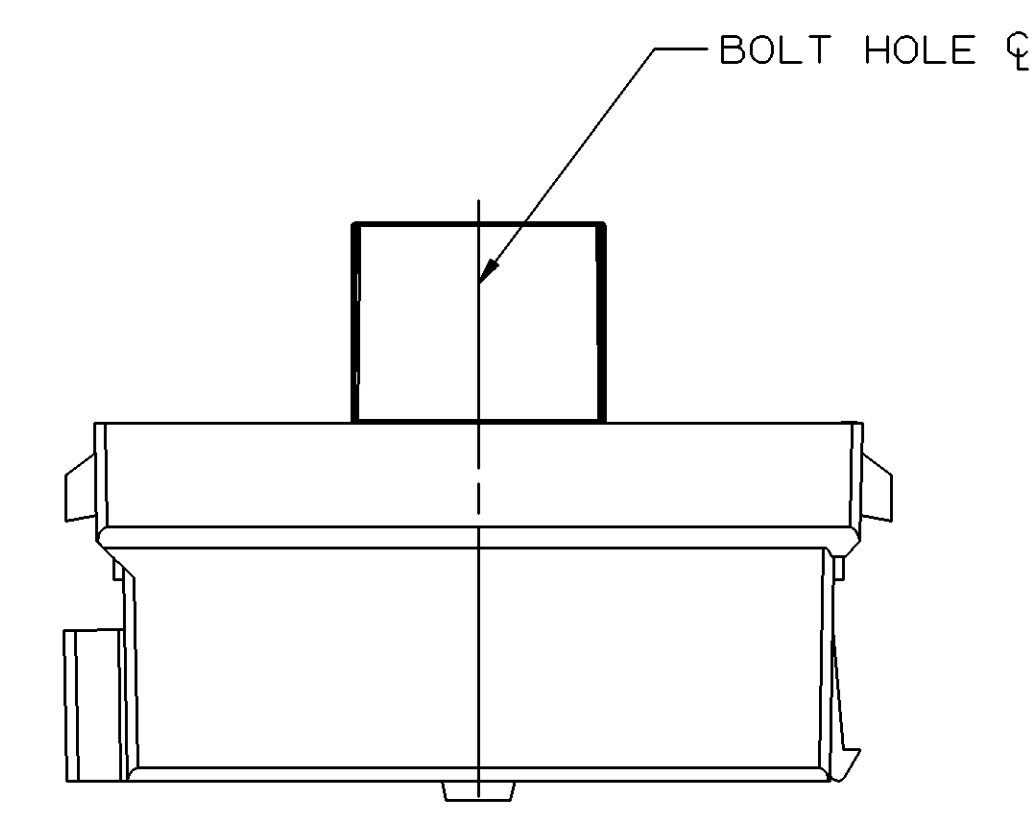
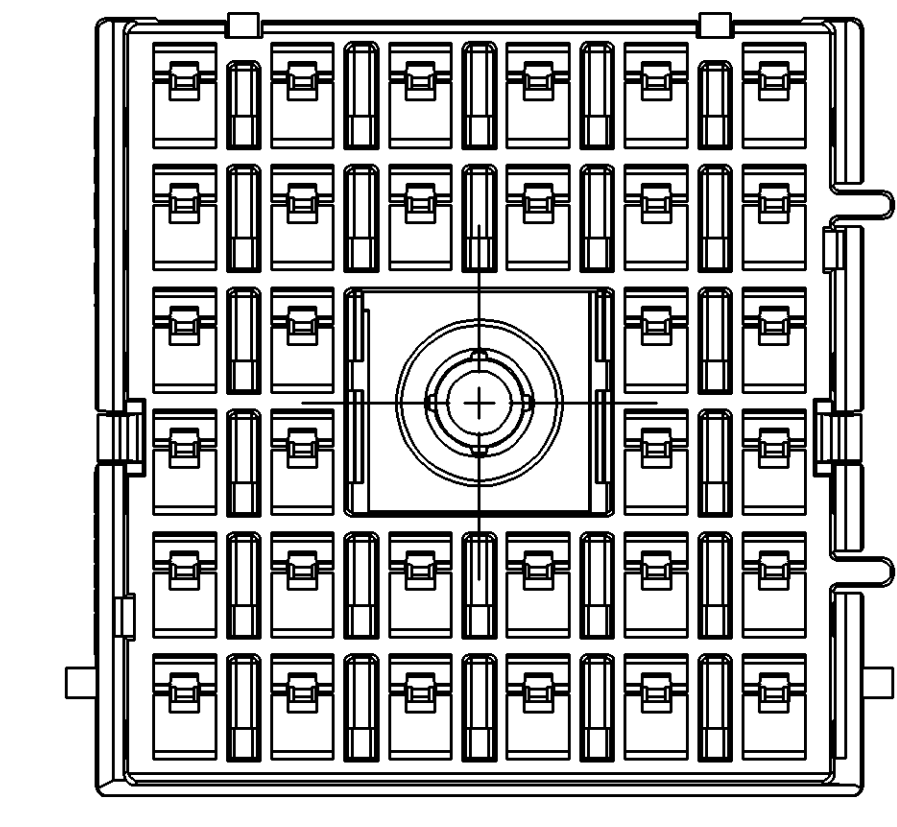
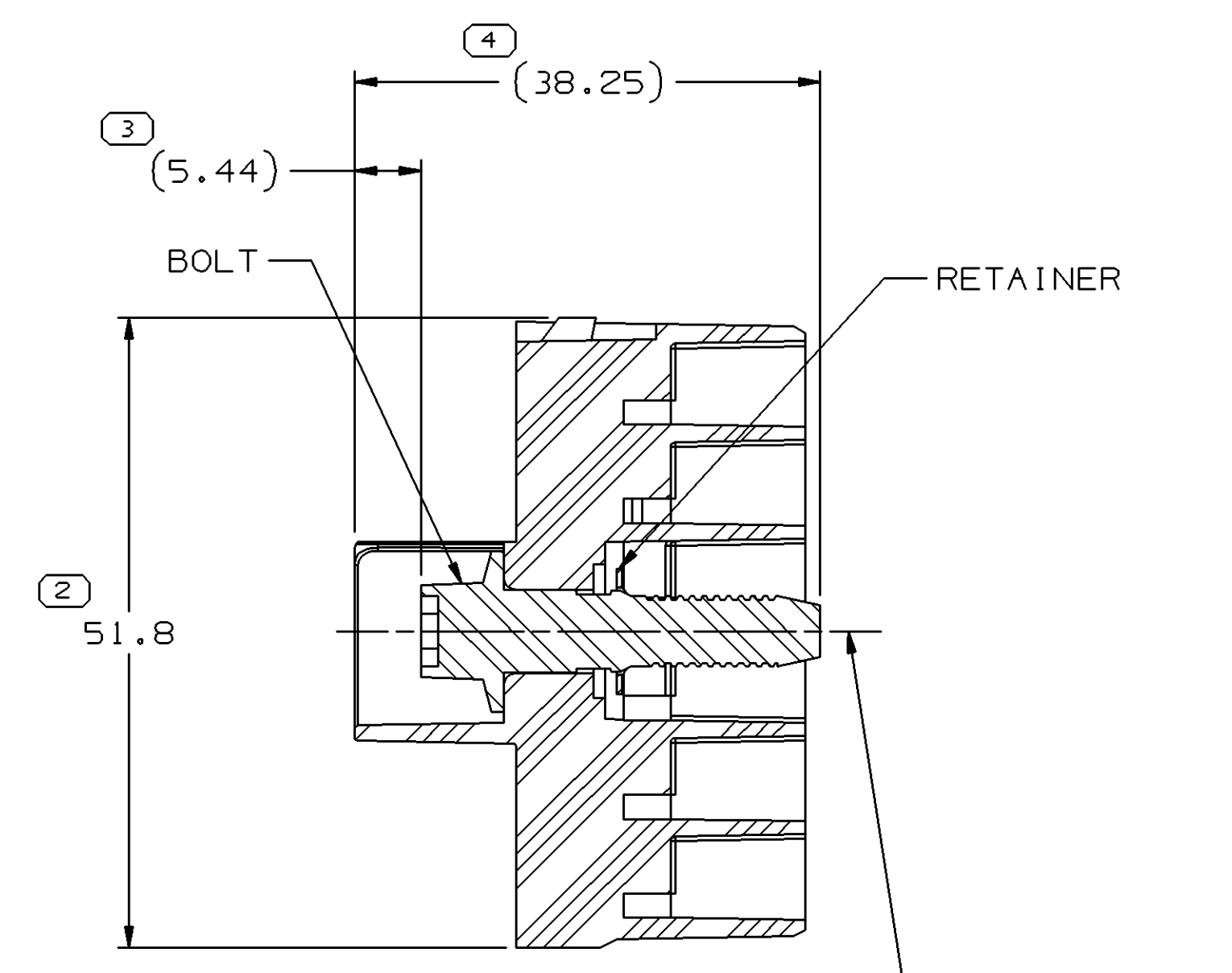
DWG STATUS						REVISION HISTORY				AUTH		
DATE	STG	REV	N/P	CHK	ZONE	DESCRIPTION	DATE	BY	CHK	REV	BY	CHK
01MR01	R	001	-	-		15409852 WAS PE079071, 15409854 WAS PE079073: REVISED AND RELEASED	207307	RH	RH			
28N001	R	002	-	-		ADDED NOTES	215538	TMR	TLP	MS		
25MY04	R	03	-	-		15492678 & 15492679 - RELEASED; 15409852 & 15409854 - RESTRICTED	256418	CCV	FRG	MGR		
270C05	R	04	-	-		15409852 & 15409854 - OBSOLETE	273542	CCV	FRG	MGR		



TYPE 102
SAME AS TYPE 101
EXCEPT AS SHOWN

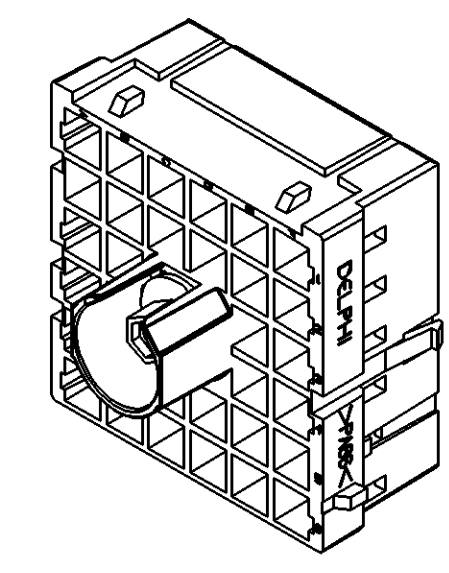


TYPE 101



NOTES

- UNLESS OTHERWISE SPECIFIED AND/OR INDICATED: DIMENSIONS ARE TO FACE OF VIEW SHOWN AND AUTOMATICALLY ROUNDED BY COMPUTER FOR INSPECTION (SEE MATH MODEL FOR PRECISE DIMENSIONS). FOR ALL OTHER DIMENSIONS NOT SHOWN BUT REQUIRED FOR TOOL BUILD, SEE MATH MODEL FOR PRECISE TOOL PATH DATA.
- THIS ASM TO BE BOLTED TO THE MATING CONNECTOR ASSEMBLY WITH A TORQUE ON THE BOLT OF 3 NM TO 5 NM.
- REFERENCE MATING COMPONENTS OR EQUIVALENT: LOWER HOUSING 15409849
- THIS PART ACCEPTS THE FOLLOWING COMPONENTS OR EQUIVALENT: SECONDARY TERMINAL LOCK (2) 15328851
- THESE COMPONENTS ARE THINSTOCK SENSITIVE.
- RETAINER MUST WITHSTAND A MINIMUM FORCE OF 805 N APPLIED AXIALLY TO THE THREADED END OF THE BOLT.
- ALL CAVITIES ACCEPT TERMINAL 12129424, 12110843 & 12129061 OR EQUIVALENT. MAXIMUM CORE CRIMP MUST BE LESS THAN 2.4 HIGH AND 3.75 WIDE. MAXIMUM INSULATION CRIMP MUST BE LESS THAN 6.1 HIGH AND 6.35 WIDE. MAXIMUM CABLE DIAMETER 5.5 MM.
- WHEN PARTS ARE SHIPPED, THEY MUST BE PACKED IN SUCH A WAY TO AVOID DAMAGE AND CONTAMINATION BY FOREIGN MATTER.
- SEALING CODE 0 - UNSEALED.



PART NO	REV	N/P	STATUS	TYPE	MATING LOWER HOUSING	BOLT	RETAINER	ACCEPTED TPA	CONNECTOR
15492678	01	-		102	15409849	15492568	15492512	15328851	15409851
15492679	01	-		101	15409849	15492568	15492512	15328851	15409853
15409852	01	AC	OBSOLETE	102	15409849	12065852	12004737	15328851	15409851
15409854	01	AC	OBSOLETE	101	15409849	12065852	12004737	15328851	15409853

DIMENSIONAL RANGE (MM)	TOLERANCE	CHART
FROM 0 TO 20	±0.13	1
20 TO 30	±0.15	2
30 TO 50	±0.20	3
50 TO 100	±0.25	4
100 TO 150	±0.30	5
150 TO 200	±0.35	6
200 TO 250	±0.40	7
250 TO 300	±0.45	8
300 TO 400	±0.50	9

DWG TYPE		PART DRAWING	
STYLE		DISTR CODE	D
VOLUME (CM³)			
UNLESS OTHERWISE SPECIFIED			
THIS DOCUMENT IS IN ACCORDANCE WITH ASME Y14.5M-1994 AS MODIFIED BY THE DIMENSIONAL DIMENSIONING AND TOLERANCING ADDENDUM-2001. SEPARATE PATTERNING OF FEATURES MAY BE OBTAINED SEPARATELY REGARDLESS OF DATUM REFERENCE.			
ALL DIMENSIONS ARE IN MILLIMETERS			
REFERENCE			

DELPHI
DELPHI PACKARD ELECTRIC SYSTEMS
WARREN, OH

DR	DATE
APVD1 ROBERT HURD	01MR01
APVD2 ROBERT HURD	01MR01
APVD3 ROBERT HURD	01MR01
APVD4	
APVD5	

SUBSTANCES OF CONCERN AND RECYCLED CONTENT PER DELPHI 10949001

MATERIAL

DRAWING NAME
TAXI ASM CONN F M/P 280 FLXLK

DRAWING NUMBER
15409856

SIZE A0 SCALE 2:1 FRAME NO 1 OF 1 SHEET NO 1 OF 1 REV N/P 04