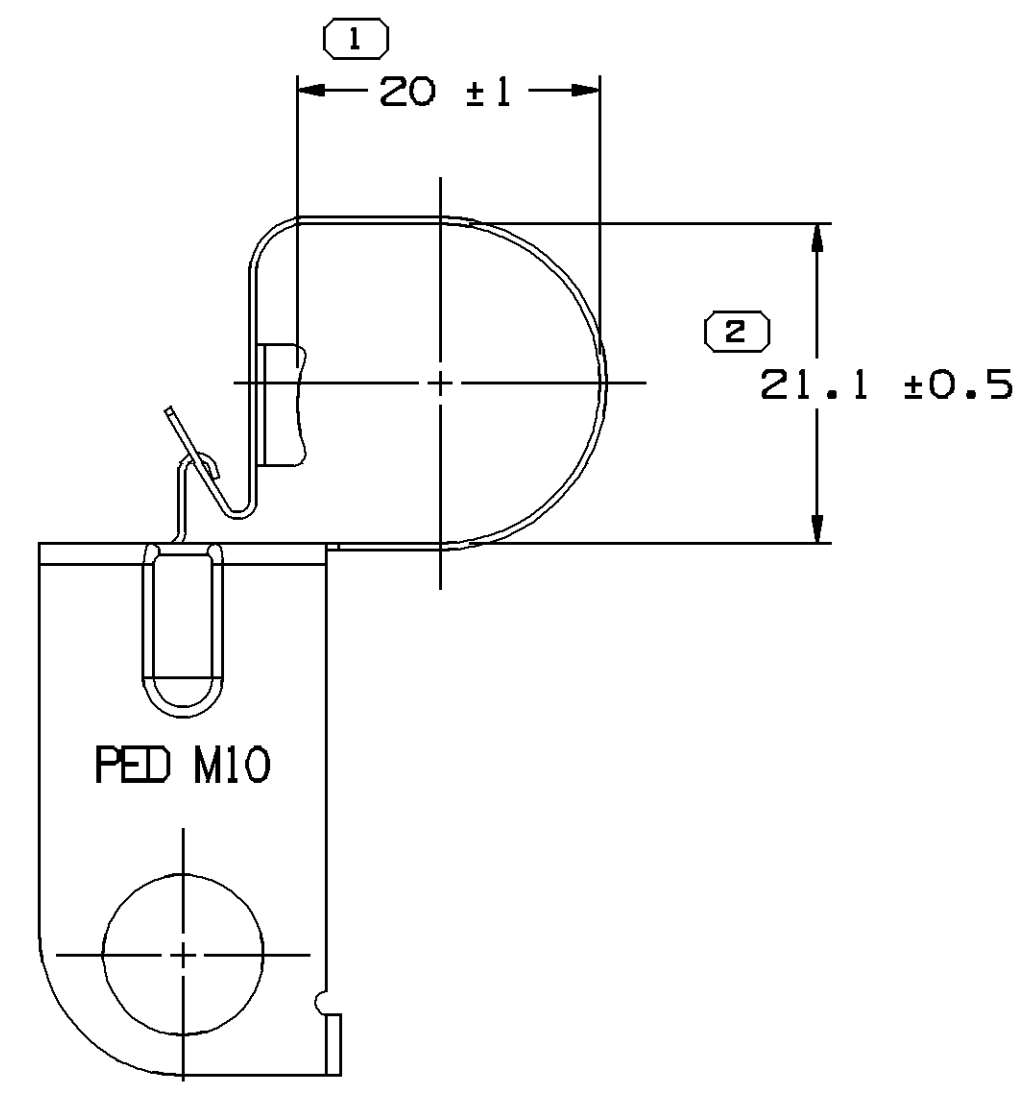
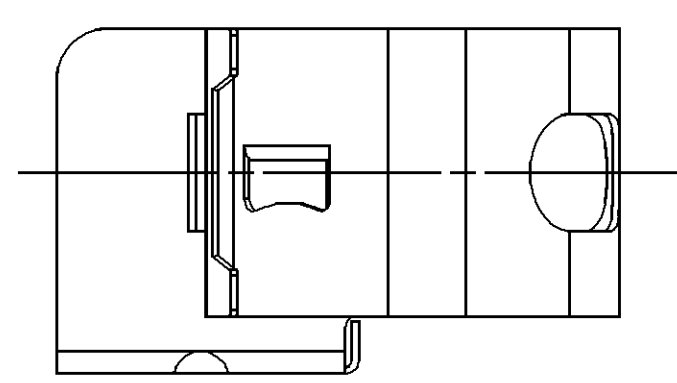
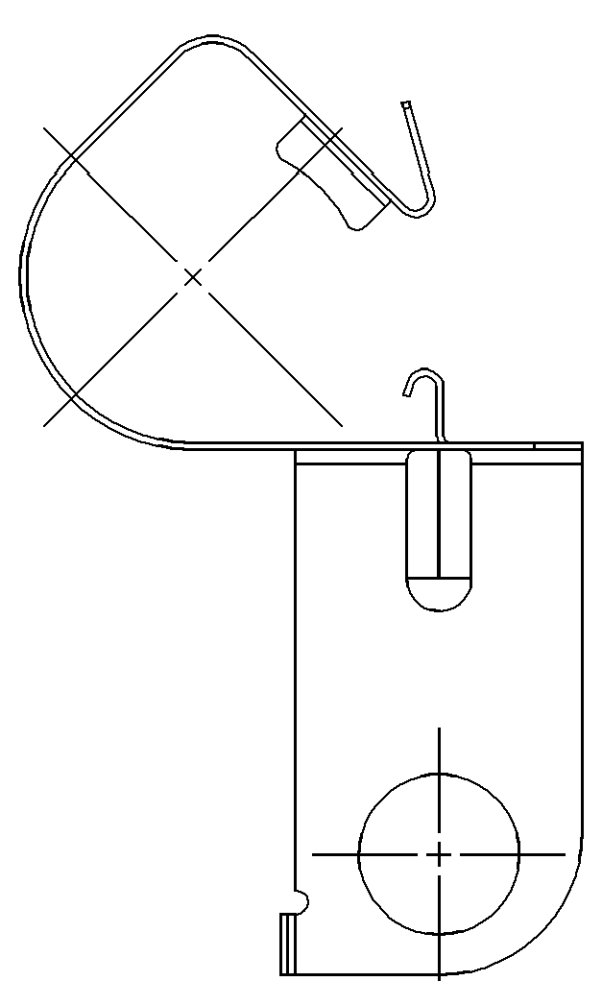
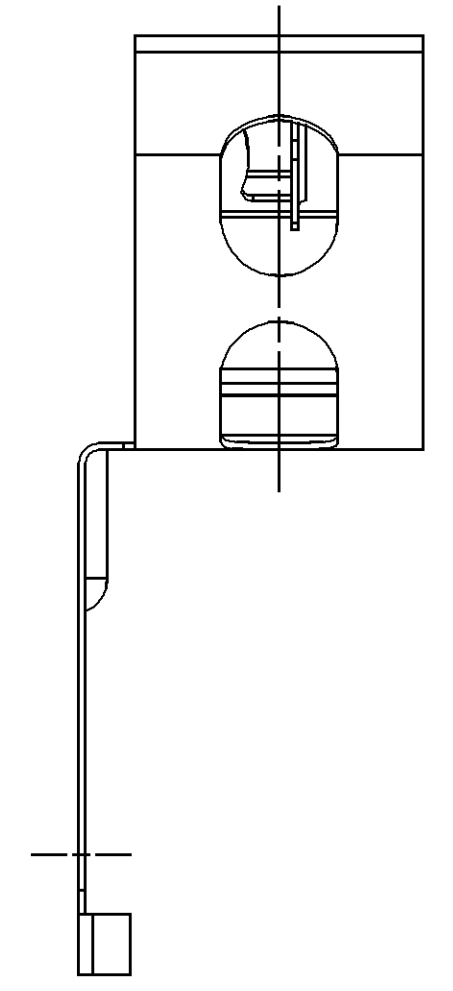
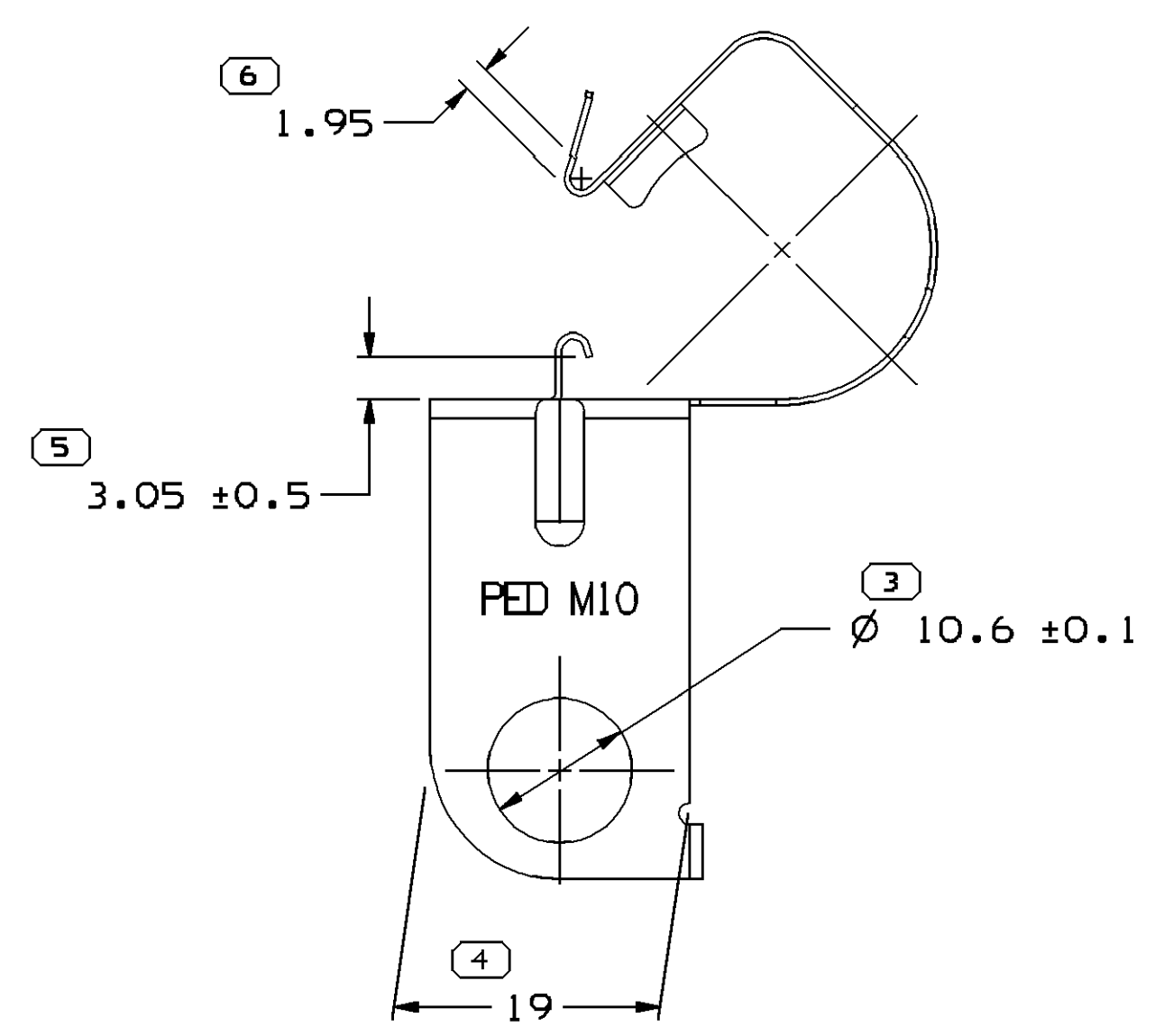
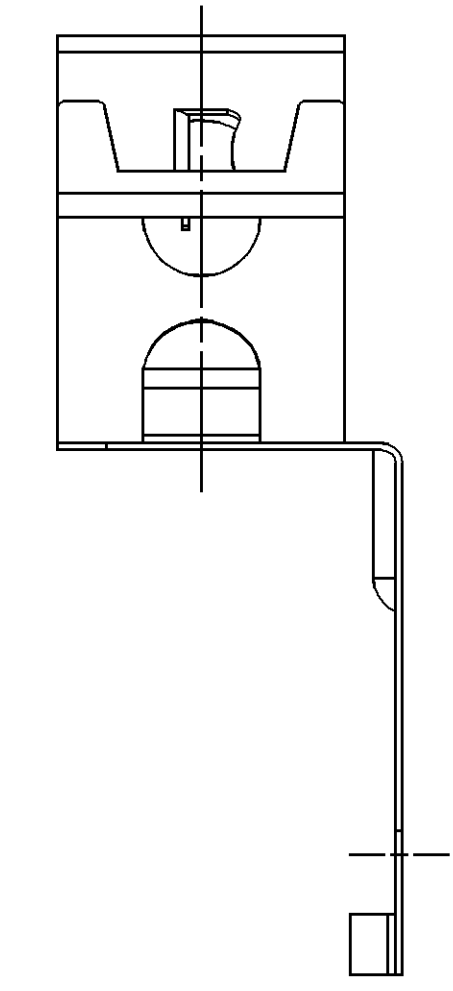
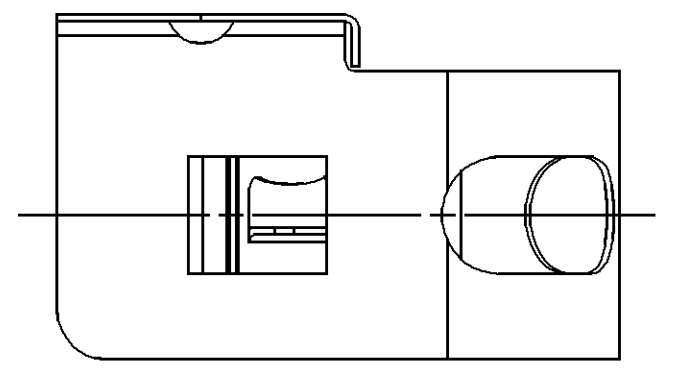


SYMBOL DEFINITION	
A DIMENSION WITHOUT AN INSPECTION REPORT SYMBOL DOES NOT REQUIRE INSPECTION. IT MAY BE CONTROLLED ON THE INDIVIDUAL COMPONENT DRAWING.	TOTAL NO OF INSPECTIONS REQUIRED
	6
	LAST NO. USED
	6

MISSING SYMBOLS		DWG STATUS				REVISION HISTORY				AUTH		DR		APVD	
NO MISSING SYMBOL NUMBER		DATE	STG	REV	N/P	CHG	ZONE					1	2	1	2
		02AU04	R	01	-	-		RELEASED		257551	CCV	JVM	SAN		
		06JN06	R	01	AA	-		ADDED CONDUIT AND BOLT SIZE NOTE		281324	RTV	JAA	TP		



CLOSED VIEW OF CLAMP

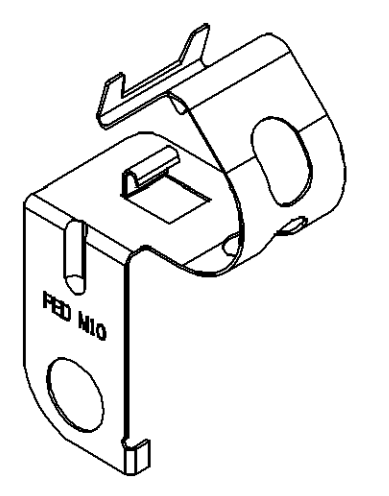


NOTES

- UNLESS OTHERWISE SPECIFIED AND/OR INDICATED:  
DIMENSIONS ARE TO FACE OF VIEW SHOWN AND AUTOMATICALLY ROUNDED BY COMPUTER FOR INSPECTION (SEE MATH MODEL FOR PRECISE DIMENSIONS). FOR ALL OTHER DIMENSIONS NOT SHOWN BUT REQUIRED FOR TOOL BUILD, SEE MATH MODEL FOR PRECISE TOOL PATH DATA.
- THIS PART TO ACCEPT 16 MM CONDUIT AND M10 BOLT.

PROCESS NOTES

- AUSTEMPER TO ROCKWELL "15N" B1 - 86.
- PLATE PER DX551245-P ZINC WITH CLEAR TRIVALENT CHROME & TOPCOAT.



5 PROCESS SENSITIVE DIMENSION	
DIMENSIONS ENCLOSED IN ( ) INDICATE REFERENCE DIMENSIONS AND NO TOLERANCE LIMITS ARE ESTABLISHED	
DIMENSIONAL RANGE (MM)	CHART
FROM 0	12
TO 12	> 12
TOLERANCE UNLESS OTHERWISE SPECIFIED	
±0.15	±0.3
ANGULAR TOLERANCE #2°	

DWG TYPE		PART DRAWING	
STYLE			
VOLUME (QTY)		DISTR CODE	
		D	
UNLESS OTHERWISE SPECIFIED			
THIS DOCUMENT IS IN ACCORDANCE WITH ASME Y14.5M-1994 AS AMENDED BY THE GM GLOBAL DIMENSIONING AND TOLERANCING ADDENDUM-2001. SEPARATE PATTERNS OF FEATURES MAY BE BAGGED SEPARATELY REGARDLESS OF DATUM REFERENCES.			
ALL DIMENSIONS ARE IN MILLIMETERS			
REFERENCE			
THIRD ANGLE PROJECTION		DO NOT SCALE	
USE MATH DATA			

<b>DELPHI</b>			
DELPHI PACKARD ELECTRIC SYSTEMS WARREN, OH			
DR		DATE	
APVD1	CESAR CERVANTES	19AU04	
APVD2	J. VILLAMIL	24AU04	
APVD3	SAM NORLING	30AU04	
APVD4			
APVD5			
SUBSTANCES OF CONCERN AND RECYCLED CONTENT PER DELPHI 10949001			
MATERIAL 0.455 THK SAE 1050 C.R. STEEL			
DRAWING NAME MOUN CLAMP CDT 16MM			
DRAWING NUMBER 15495909			
SIZE	SCALE	FRAME NO	SHEET NO
A1	2:1	1 OF 1	1 OF 1
STG	REV	N/P	AA
R	01		