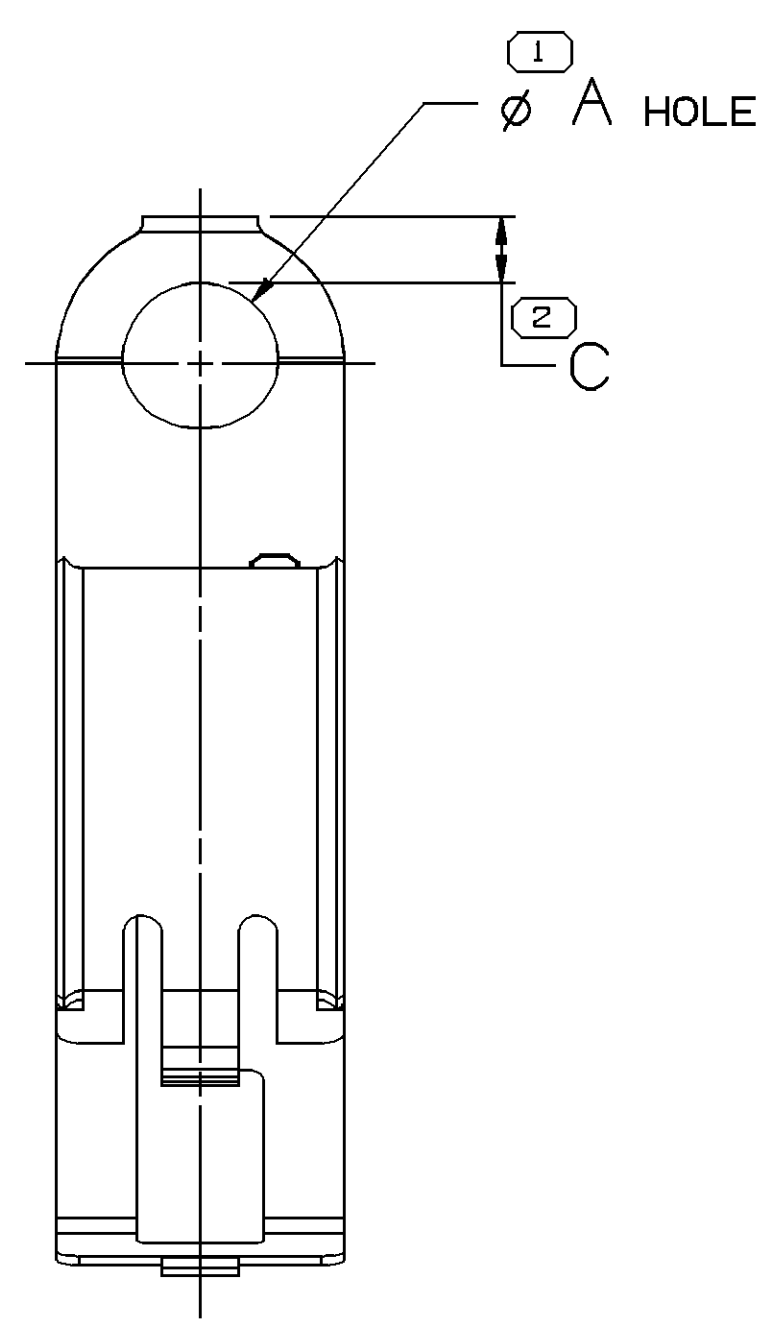
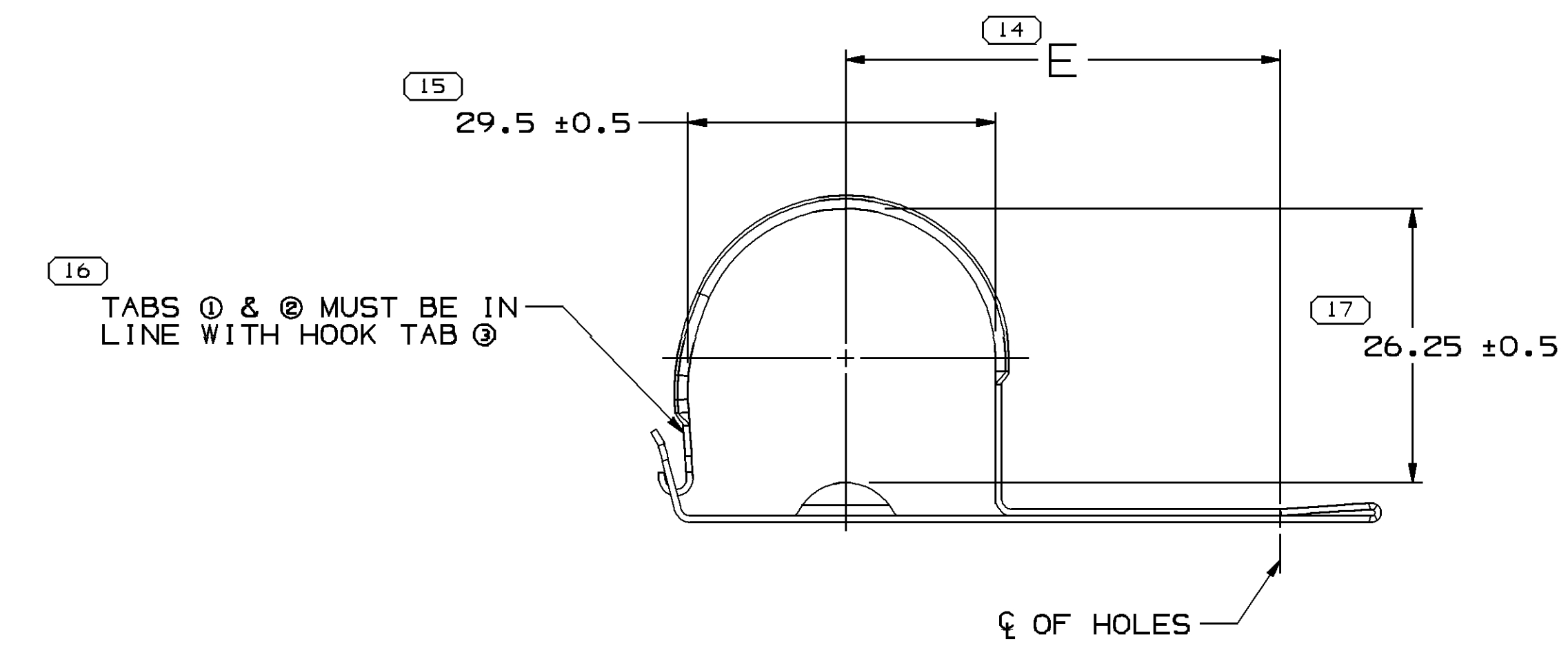
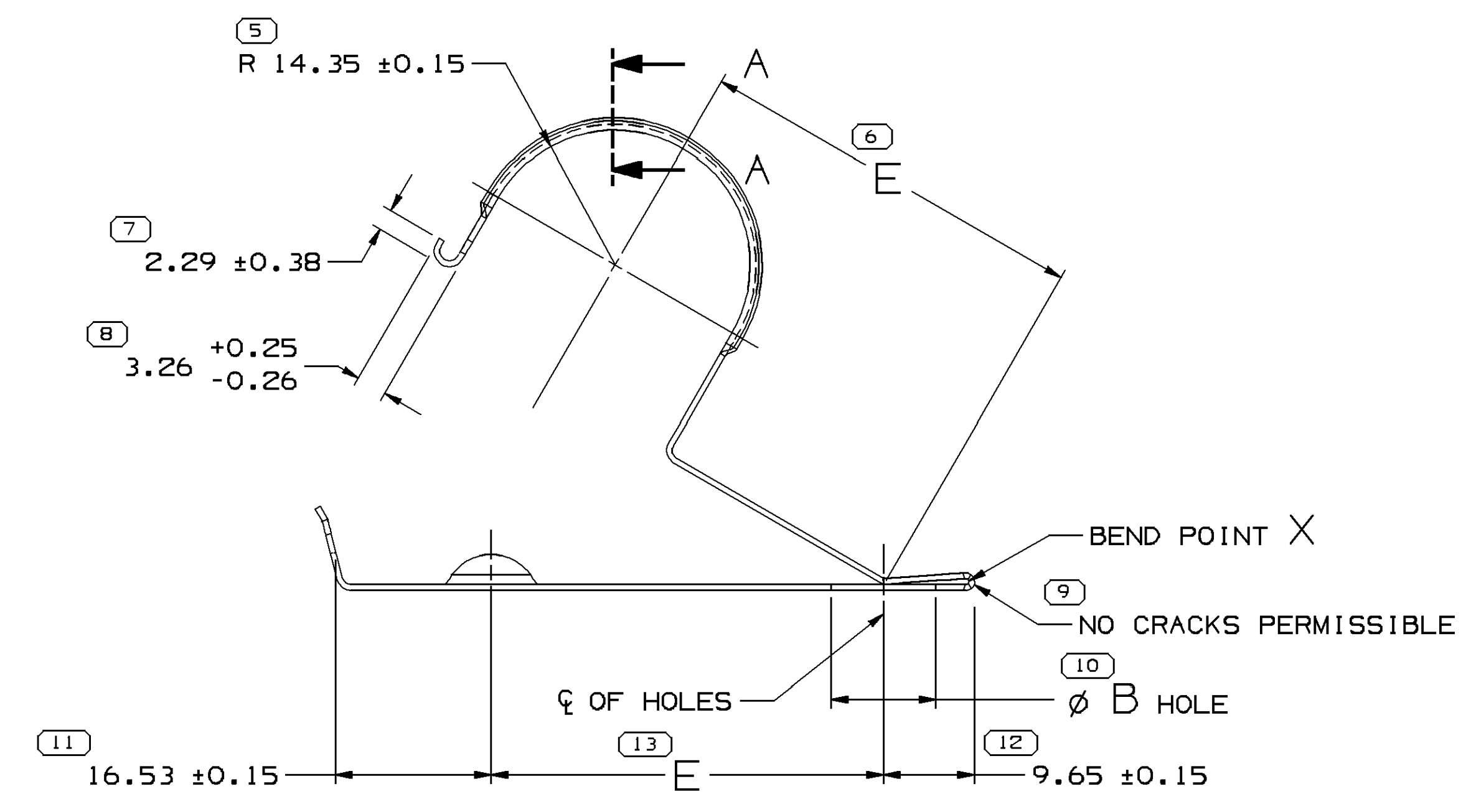
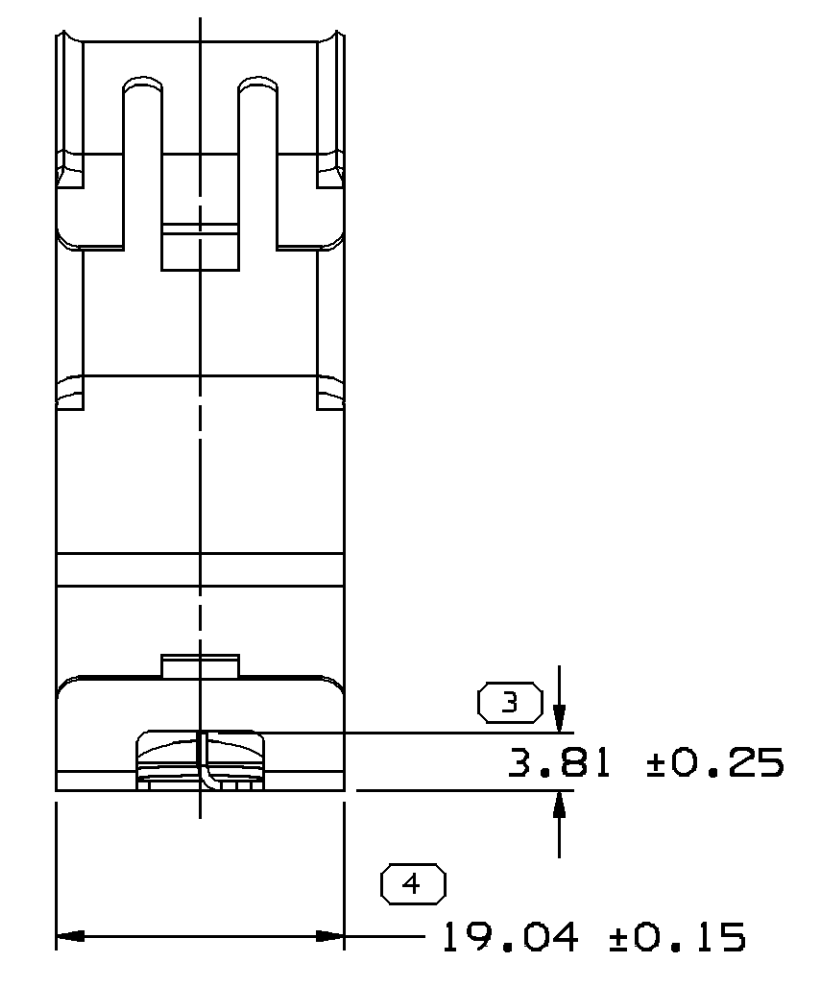


SYMBOL DEFINITION		TOTAL NO OF INSPECTIONS REQUIRED	17
A DIMENSION WITHOUT AN INSPECTION REPORT SYMBOL DOES NOT REQUIRE INSPECTION. IT MAY BE CONTROLLED ON THE INDIVIDUAL COMPONENT DRAWING.			
LAST NO. USED			17

MISSING SYMBOLS				NO MISSING SYMBOL NUMBER		REVISION HISTORY		AUTH	DR	AP/D
DATE	STG	REV	N/P	CHG	ZONE					
19M199	R	01	-	-		CLEARED REV COLUMN & ALL PARTS - REDRAWN	990009	JLL	JHV	ET
19M199	R	02	-	-		15355381 - RELEASED	990005	JLL	JHV	ET
02FE00	R	03	-	-		PD - UPDATED	196684	JEB	JEB	ET
23FE00	R	04	-	-		12020253, 12059002, 12089803, 12092429, & 12191304 REVISED C DIMS ALL PARTS - ADDED OPTIONAL CONSTRUCTION VIEW	198632	JAA	061	ET
14JN04	R	05	-	-		12092429 & 12191304 - OBSOLETE AND ADDED NOTE 4	253207	JBD	JAA	SAN
04AU04	R	06	-	-		15495902, 15495913, 15495914 - RELEASED, ADDED PROCESS NOTES 5 & 6	257561	ADK	ADK	SAN
23MR05	R	07	-	-		ALL ACTIVE PARTS - DRAWING NAME WAS TAXI MOUN CLAMP CDT	266193	CCV	JAA	TP
190C05	R	08	-	-		12020253 - OBSOLETE	273757	JTZ	FRG	P60
280C05	R	09	-	-		12059002 & 12089803 - OBSOLETE	273406	JTZ	JAA	P60
23FE06	R	10	-	-		ADDED MAT'L SIZE, MAT'L SPEC & CONDUIT SIZE COLUMNS TO CHART AND REMOVED NOTE #4: 13576427 - RELEASED AND ADDED PROCESS NOTE #7	277573	JBD	JAA	TP
13AP06	R	11	-	-		13580720 - RELEASED	278775	RMG	JAA	TP

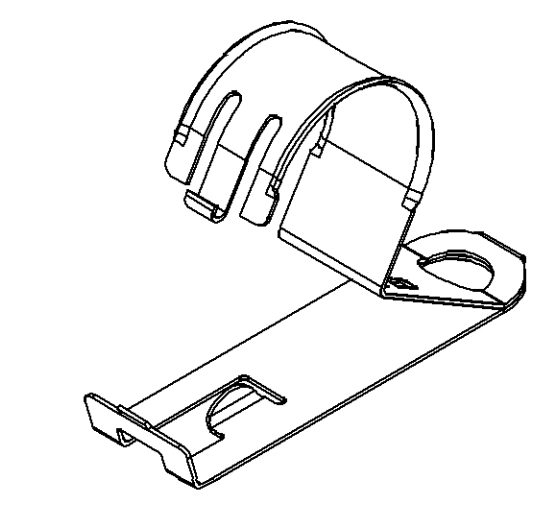


SECTION A-A
STRENGTHENING RIB
OPTIONAL CONSTRUCTION VIEW
SCALE 5:1



- NOTES
- UNLESS OTHERWISE SPECIFIED AND/OR INDICATED: DIMENSIONS ARE TO FACE OF VIEW SHOWN AND AUTOMATICALLY ROUNDED BY COMPUTER FOR INSPECTION. (SEE MATH MODEL FOR PRECISE DIMENSIONS.) FOR ALL OTHER DIMENSIONS NOT SHOWN BUT REQUIRED FOR TOOL BUILD, SEE MATH MODEL FOR PRECISE TOOL PATH DATA.
 - ANGULAR TOLERANCE ± 3°
 - DIMENSIONS WITHOUT * SHOWN ON THIS DRAWING ARE REFERENCE DIMENSIONS INTENDED FOR TOOLING DESIGN CRITERIA ONLY.

- PROCESS NOTES
- ZINC PLATE AND GOLD CHROMATE TREAT PER GM-4342-M CODE 10D24
 - PLATING-PHOSPHATE/ORGANIC/OIL COATING PER GM-6174-M BLACK
 - PHOSPHATE/ZINC PLATE PER GM-6111-M BLACK SHALL NOT BE OILY OR TACKY TO THE TOUCH.
 - PRE-PLATE WITH NIZN-COTE PLUS TO 0.00015 MIN PER SIDE. PLATING TO WITHSTAND 240 HR. NEUTRAL SALT FOG SPRAY WITH NO RED RUST ON ANY SURFACE OR 400 HRS WITH RED RUST ON BARE EDGES ONLY.
 - PLATE PER DX551245-P ZINC WITH CLEAR TRIVALENT CHROME AND TOPCOAT.
 - PLATE PER DX551318-P ZINC NICKEL WITH CLEAR TRIVALENT CHROME AND TOPCOAT. MUST WITHSTAND 400 HRS MINIMUM TO RED RUST IN NEUTRAL SALT FOG.
 - PLATING TO WITHSTAND 400 HOURS NEUTRAL SALT FOG SPRAY WITH NO RED RUST ON ANY SURFACE, EXCEPT FOR SHARP EDGES.



PART NO	REV	N/P	STATUS	MAT'L SIZE	MATERIAL SPECIFICATION	PROCESS NOTE	φA10.15	φB10.15	C10.15	E10.15	MOUNTING STUD	CONDUIT SIZE (MM)
13580720	01	-	-	0.61 X 19.04	M0929XXX-SAE 1008-1010 STRIP STEEL #3 TEMPER (QUARTER HARD TEMP) WITH NIZN PLUS PREPLATE	7	* 10.315 ± 0.125	* 11.125 ± 0.125	4.37	41.7	3/8	22
13576627	01	-	-	0.61 X 19.04	M0929XXX-SAE 1008-1010 STRIP STEEL #3 TEMPER (QUARTER HARD TEMP) WITH NIZN PLUS PREPLATE	7	* 6.425 ± 0.125	* 7.245 ± 0.125	6.45	41.7	M6	22
15495914	01	AA	-	0.61 X 19.04	SAE 1008-1010 STRIP STEEL #3 TEMPER (QUARTER HARD TEMP)	6	* 6.425 ± 0.125	* 7.245 ± 0.125	6.45	41.7	M6	22
15495913	01	AA	-	0.61 X 19.04	SAE 1008-1010 STRIP STEEL #3 TEMPER (QUARTER HARD TEMP)	6	* 10.315 ± 0.125	* 11.125 ± 0.125	4.37	41.7	3/8	22
15495902	01	AA	-	0.61 X 19.04	SAE 1008-1010 STRIP STEEL #3 TEMPER (QUARTER HARD TEMP)	5	* 10.315 ± 0.125	* 11.125 ± 0.125	4.37	41.7	3/8	22
15355381	01	AB	-	0.61 X 19.04	SAE 1008-1010 STRIP STEEL #3 TEMPER (QUARTER HARD TEMP)	4	* 8.5	* 10.5	5.45	41.7	M8	22
12191304	A3	-	OBSOLETE	0.61 X 19.04	SAE 1008-1010 STRIP STEEL #3 TEMPER (QUARTER HARD TEMP)	2	* 6.43	* 7.31	6.45	30	M6	22
12092429	A3	-	OBSOLETE	0.61 X 19.04	SAE 1008-1010 STRIP STEEL #3 TEMPER (QUARTER HARD TEMP)	2	* 11.9	* 12.68	3.7	41.7	7/16	22
12089803	A4	-	OBSOLETE	0.61 X 19.04	SAE 1008-1010 STRIP STEEL #3 TEMPER (QUARTER HARD TEMP)	3	* 6.425 ± 0.125	* 7.245 ± 0.125	6.45	41.7	M6	22
12059002	A5	-	OBSOLETE	0.61 X 19.04	SAE 1008-1010 STRIP STEEL #3 TEMPER (QUARTER HARD TEMP)	2	* 10.315 ± 0.125	* 11.125 ± 0.125	4.37	41.7	3/8	22
12020253	B5	-	OBSOLETE	0.61 X 19.04	SAE 1008-1010 STRIP STEEL #3 TEMPER (QUARTER HARD TEMP)	1	* 10.315 ± 0.125	* 11.125 ± 0.125	4.37	41.7	3/8	22

(7) PROCESS SENSITIVE DIMENSION

DIMENSIONS ENCLOSED IN () INDICATE REFERENCE DIMENSIONS AND NO TOLERANCE LIMITS ARE ESTABLISHED

DIMENSIONAL RANGE (MM) CHART D

FROM 0 TO 12 TOLERANCE UNLESS OTHERWISE SPECIFIED ±0.1 ±0.2

ANGULAR TOLERANCE 32°

THIRD ANGLE PROJECTION

DO NOT SCALE

USE MATH DATA

UNIGRAPHICS

DELPHI

DELPHI PACK/ARD ELECTRIC SYSTEMS
WVREN, OH

DATE

DR

AP/D1 JORGE IBARRA 19M199

AP/D2 JOSE HUERTA 02JN99

AP/D3 P. GHIRARDI 02AP85

AP/D4

AP/D5

SUBSTANCES OF CONCERN AND RECYCLED CONTENT PER DELPHI 10949001

MATERIAL SEE CHART

DRAWING NAME

TAXI MOUN CLAMP CDT

DRAWING NUMBER

12059003

SIZE A0 SCALE 2:1 FRAME NO 1 OF 1 SHEET NO 1 OF 1 REV N/P 11 -