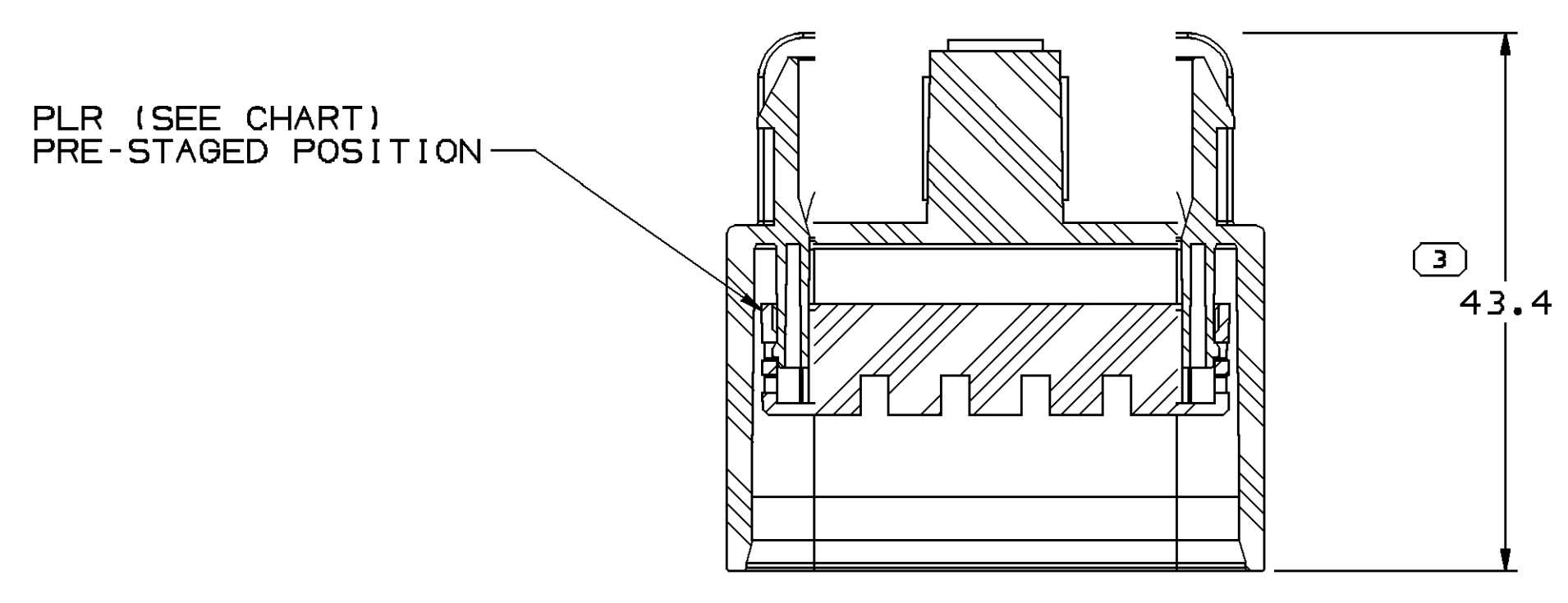
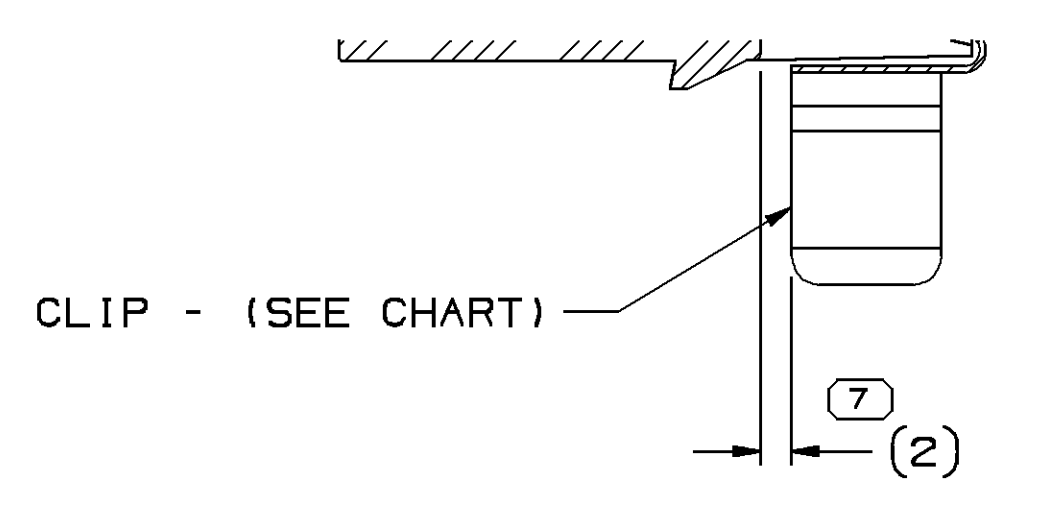


SYMBOL DEFINITION		TOTAL NO OF INSPECTIONS REQUIRED		LAST NO. USED	
A DIMENSION WITHOUT AN INSPECTION REPORT SYMBOL DOES NOT REQUIRE INSPECTION. IT MAY BE CONTROLLED ON THE INDIVIDUAL COMPONENT DRAWING.		7		7	

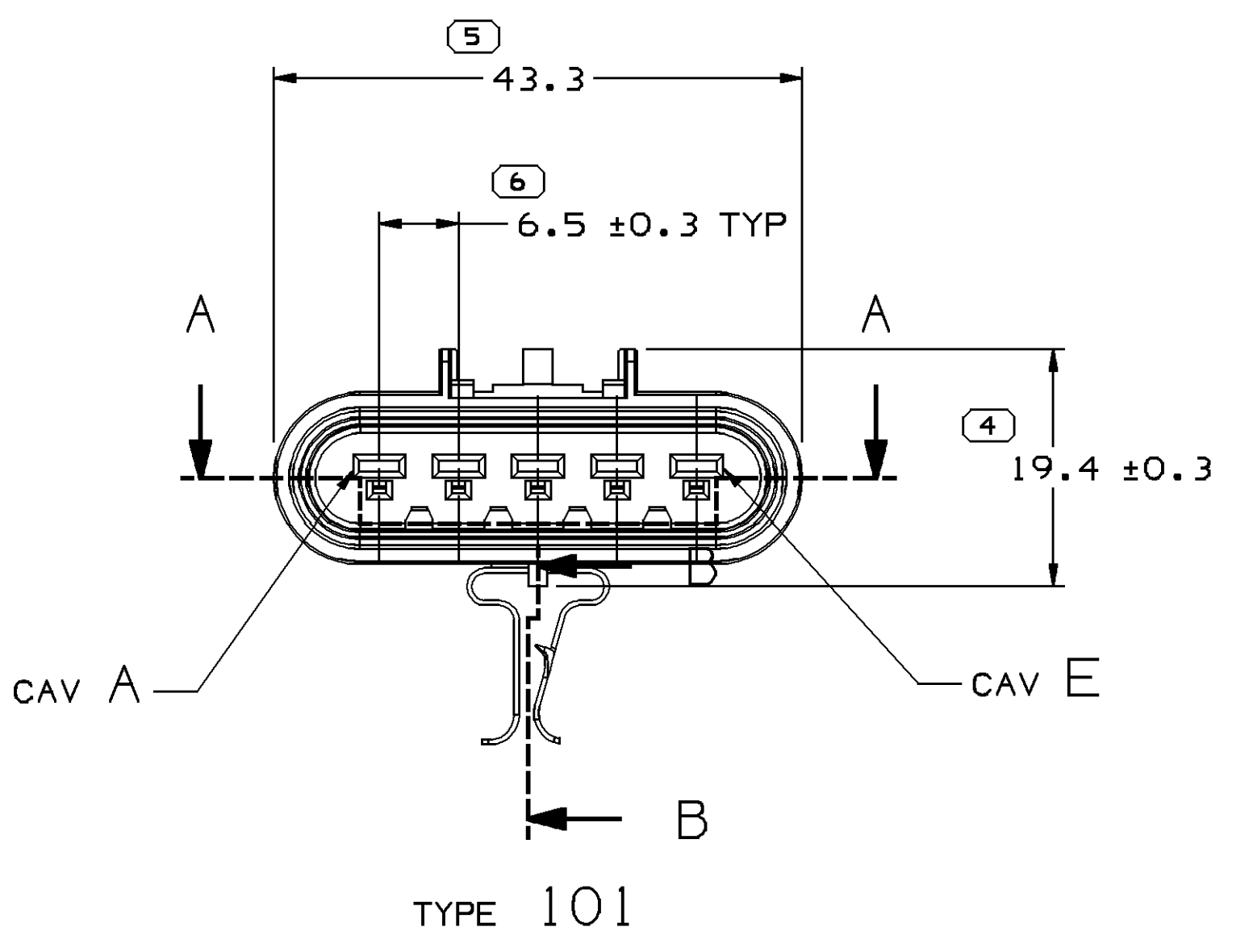
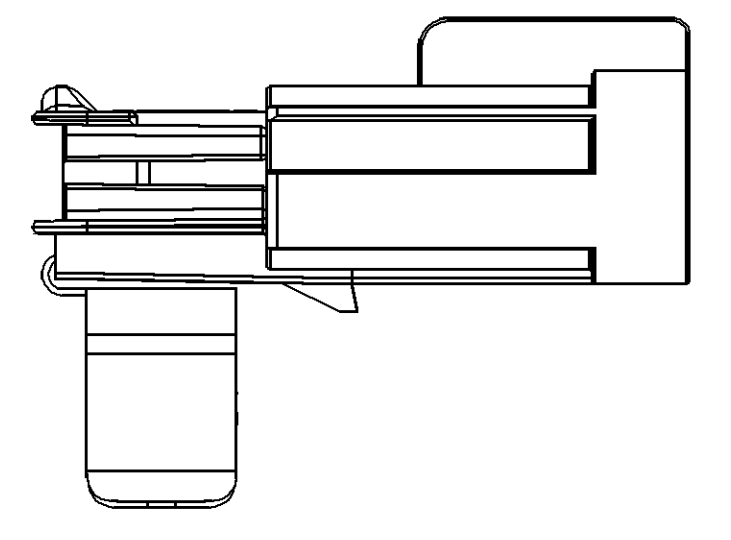
DWG STATUS						REVISION HISTORY			AUTH		
DATE	STG	REV	N/P	CHG	ZONE				DR	APVD	APVD
25NO02	-	01	-	-		ALL PARTS RELEASED	232895	JMR	JMR	MP	MP
11MR03	R	02	-	-		ALL PARTS - DIM WAS 0.89 ±0.3	238037	MAC	MAC	MP	MP
11AU04	R	03	-	-		15497265-66 - RELEASED	257929	JBD	FRG	SAN	SAN
21MR05	R	04	-	-		ALL PARTS - REMOVED MALE CONN AND PLR HEADERS ON CHART	266153	JPB	JAA	MLP	MLP
02NO05	R	05	-	-		15452567 & 15492568 - OBSOLETE	273578	RTV	FRG	P60	P60



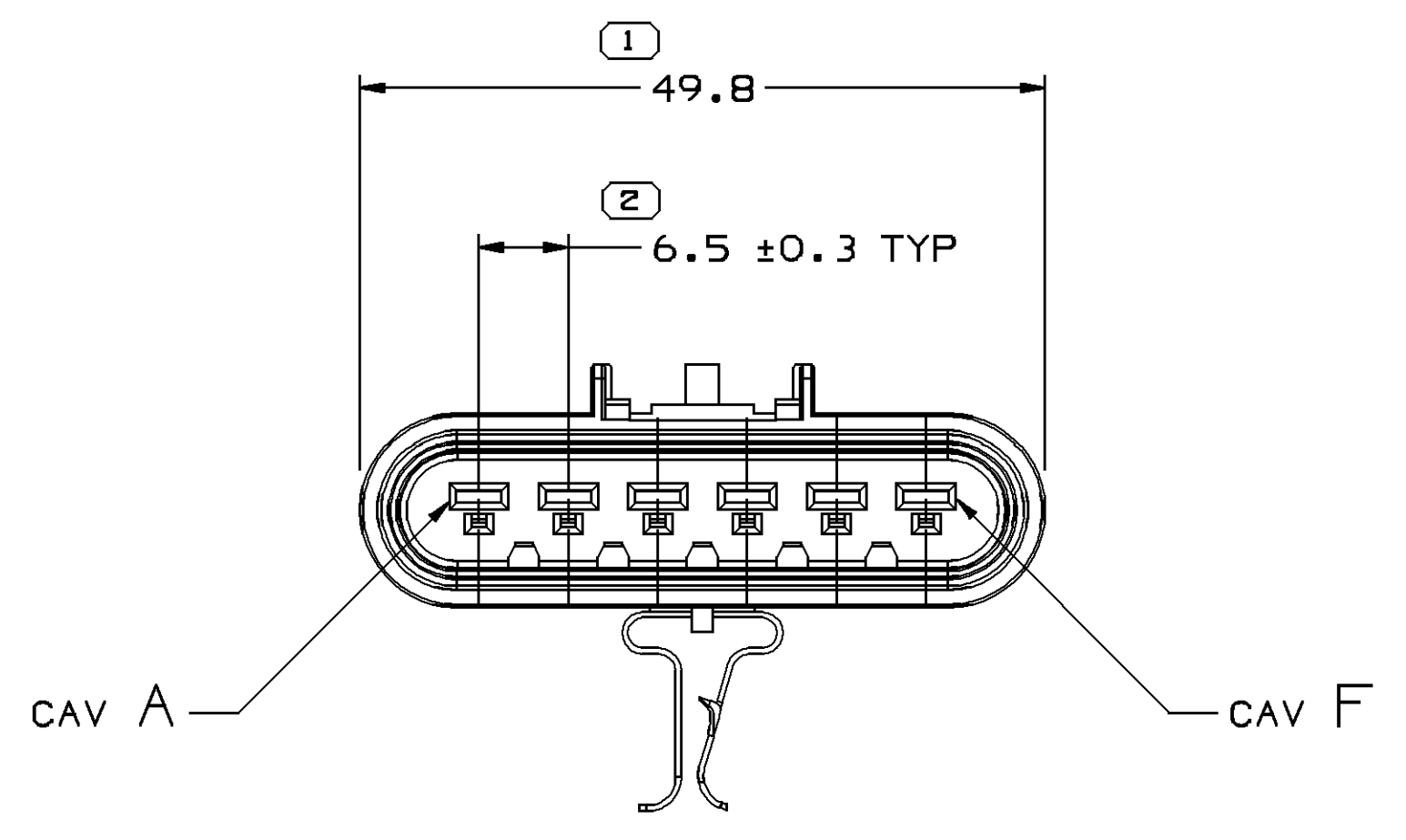
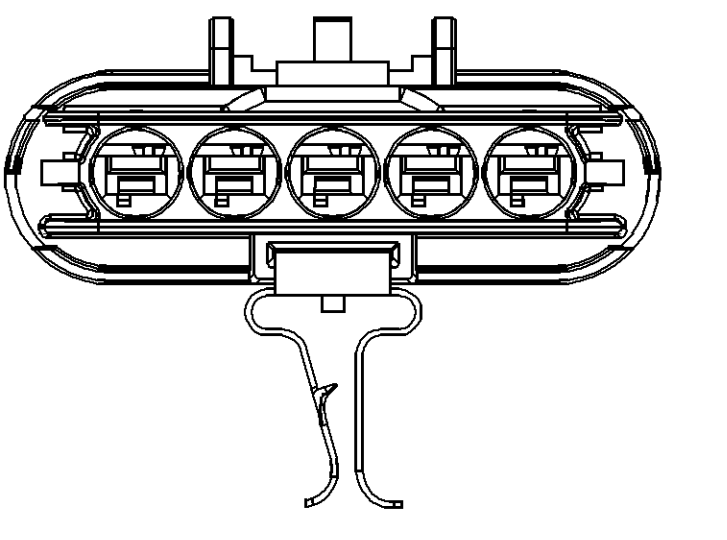
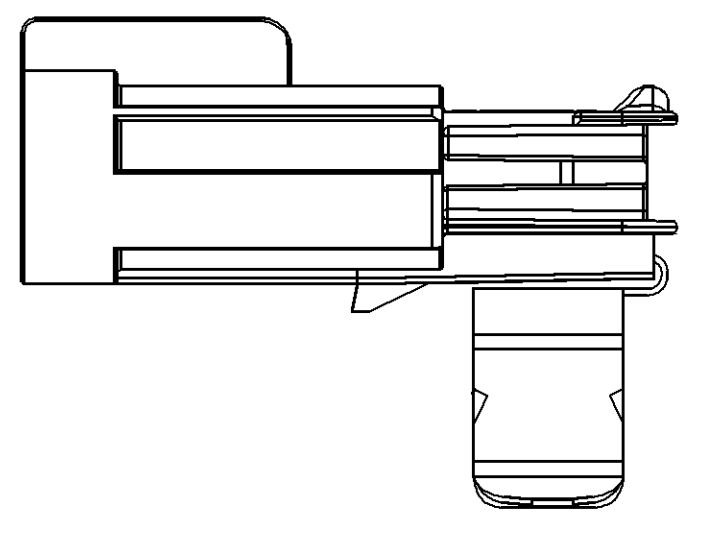
SECTION A-A



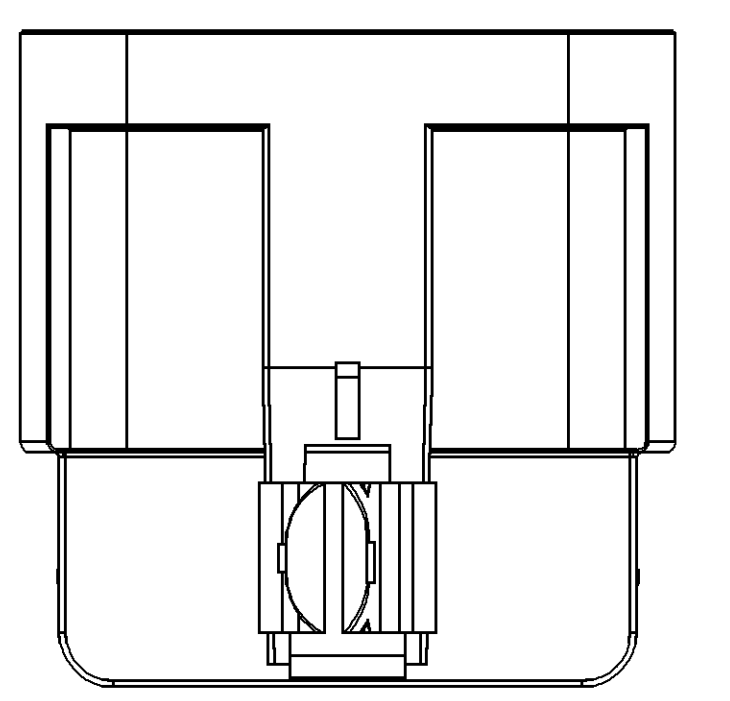
SECTION B-B



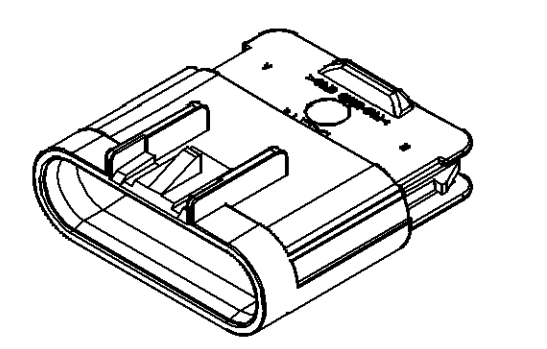
TYPE 101



TYPE 102  
SAME AS TYPE 101  
EXCEPT AS SHOWN



- NOTES
- UNLESS OTHERWISE SPECIFIED AND/OR INDICATED:  
DIMENSIONS ARE TO FACE OF VIEW SHOWN AND AUTOMATICALLY ROUNDED BY COMPUTER FOR INSPECTION (SEE MATH MODEL FOR PRECISE DIMENSIONS). FOR ALL OTHER DIMENSIONS NOT SHOWN BUT REQUIRED FOR TOOL BUILD, SEE MATH MODEL FOR PRECISE TOOL PATH DATA.
  - REFERENCE MATING COMPONENTS OR EQUIVALENT:  
TERMINAL 15304730  
CABLE SEAL 12191232  
PLASTIC MATING ASSEMBLIES:  
SEE CHART
  - (2,3)X(0,1) RAISED DELPHI CORPORATE BRAND TO BE LOCATED ON ANY EXTERIOR SURFACE, PREFERABLY VISIBLE AT FINAL ASSEMBLY. OPTIONAL CONSTRUCTION TO BE "PED" OR NO LOGO.



DIMENSIONAL RANGE (MM)		TOLERANCE		ANGULAR TOLERANCE	
FROM	TO	±	±	±	±
> 0	> 30	±0.15	±0.2	±0.3	±0.4
> 30	> 70	±0.2	±0.3	±0.5	±0.6
> 70	> 100	±0.3	±0.4	±0.6	±0.8
> 100	> 150	±0.4	±0.5	±0.8	±1.0
> 150	> 200	±0.5	±0.6	±1.0	±1.2
> 200	> 250	±0.6	±0.8	±1.2	±1.5
> 250	> 300	±0.8	±1.0	±1.5	±2.0

**DELPHI**  
DELPHI PACKARD ELECTRIC SYSTEMS  
WARREN, OH

DR	DATE
J. RAINEY	25NO02
J. RAINEY	25NO02
J. RAINEY	25NO02
MATT PENN	26NO02

UNLESS OTHERWISE SPECIFIED:  
THIS DOCUMENT IS IN ACCORDANCE WITH ASME Y14.5M-1994 AS MODIFIED BY THE IN CHARGE, DIMENSIONING AND TOLERANCE MANUAL (D&T), ALL DIMENSIONS UNLESS OTHERWISE SPECIFIED SHALL BE IN MILLIMETERS. ALL DIMENSIONS ARE TO FACE UNLESS OTHERWISE SPECIFIED. DIMENSIONS UNLESS OTHERWISE SPECIFIED SHALL BE IN MILLIMETERS. DIMENSIONS UNLESS OTHERWISE SPECIFIED SHALL BE IN MILLIMETERS. DIMENSIONS UNLESS OTHERWISE SPECIFIED SHALL BE IN MILLIMETERS. DIMENSIONS UNLESS OTHERWISE SPECIFIED SHALL BE IN MILLIMETERS.

PROCESS SENSITIVE DIMENSION  
DIMENSIONS ENCLOSED IN ( ) INDICATE REFERENCE DIMENSIONS AND NO TOLERANCE LIMITS ARE ESTABLISHED

THIRD ANGLE PROJECTION  
DO NOT SCALE  
USE MATH DATA

DRAWING NAME: TAXI ASM CONN M 6T 280 SLD  
DRAWING NUMBER: 15452956  
SCALE: 2:1  
SHEET NO: 1 OF 1  
REV: R 05

PART NO	REV	N/P	STATUS	TYPE	CONNECTOR ASM	MATING CONN ASM	CLIP
15497266	01	AA	-	102	15326640 / ID406215	15326635 / ID406213	15495794
15497265	01	AA	-	101	15326647 / ID406208	15326642 / ID406206	15495794
15452568	01	AC	OBSOLETE	102	15326640 / ID406215	15326635 / ID406213	15374233
15452567	01	AC	OBSOLETE	101	15326647 / ID406208	15326642 / ID406206	15374233