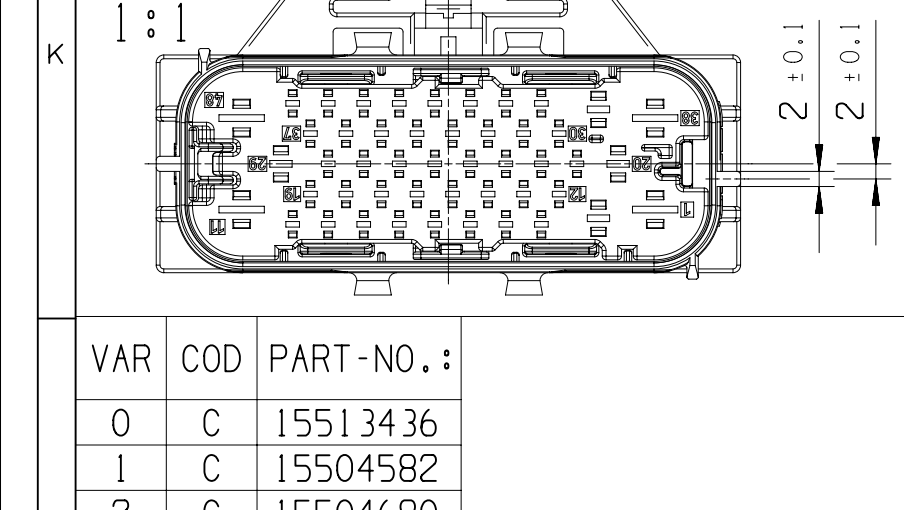
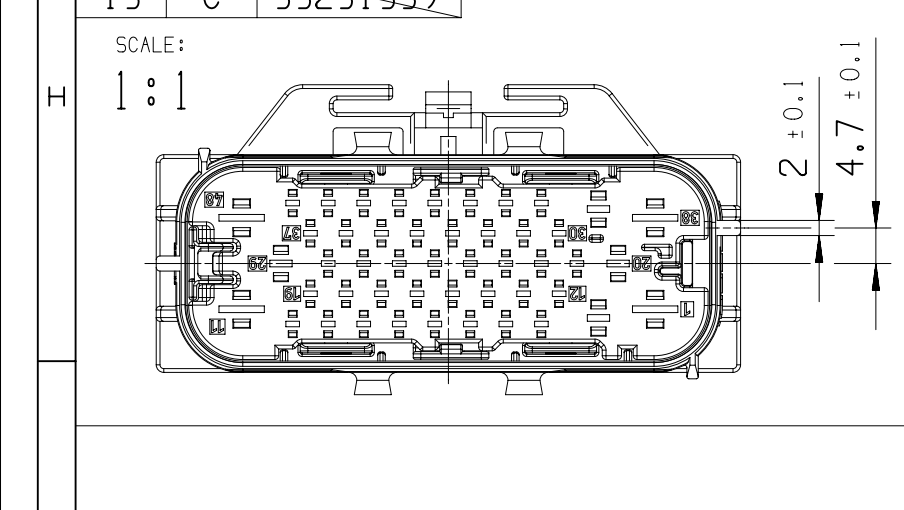


VAR COD PART-NO.: 0 A 15513438



VAR COD PART-NO.: 0 B 15513437



VAR COD PART-NO.: 0 C 15513436

Table with columns: PART-NO., 1-48, WITH "X" MARKED CAVITIES INDICATE BLOCKED CAVITIES, NUMBER OF CAVITIES AVAILABLE

Table with columns: VAR, COD, PART-NO., TITLE, PART-NO., PART-REV, DATE, AMOUNT, MATERIAL, SIMILAR TO BAL, NOTES, DATE, STATUS, ZONE, REVISION HISTORY, AUTH, DR, APVD 1, APVD 2

Table with columns: TITLE, PART-NO., CABLE DIAMETER, MATERIAL

Table with columns: TITLE, PART-NO., CABLE CROSS SECTION (MM²), MATERIAL, NOTES

Table with columns: VAR, COD, PART-NO., TITLE, PART-NO., PART-REV, DATE, AMOUNT, MATERIAL, SIMILAR TO BAL, NOTES, DATE, STATUS, ZONE, REVISION HISTORY, AUTH, DR, APVD 1, APVD 2

Table with columns: VAR, COD, PART-NO., TITLE, PART-NO., PART-REV, DATE, AMOUNT, MATERIAL, SIMILAR TO BAL, NOTES, DATE, STATUS, ZONE, REVISION HISTORY, AUTH, DR, APVD 1, APVD 2

Table with columns: VAR, COD, PART-NO., TITLE, PART-NO., PART-REV, DATE, AMOUNT, MATERIAL, SIMILAR TO BAL, NOTES, DATE, STATUS, ZONE, REVISION HISTORY, AUTH, DR, APVD 1, APVD 2

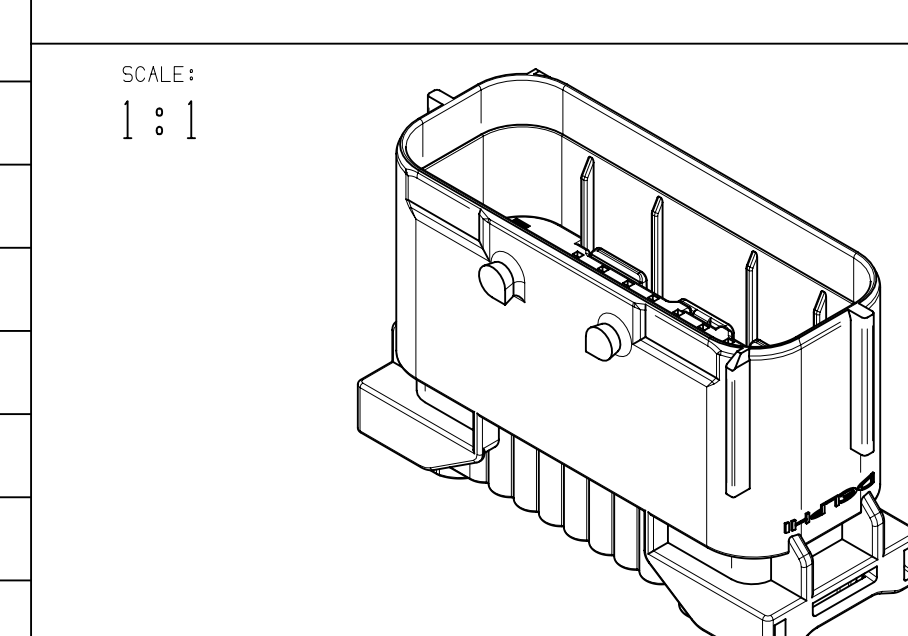
Table with columns: VAR, COD, PART-NO., TITLE, PART-NO., PART-REV, DATE, AMOUNT, MATERIAL, SIMILAR TO BAL, NOTES, DATE, STATUS, ZONE, REVISION HISTORY, AUTH, DR, APVD 1, APVD 2

Table with columns: VAR, COD, PART-NO., TITLE, PART-NO., PART-REV, DATE, AMOUNT, MATERIAL, SIMILAR TO BAL, NOTES, DATE, STATUS, ZONE, REVISION HISTORY, AUTH, DR, APVD 1, APVD 2

Table with columns: VAR, COD, PART-NO., TITLE, PART-NO., PART-REV, DATE, AMOUNT, MATERIAL, SIMILAR TO BAL, NOTES, DATE, STATUS, ZONE, REVISION HISTORY, AUTH, DR, APVD 1, APVD 2

Table with columns: VAR, COD, PART-NO., TITLE, PART-NO., PART-REV, DATE, AMOUNT, MATERIAL, SIMILAR TO BAL, NOTES, DATE, STATUS, ZONE, REVISION HISTORY, AUTH, DR, APVD 1, APVD 2

NOTES 1. FOR APPLICATION DATA SEE THE INDIVIDUAL APPLICATION DRAWINGS.



APTIV CONNECTION SYSTEMS KRAKOW, POLAND. THIS DRAWING IS THE PROPERTY OF APTIV... DRAWING NUMBER: 15513439