

4

3

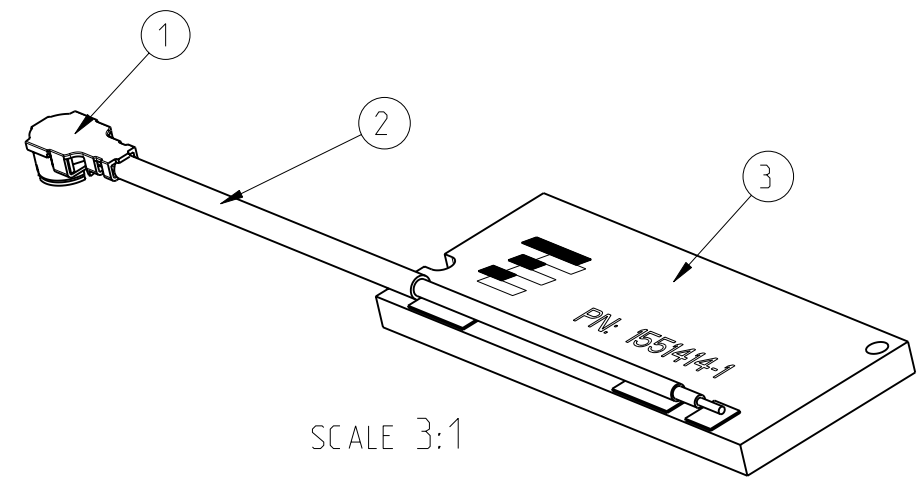
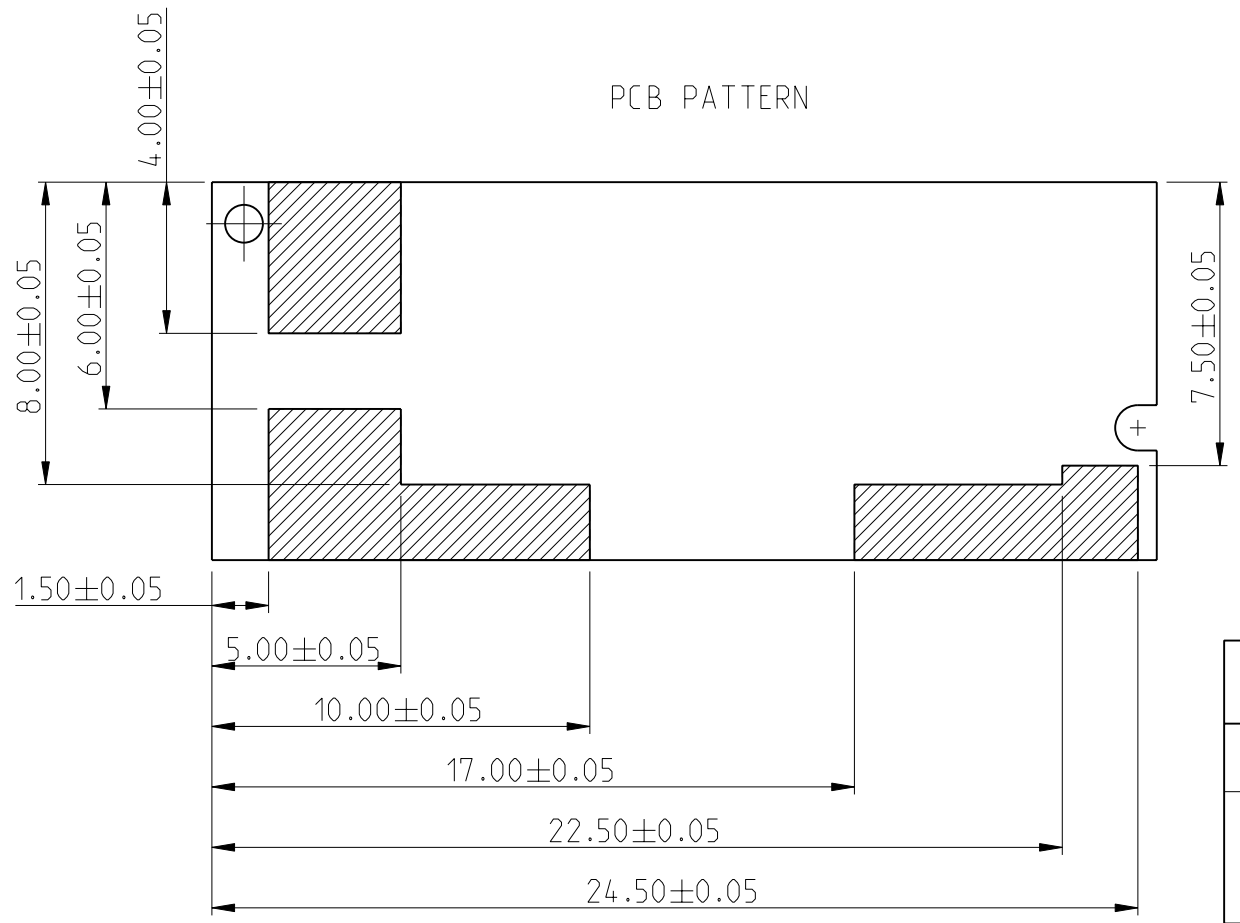
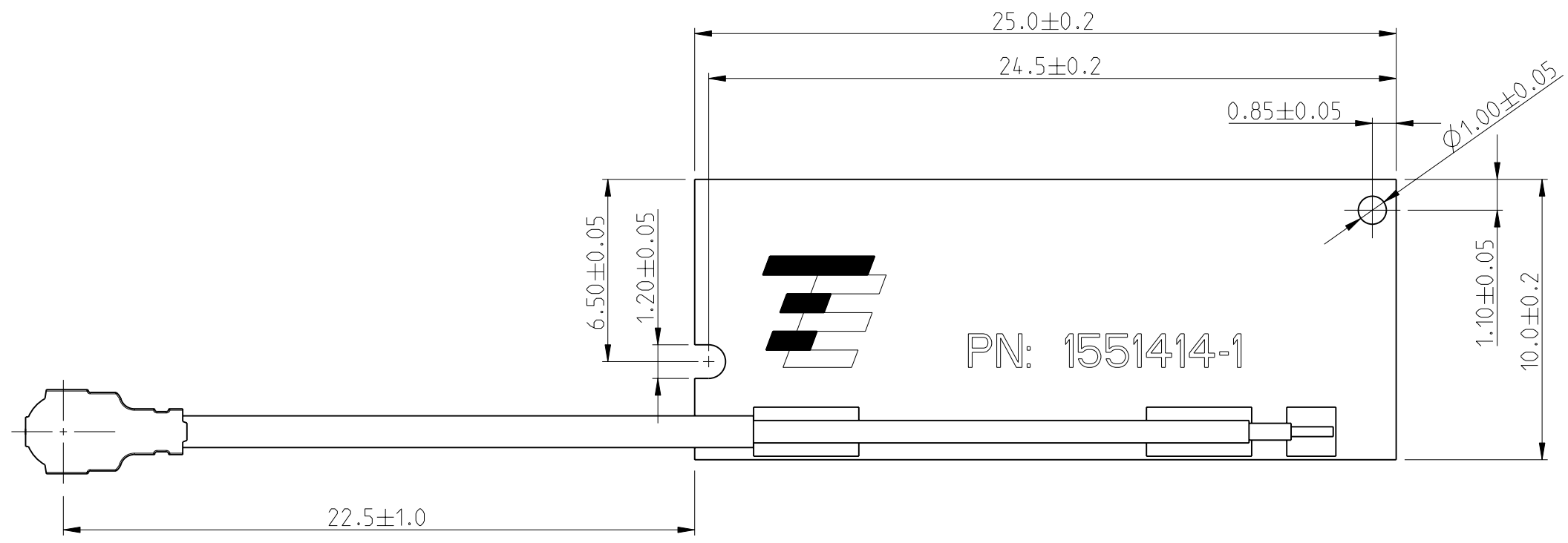
2

1

THIS DRAWING IS UNPUBLISHED. RELEASED FOR PUBLICATION 2009
 © COPYRIGHT 2009 ALL RIGHTS RESERVED.

| LOC | DIST | REVISIONS | | | | |
|-----|------|-------------|-------------------------|-----------|------|----|
| P | LTR | DESCRIPTION | DATE | DWN | APVD | |
| H | - | A | RELEASED FOR PRODUCTION | 19AUG2011 | SM | RL |

NOTE:
 1. PCB MATERIAL: GETEK, THICKNESS: 1.6±0.2mm



TE PN: 1551414-1 AS SHOWN
 B&O PN: 6143838

| ITEM NO. | DESCRIPTION | QTY |
|----------|---|-----|
| 3 | PRINTED CIRCUIT BOARD | 1 |
| 2 | COAX CABLE; COLOUR= BLACK; OD.=1.13mm; L=22.5mm | 1 |
| 1 | ULTRA MINIATURE COAX CONNECTOR | 1 |

| | | | | |
|--|--|-------------------------|-----------------------|---------------------|
| THIS DRAWING IS A CONTROLLED DOCUMENT. | | DWN SUBHASH.M 02DEC2009 | TE Connectivity | |
| DIMENSIONS: mm | | CHK R.LOKKER 02DEC2009 | | |
| TOLERANCES UNLESS OTHERWISE SPECIFIED: | | APVD R.LOKKER 02DEC2009 | NAME ANTENNA ASSEMBLY | |
| 0 PLC ±- | | PRODUCT SPEC - | SIZE A3 | |
| 1 PLC ±- | | APPLICATION SPEC - | CAGE CODE 00779 | DRAWING NO. 1551414 |
| 2 PLC ±- | | WEIGHT - | RESTRICTED TO - | |
| 3 PLC ±- | | CUSTOMER DRAWING | SCALE 5:1 | SHEET 1 OF 1 |
| 4 PLC ±- | | | | REV A |
| ANGLES ±1° | | | | |
| FINISH - | | | | |