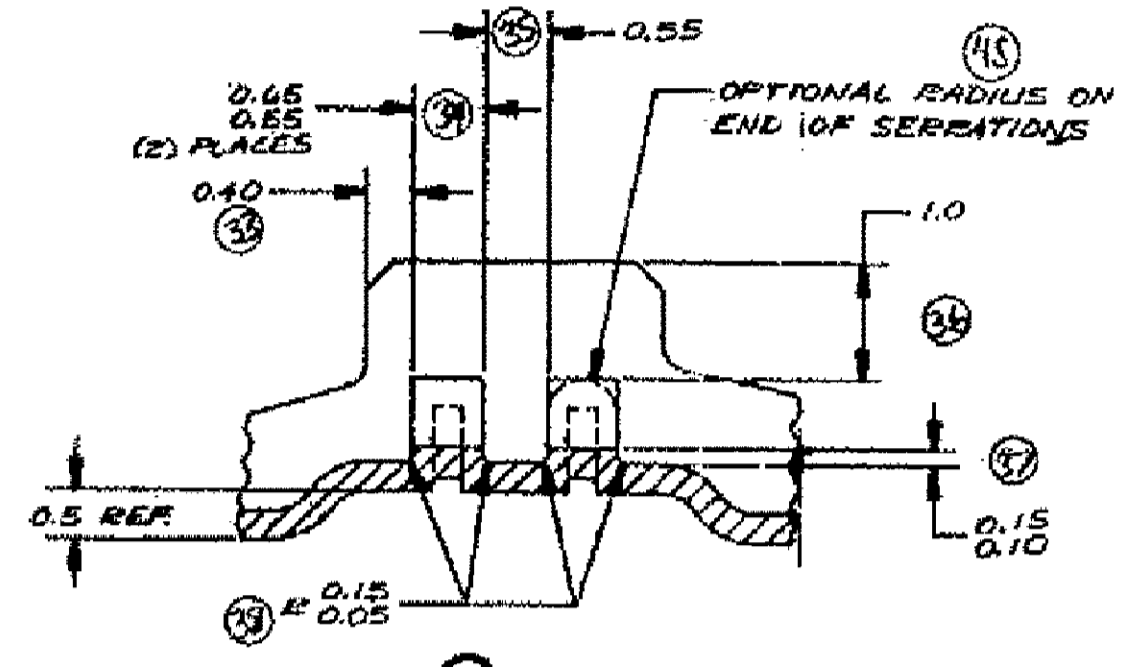
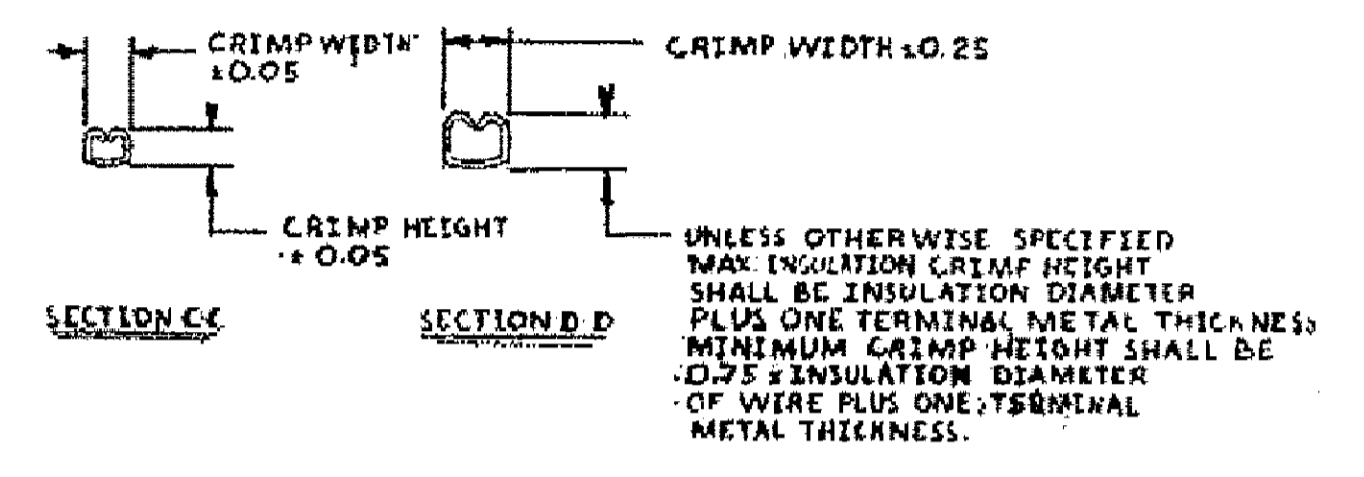
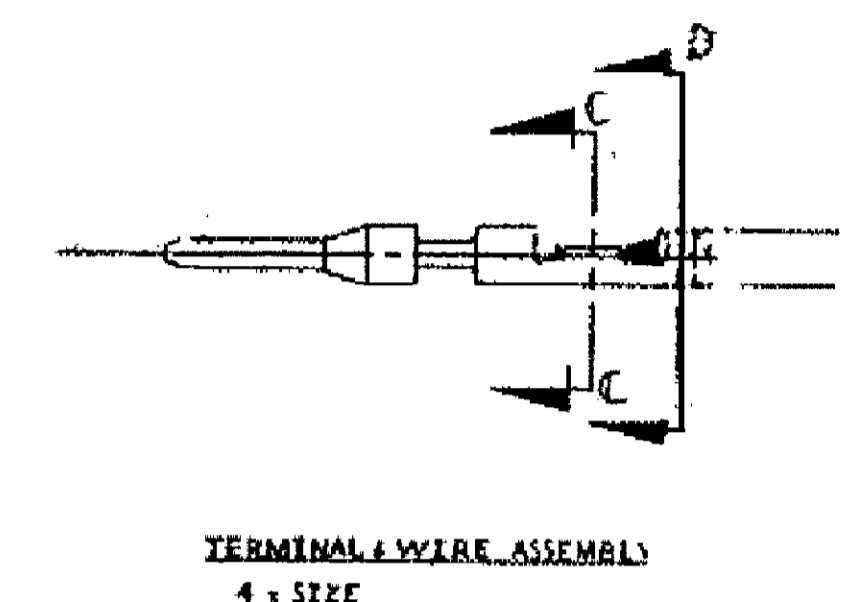
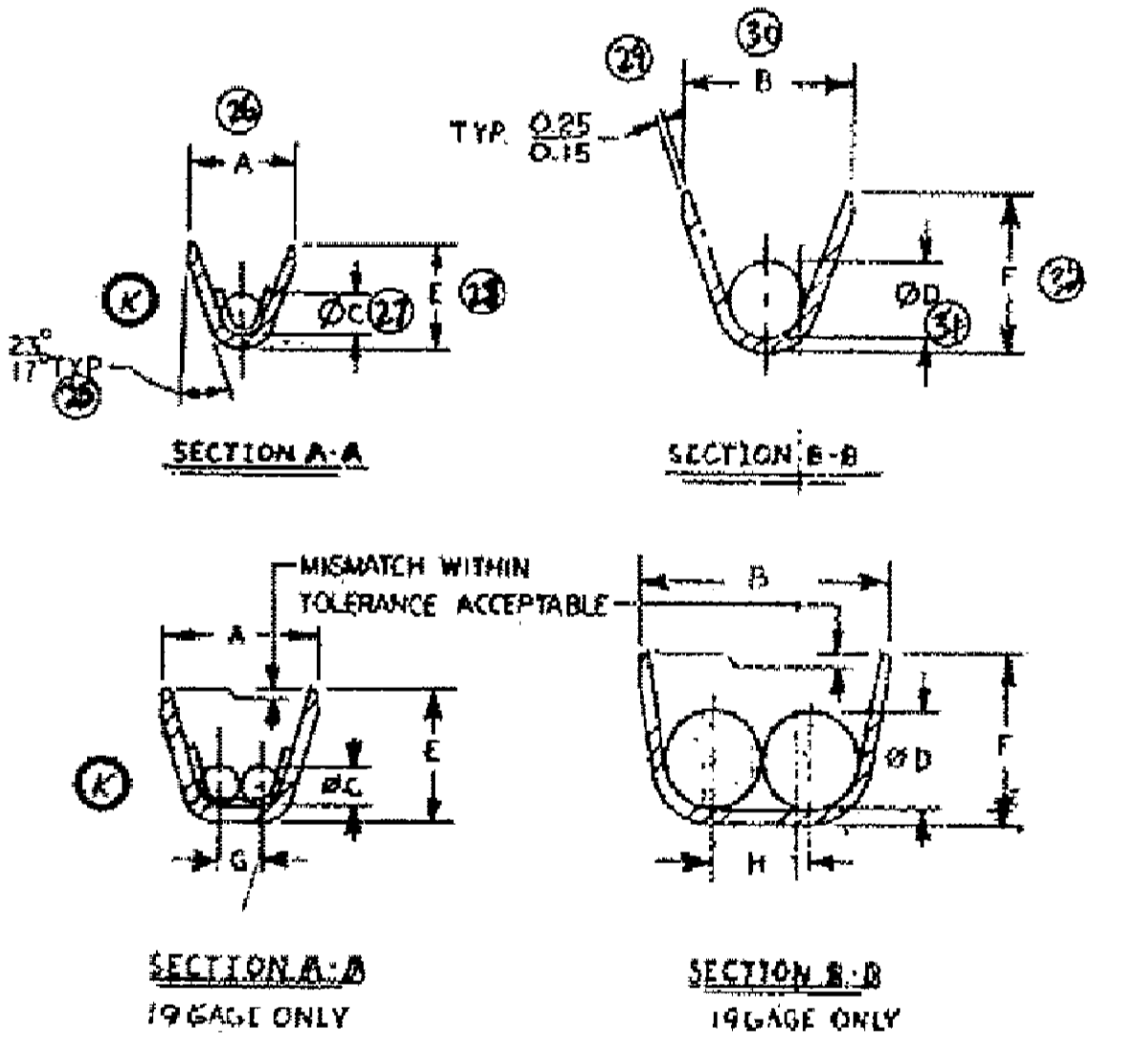
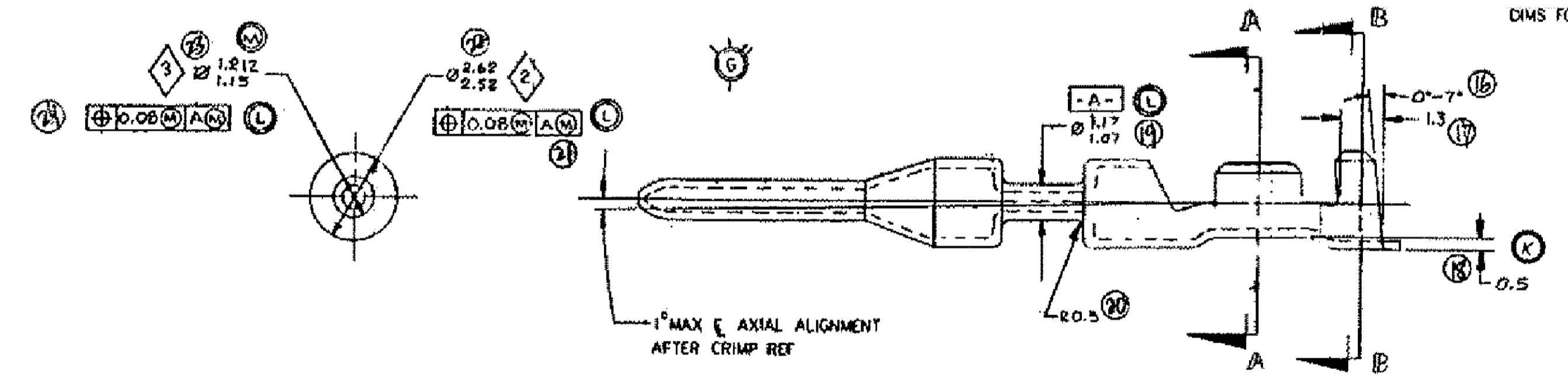
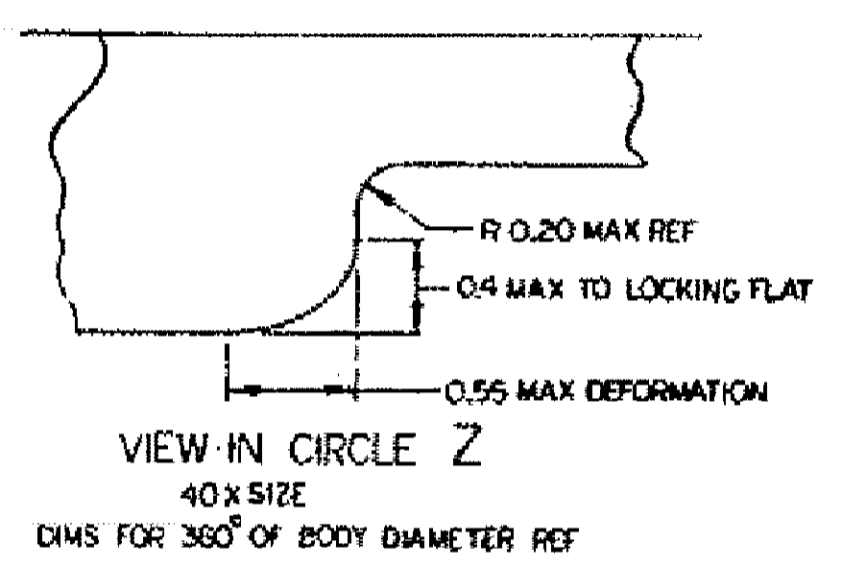
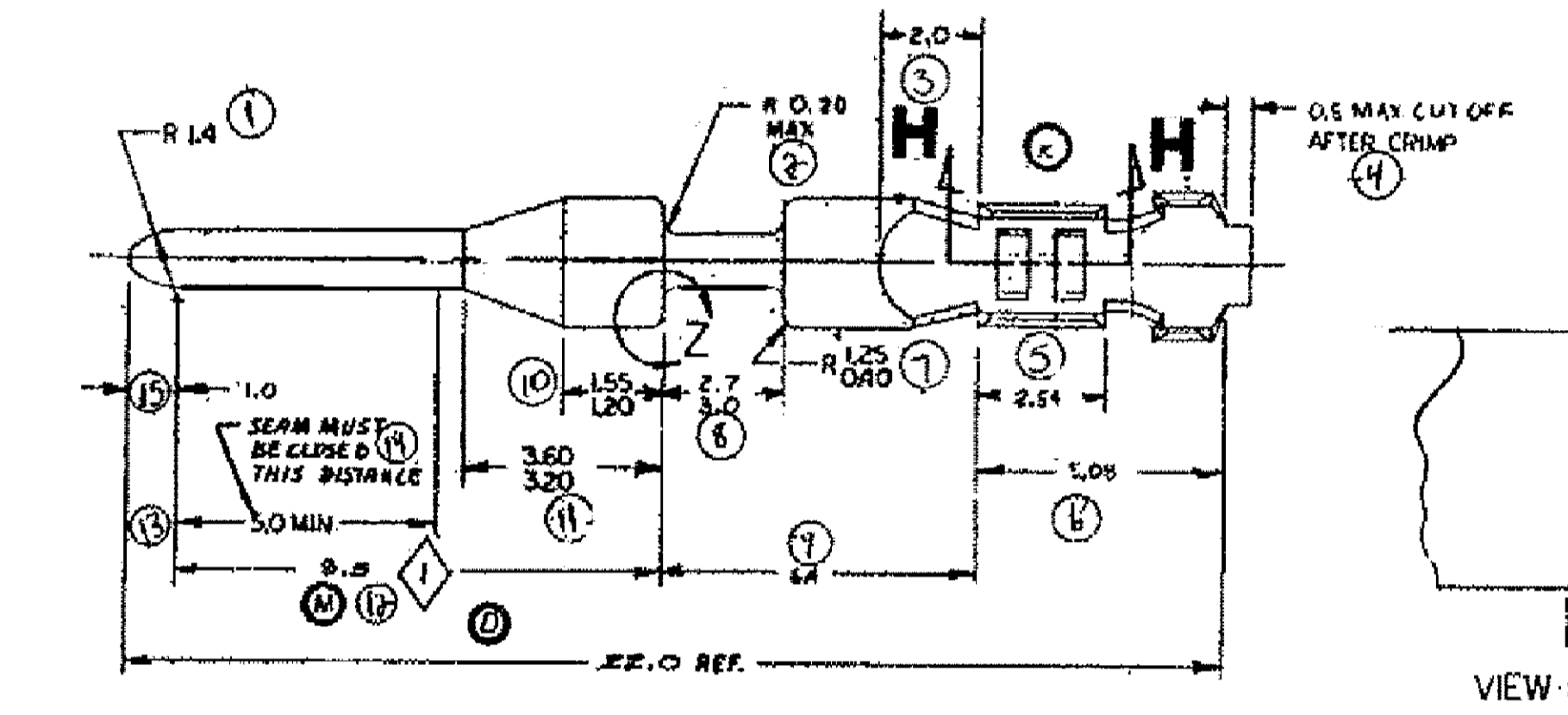


DATE	STG	REV	N/P	CHG	ZONE	REVISION HISTORY	AUTH	DR	APVD	APV2
08JUL13	R	01	-	-	-	ALL PARTS - RELEASED TOOL QUALIFICATION DRAWING	423197	CGD	JAA	JAA
05AUG13	R	02	-	-	-	33110320 - RELEASED	423477	CGD	JAA	JAA



REFERENCE			
INSULATION CRIMP CHART			
WIRE SIZE	CRIMP WIDTH PER THICKNESS	INSULATION THICKNESS	CRIMP HEIGHT
22	0.80-0.45	0.45-0.85	0.86-1.25
19	-	-	-
18/20	2.80	2.80	3.20
16	-	-	-
14	-	-	-

REFERENCE			
CONDUCTOR CRIMP CHART			
WIRE SIZE	CRIMP WIDTH	CRIMP HEIGHT	CRIMP DEPTH
22	1.45	1.10	-
20	2.05	1.15	-
19	-	-	-
18	2.05	1.25	-
16	2.45	1.40	-
14	2.45	1.60	-



NOTE:
 ITEM ① AND ITEM ② ARE INTERCHANGEABLE
 NF-1804-43 IS INTERCHANGEABLE WITH NF-1804-29
 VENDOR TRADEMARK AND CRIP CODE MUST APPEAR ON PART, OPTIONAL DATE CODE IS ACCEPTABLE.
 WIRE FABRICATORS MUST PURCHASE FROM VENDORS SHOWING
 MATERIAL THICKNESS 0.25 ±0.01
 UNLESS OTHERWISE SPECIFIED TOLERANCES ON:
 1 PLACE DIMENSIONS ±0.3
 2 PLACE DIMENSIONS ±0.10
 PACKAGING:
 PANCAKE REELS WITH PAPER INTERLEAF
 QUALITY ASSURANCE REQUIREMENTS PER ITEM 013 Q
 Ⓜ DENOTES OPTIONAL SPOT SOLDER PERMISSIBLE ON CONDUCTOR CRIMP

DO NOT SCALE PRINT		N 4400110																																	
APCS00012185		ALLOW 102 OR TIM WAS MS152A																																	
<table border="1"> <tr> <th>REV</th> <th>DATE</th> <th>BY</th> <th>CHKD</th> <th>DESCRIPTION</th> </tr> <tr> <td>1</td> <td>08/13/13</td> <td>JAA</td> <td>JAA</td> <td>INITIAL RELEASE</td> </tr> <tr> <td>2</td> <td>08/13/13</td> <td>JAA</td> <td>JAA</td> <td>33110320 - RELEASED</td> </tr> </table>				REV	DATE	BY	CHKD	DESCRIPTION	1	08/13/13	JAA	JAA	INITIAL RELEASE	2	08/13/13	JAA	JAA	33110320 - RELEASED																	
REV	DATE	BY	CHKD	DESCRIPTION																															
1	08/13/13	JAA	JAA	INITIAL RELEASE																															
2	08/13/13	JAA	JAA	33110320 - RELEASED																															
<table border="1"> <tr> <th>SYMBOL</th> <th>DESCRIPTION</th> <th>SYMBOL</th> <th>DESCRIPTION</th> </tr> <tr> <td>①</td> <td>CONDUCTOR</td> <td>②</td> <td>INSULATION</td> </tr> <tr> <td>③</td> <td>SEAM</td> <td>④</td> <td>LOCKING FLAT</td> </tr> <tr> <td>⑤</td> <td>CRIMP</td> <td>⑥</td> <td>CRIMP DEPTH</td> </tr> <tr> <td>⑦</td> <td>CRIMP WIDTH</td> <td>⑧</td> <td>CRIMP HEIGHT</td> </tr> <tr> <td>⑨</td> <td>CRIMP DEPTH</td> <td>⑩</td> <td>CRIMP DEPTH</td> </tr> </table>		SYMBOL	DESCRIPTION	SYMBOL	DESCRIPTION	①	CONDUCTOR	②	INSULATION	③	SEAM	④	LOCKING FLAT	⑤	CRIMP	⑥	CRIMP DEPTH	⑦	CRIMP WIDTH	⑧	CRIMP HEIGHT	⑨	CRIMP DEPTH	⑩	CRIMP DEPTH	<table border="1"> <tr> <th>THIRD ANGLE PROJECTION</th> <th>TOLERANCES UNLESS OTHERWISE SPECIFIED</th> </tr> <tr> <td>1</td> <td>ANGULAR</td> </tr> <tr> <td>2</td> <td>LINEAR</td> </tr> <tr> <td>3</td> <td>OTHERWISE SPECIFIED</td> </tr> </table>		THIRD ANGLE PROJECTION	TOLERANCES UNLESS OTHERWISE SPECIFIED	1	ANGULAR	2	LINEAR	3	OTHERWISE SPECIFIED
SYMBOL	DESCRIPTION	SYMBOL	DESCRIPTION																																
①	CONDUCTOR	②	INSULATION																																
③	SEAM	④	LOCKING FLAT																																
⑤	CRIMP	⑥	CRIMP DEPTH																																
⑦	CRIMP WIDTH	⑧	CRIMP HEIGHT																																
⑨	CRIMP DEPTH	⑩	CRIMP DEPTH																																
THIRD ANGLE PROJECTION	TOLERANCES UNLESS OTHERWISE SPECIFIED																																		
1	ANGULAR																																		
2	LINEAR																																		
3	OTHERWISE SPECIFIED																																		
<table border="1"> <tr> <th>ITEM</th> <th>DESCRIPTION</th> <th>QTY</th> <th>UNIT</th> </tr> <tr> <td>1</td> <td>COPPER ALLOY MSB70 C14300 H08</td> <td></td> <td></td> </tr> <tr> <td>2</td> <td>TIN PLATED PER PS 39</td> <td></td> <td></td> </tr> <tr> <td>3</td> <td>PS 752</td> <td></td> <td></td> </tr> <tr> <td>4</td> <td>PS 750</td> <td></td> <td></td> </tr> <tr> <td>5</td> <td>MSB70 C14300 H0844</td> <td></td> <td></td> </tr> </table>		ITEM	DESCRIPTION	QTY	UNIT	1	COPPER ALLOY MSB70 C14300 H08			2	TIN PLATED PER PS 39			3	PS 752			4	PS 750			5	MSB70 C14300 H0844			<table border="1"> <tr> <td>TERMPARTTYPE</td> <td>DIE #380</td> </tr> <tr> <td>240 SCALE (INSULATOR CAVITY SHOWN)</td> <td>4400110</td> </tr> </table>		TERMPARTTYPE	DIE #380	240 SCALE (INSULATOR CAVITY SHOWN)	4400110				
ITEM	DESCRIPTION	QTY	UNIT																																
1	COPPER ALLOY MSB70 C14300 H08																																		
2	TIN PLATED PER PS 39																																		
3	PS 752																																		
4	PS 750																																		
5	MSB70 C14300 H0844																																		
TERMPARTTYPE	DIE #380																																		
240 SCALE (INSULATOR CAVITY SHOWN)	4400110																																		

WIRE SIZE	CRIMP WIDTH	CRIMP HEIGHT	CRIMP DEPTH
22	1.45	1.10	-
20	2.05	1.15	-
19	-	-	-
18	2.05	1.25	-
16	2.45	1.40	-
14	2.45	1.60	-

NOTES
 1. UNLESS OTHERWISE SPECIFIED AND/OR INDICATED:
 DIMENSIONS ARE TO FACE OF VIEW SHOWN AND AUTOMATICALLY ROUNDED BY COMPUTER FOR INSPECTION (SEE MATH MODEL FOR PRECISE DIMENSIONS). FOR ALL OTHER DIMENSIONS NOT SHOWN BUT REQUIRED FOR TOOL BUILD, SEE MATH MODEL FOR PRECISE TOOL PATH DATA.
 2. DIFFERENCE BETWEEN BOTH WINGS TO BE 0.3 MAX.

PART NUMBER	REV	PART NUMBER	REV	N/P	REWIND PART NUMBER	REV	N/P	MAT'L SPEC
NFT-1404-43	N	33110320	01	-	-	-	-	M6554K74
NF-1804-29RWA	N	-	-	-	33503463	01	-	15518466
NF-1804-29	N	15518466	01	-	-	-	-	M6554K74
NFT-1404-29	N	15518467	01	-	-	-	-	M6554K74
NF-2204-29	N	15518318	01	-	-	-	-	M6554K74

TOLERANCE UNLESS OTHERWISE SPECIFIED:
 DECIMAL: ANGULAR ±2°
 TWO PLACE SEE DRAWING
 THREE PLACE SEE DRAWING

THIRD ANGLE PROJECTION
 DO NOT SCALE
 USE MATH DATA

DELPHI
 DELPHI PACKARD ELECTRICAL/ELECTRONIC ARCHITECTURE
 WARREN, OH
 COPYRIGHT 2013 DELPHI CORPORATION AND/OR ITS AFFILIATES. ALL RIGHTS RESERVED.
 THIS DRAWING IS THE PROPERTY OF DELPHI CORPORATION AND CONTAINS DELPHI CONFIDENTIAL INFORMATION. THE REPRODUCTION, DISTRIBUTION AND UTILIZATION OF THIS DOCUMENT OF ITS RELATED AND MATH DATA, AS WELL AS COMMUNICATION OF ANY CONTENT TO OTHERS, WITHOUT EXPRESS AUTHORIZATION, IS PROHIBITED.

DR	DATE
APV01 CARLOS DELGADILLO	08JUL13
APV02 J. S. ALVARADO	08JUL13
APV03 RAFAEL LOPEZ	08JUL13
APV04	

SUBSTANCES OF CONCERN AND RECYCLED CONTENT PER DELPHI 1094900

DRAWING NUMBER
15521596

DRAWING TITLE
TERM MIXED UNKN

SIZE	SCALE	FRAME NO	SHEET NO	STG	REV	N/P
A0	NONE	1	1	1	R	02