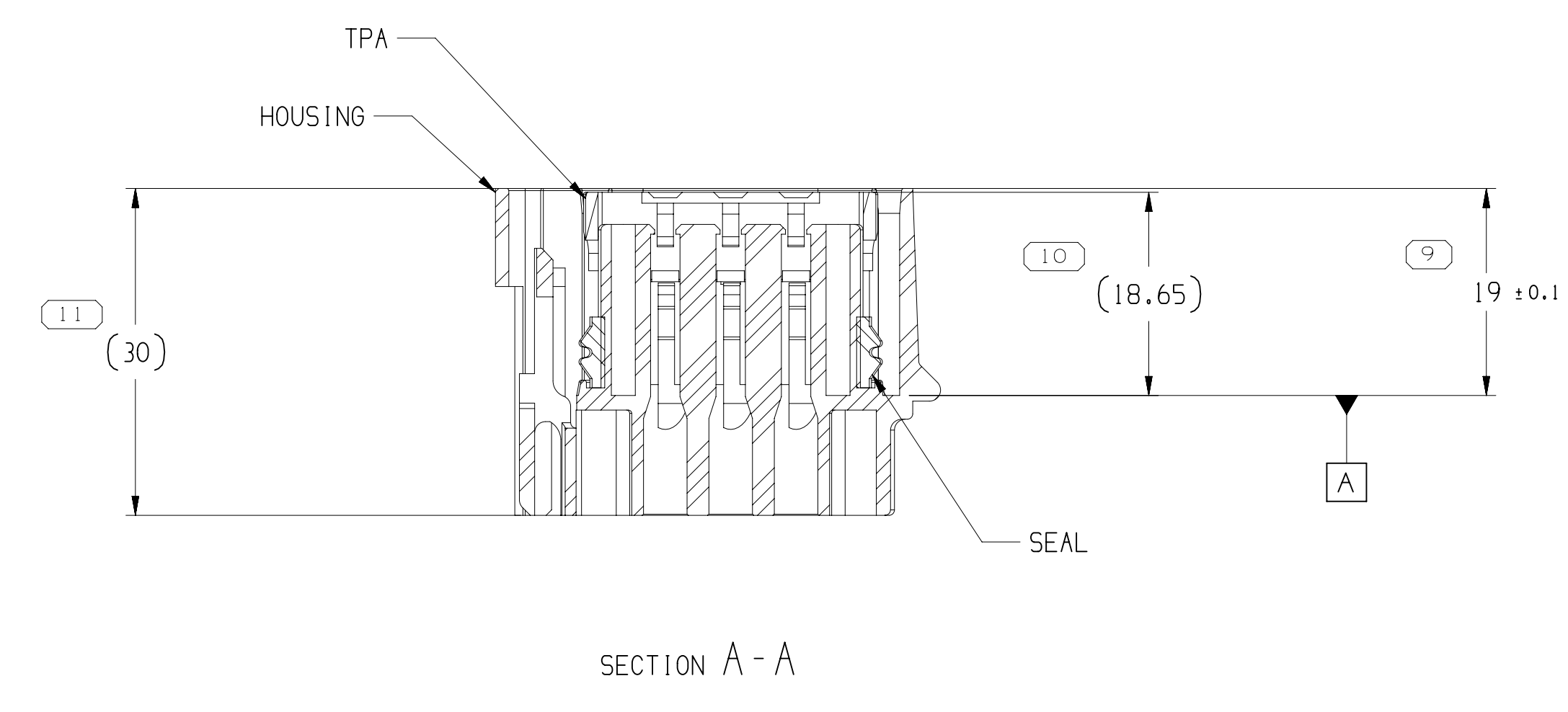
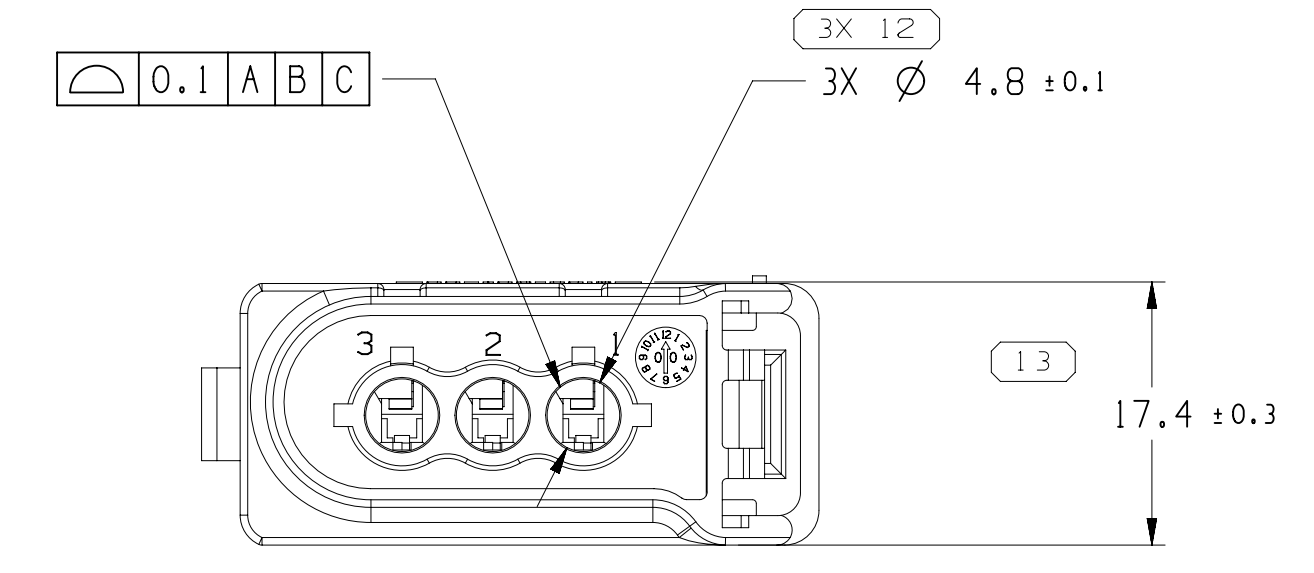
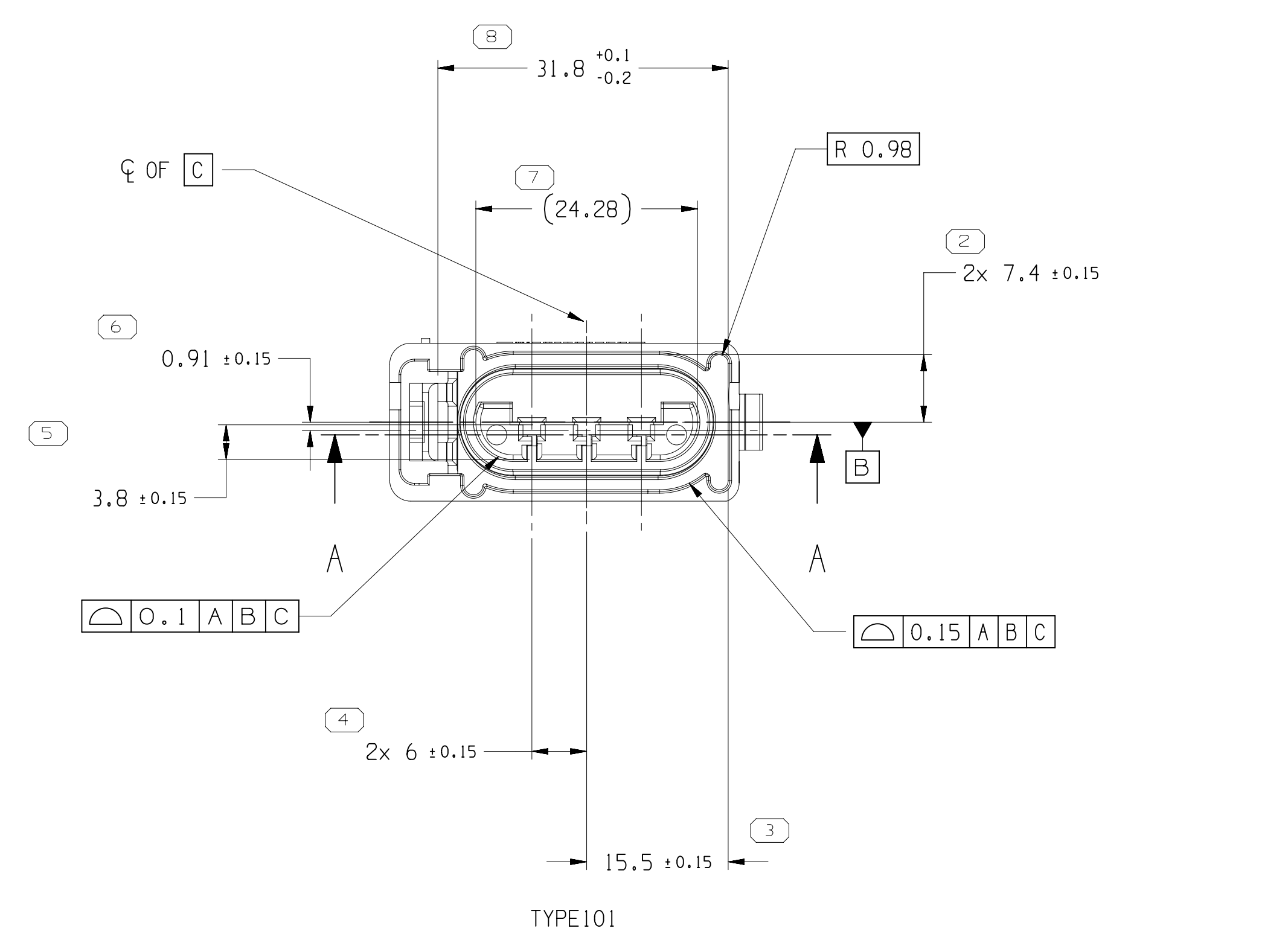
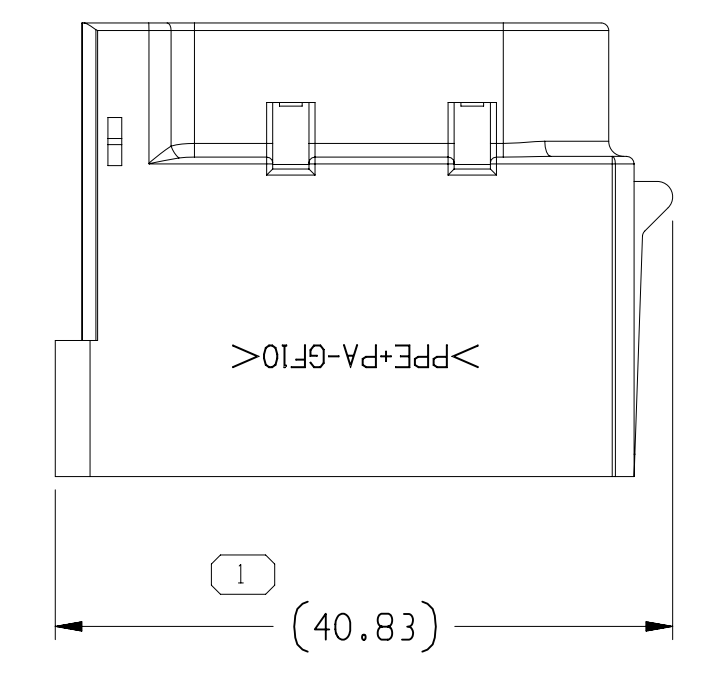
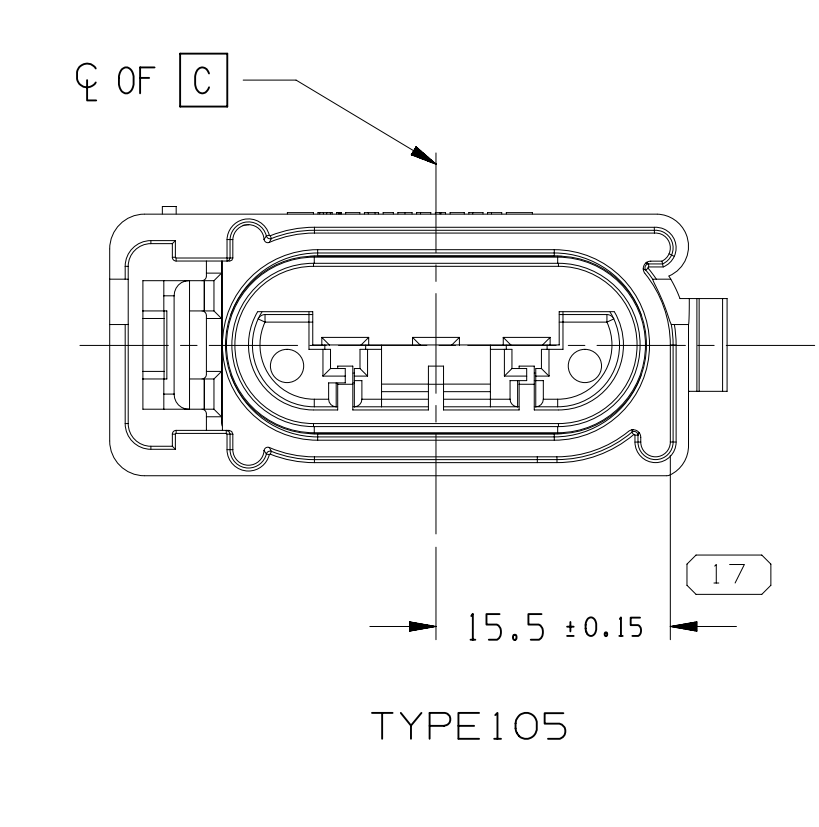
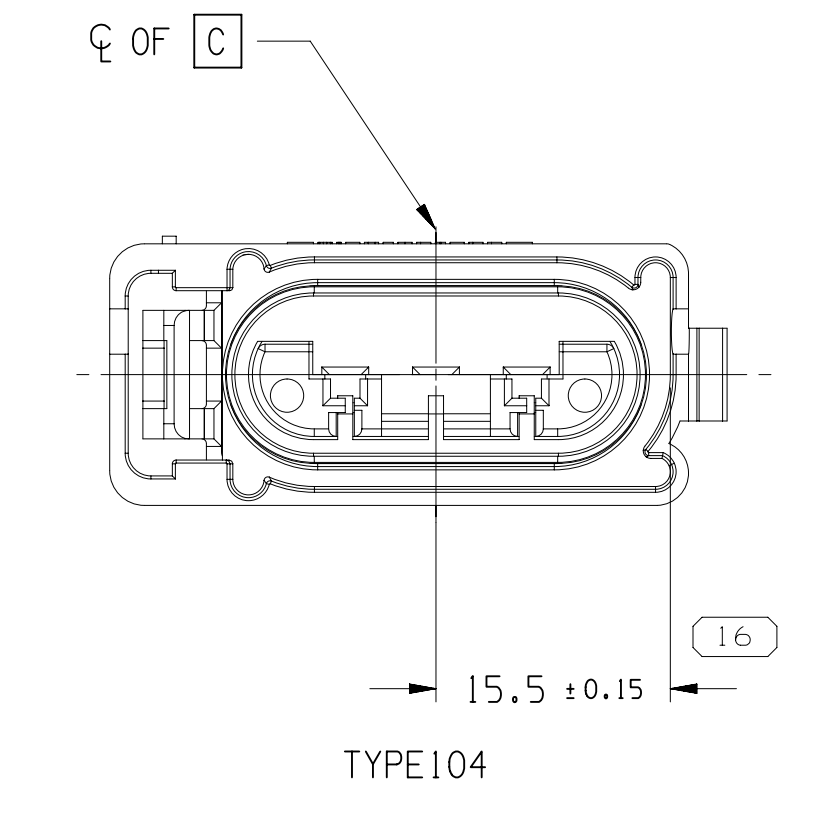
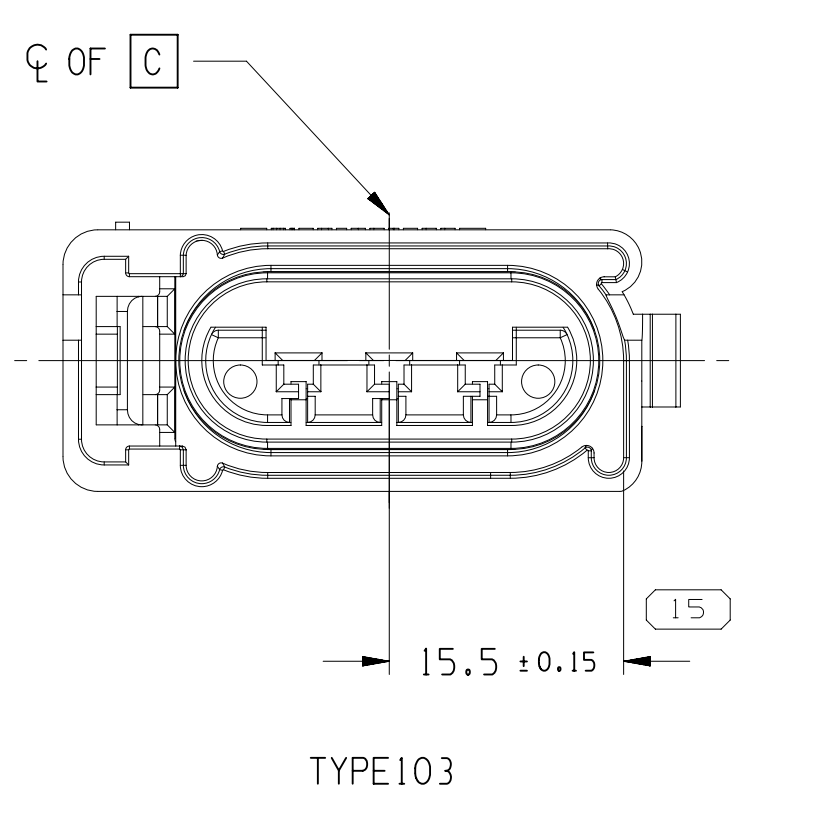
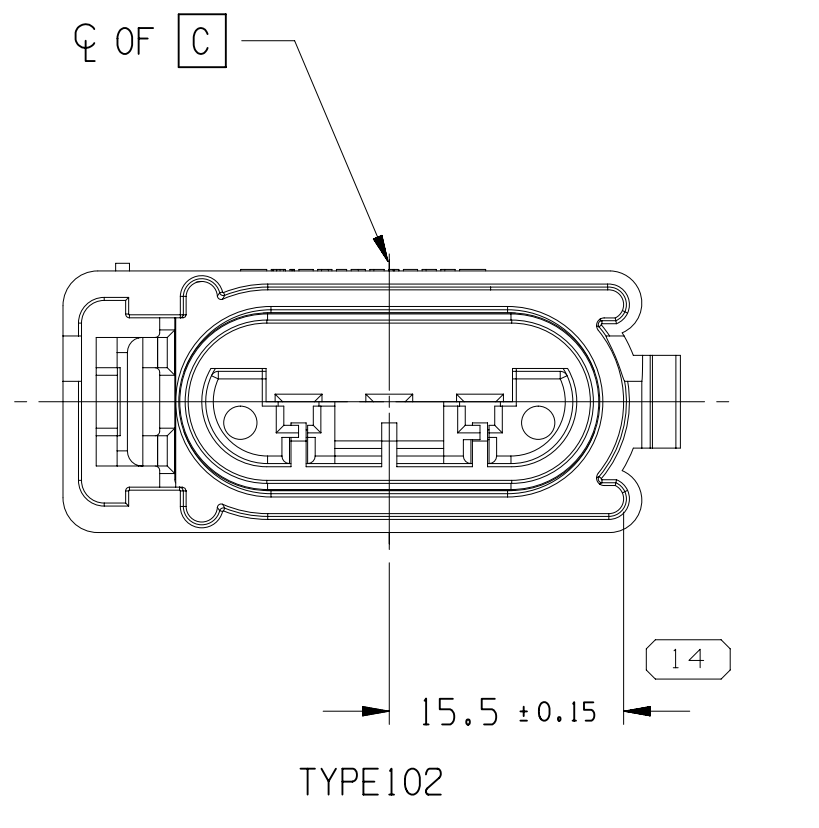


SYMBOL DEFINITION		TOTAL NO OF INSPECTIONS REQUIRED	19
A DIMENSION WITHOUT AN INSPECTION REPORT SYMBOL DOES NOT REQUIRE INSPECTION. IT MAY BE CONTROLLED ON THE INDIVIDUAL COMPONENT DRAWING.		LAST NO. USED	17

MISSING SYMBOLS				NO MISSING SYMBOL NUMBER						
DATE	STG	REV	N/P	CHG	ZONE	REVISION HISTORY	AUTH	DR	APVD	APVD
03AP07	R	01	-	-	-	RELEASED	400744	KOS	OY	EZ
07MY08	R	01	AA	-	-	ADD DIM 14,15,16 AND RELAX TOLERANCE	404615	SBH	JWG	EZ
07MY08	R	01	AB	-	-	PN 12628677 WAS 13628677	404617	SBH	JWG	EZ
05.L11	R	01	AC	-	-	PROCESS DIM WAS #10	414746	SBH	JWG	EZ
13.J11	R	01	AD	-	-	PARTS REV WAS 03	414820	SBH	JWG	EZ
27MA12	R	02	-	-	-	ADD DATE CODE	416622	CJ	HSB	E.Z
26OC12	R	02	AA	-	-	UPDATE DRAWING	420198	JC	SBH	EZH
30AU13	R	03	-	-	-	ADD NEW PART	423581	SZ	HSB	EZH
18MA19	R	03	AA	-	-	ADD NEW PART: 35219314, 35219315, 35219316, 35219317	442738	HZ	SBH	SBH



- NOTES
- UNLESS OTHERWISE SPECIFIED AND/OR INDICATED: DIMENSIONS ARE TO FACE OF VIEW SHOWN AND AUTOMATICALLY ROUNDED BY COMPUTER FOR INSPECTION (SEE MATH MODEL FOR PRECISE DIMENSIONS). FOR ALL OTHER DIMENSIONS NOT SHOWN BUT REQUIRED FOR TOOL BUILD, SEE MATH MODEL FOR PRECISE TOOL PATH DATA.
 - MATERIAL RECYCLING CODE PER ISO 11469 (1,0)X(10,1) CHARACTERS AS SHOWN TO BE LOCATED ON ANY EXTERIOR SURFACE.
 - THIS PRODUCT IS NOT CATEGORIZED AS AN APPEARANCE ITEM, MINOR IMPERFECTIONS INCLUDING, BUT NOT LIMITED TO, FLOW MARKS, COLOR BLEMISHES, GATE VESTIGE, AND SOFT FLASH THAT DO NOT AFFECT THE FIT, FORM, OR FUNCTION OF THE PART ARE PERMISSIBLE PER NAP 4.10-1B.
 - FOR APPLICATION DATA SEE THE INDIVIDUAL APPLICATION DRAWINGS.

PART NO	STG	REV	N/P	STATUS	TYPE	HOUSING	TPA	SEAL
35219317	R	01	-	A	104	13628676	35219313	13628681
35219316	R	01	-	A	103	13628675	35219313	13628681
35219315	R	01	-	A	102	13628674	35219313	13628681
35219314	R	01	-	A	101	13628673	35219313	13628681
15538217	R	01	-	A	105	15536968	13628680	13628681
13628679	R	05	-	A	104	13628676	13628680	13628681
13628678	R	05	-	A	103	13628675	13628680	13628681
13628677	R	05	-	A	102	13628674	13628680	13628681
13628672	R	05	-	A	101	13628673	13628680	13628681

DIMENSIONAL RANGE (MM)	TOLERANCE	CHART	IP				
FROM > 0	> 30	> 70	> 120	> 160	> 200	> 250	> 315
TO	30	70	120	160	200	250	315
TOLERANCE UNLESS OTHERWISE SPECIFIED							
±0.1 ±0.3 ±0.4 ±0.45 ±0.5 ±0.7 ±0.85 ±1.05							
ANGULAR TOLERANCE: ±1°							

THIS DOCUMENT IS IN ACCORDANCE WITH ASME Y14.5M-1994 AS MODIFIED BY THE 2003 GLOBAL DIMENSIONING AND TOLERANCING ADDENDUM-2003. SEPARATE PATTERNING OF FEATURES MAY BE ORDERED SEPARATELY REGARDLESS OF DATUM REFERENCES.

ALL DIMENSIONS ARE IN MILLIMETERS

UNLESS OTHERWISE SPECIFIED

THIRD ANGLE PROJECTION

DO NOT SCALE USE MATH DATA

NX

DELPHI
 DELPHI PACKARD ELECTRICAL/ELECTRONIC ARCHITECTURE

DELPHI CORPORATION AND/OR ITS AFFILIATES, ALL RIGHTS RESERVED.
 COPYRIGHT 2012 DELPHI CORPORATION AND/OR ITS AFFILIATES, ALL RIGHTS RESERVED.

THIS DRAWING IS THE PROPERTY OF DELPHI CORPORATION AND CONTAINS DELPHI CONFIDENTIAL INFORMATION. THE REPRODUCTION, DISTRIBUTION AND UTILIZATION OF THIS DOCUMENT OR ITS RELATED CAD DATA, AS WELL AS COMMUNICATION OF ANY CONTENT TO OTHERS, WITHOUT EXPRESS AUTHORIZATION, IS PROHIBITED.

DATE: 27MA12
 DR: CUI JUN
 APVD: HUANG SUJBN
 APVD3: ERIC.ZHOU
 APVD4:
 APVD5:
 SUBSTANCES OF CONCERN AND RECYCLED CONTENT PER AP1V (094900)

MATERIAL: SEC CHART

DRAWING NAME: TAXI ASM CONN F 1.5 SLD

DRAWING NUMBER: 13633079

SIZE: A0
 SCALE: 2:1
 FRAME NO: 1
 SHEET NO: 1 OF 1
 STG: R
 REV: 03
 N/P: AA

13633079.DWG: 18-May-19 16:47:54
 User: jzhu6
 Plot: 13633079.DWG: 18-May-19 16:47:54