

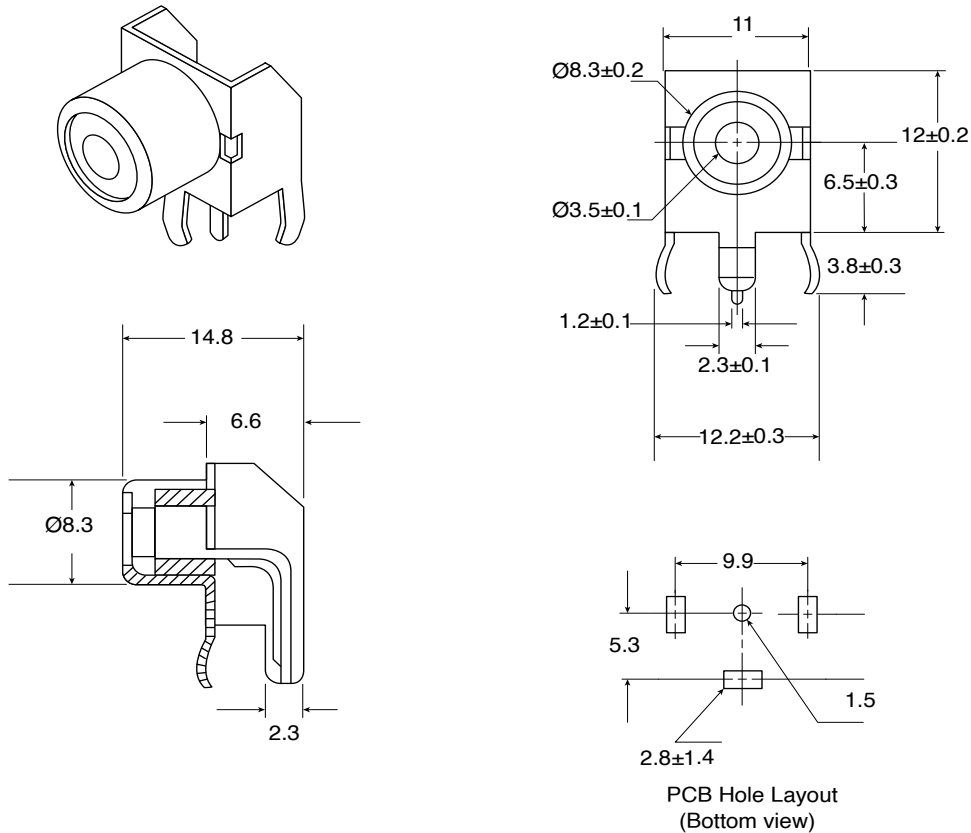


Right Angle RCA PCB Mount Phono Jacks

156-0340-E, 156-0350-E, 156-0360-E,
156-0370-E, 156-0380-E, 156-0390-E

Date Last Revised: 09/06/21

DIMENSIONS: mm



SPECIFICATIONS	
Type:	Right Angle, PCB Mount, Phono
Insulation Resistance:	10M Ω min. @ 500V RMS
Withstand Voltage:	1080VAC for 1 Minute
Humidity Test:	90% RH @ 40°C for 48 Hours
Temperature Rating:	70°C
Body:	Tin Plated Brass
Contact:	Tin Plated Brass
Insulator:	PBT
Withstand Heat:	250°C, 3 sec.
RoHS Compliant	

MOUSER STOCK NO.	Color
156-0340-E	Blue
156-0350-E	Green
156-0360-E	White
156-0370-E	Red
156-0380-E	Yellow
156-0390-E	Black

Available from Mouser Electronics
1-800-346-6873 / www.mouser.com

KC-301517

Specifications are subject to change without notice. No liability or warranty implied by this information. Environmental compliance based on producer documentation.