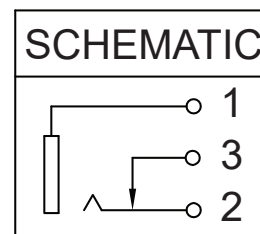
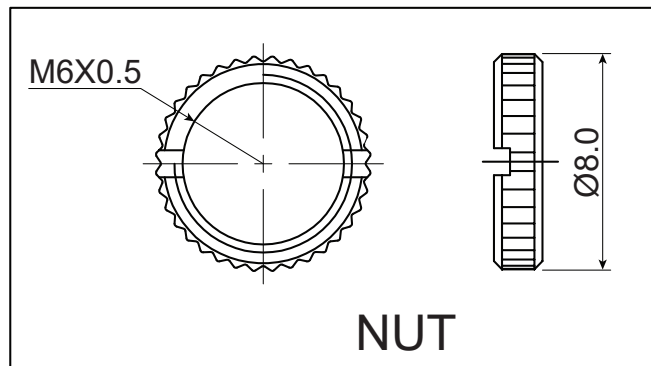
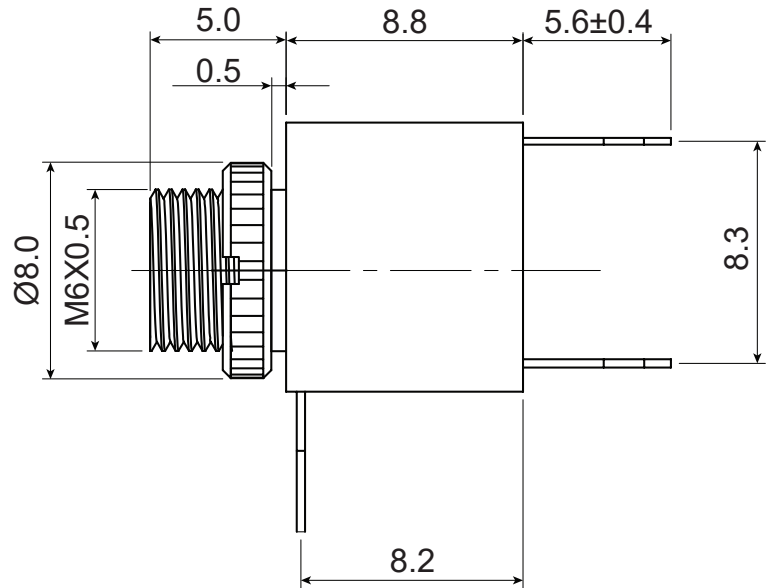
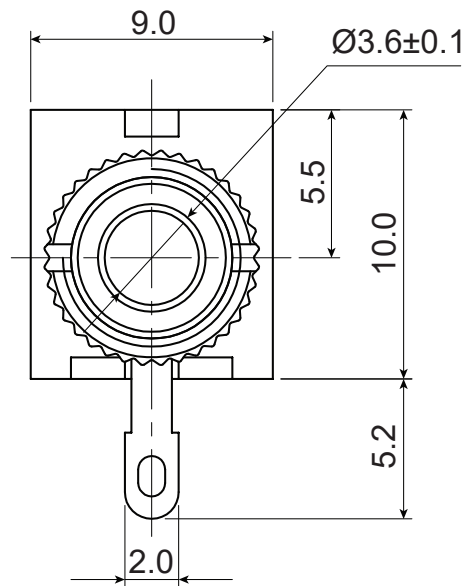


DIMENSIONS: mm



Specifications:

- Rating: 1A/12VDC

Note: RoHS Compliant