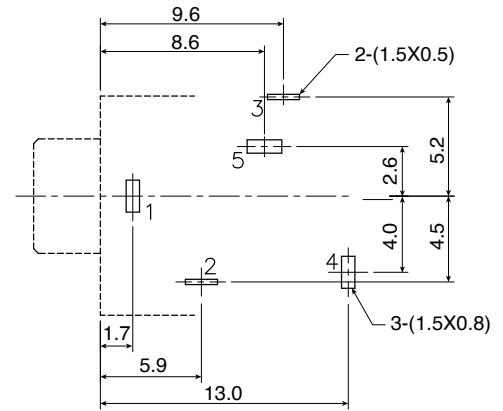
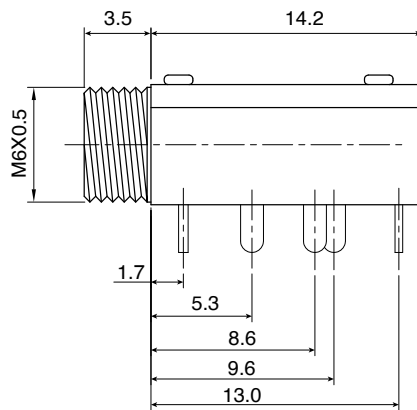
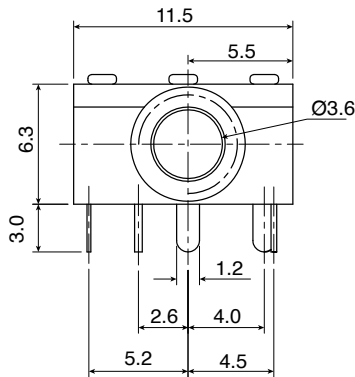
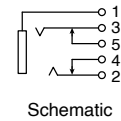
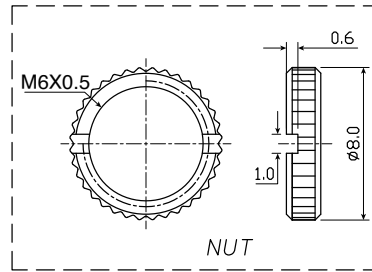
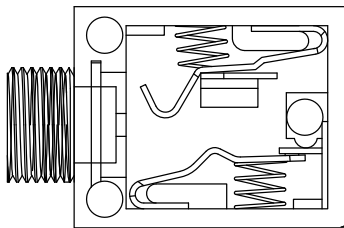


### DIMENSIONS: mm



T:1.6 Dimensions of PC board holes  
Tolerance : ±0.05(Printed-top view)



SPECIFICATIONS	
Type:	Stereo, PCB Mount
Insulation Resistance:	>100MΩ
Contact Resistance:	<30mΩ
Insertion/Extraction Force:	.5 ~ 2Kgs/cm./ .4 ~ 2
Life:	5,000 Cycles
Mounting Holes:	6.3mm
Hardware Included:	Knurled Nut
RoHS Compliant	