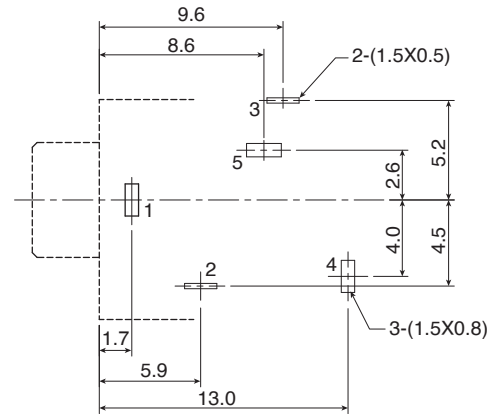
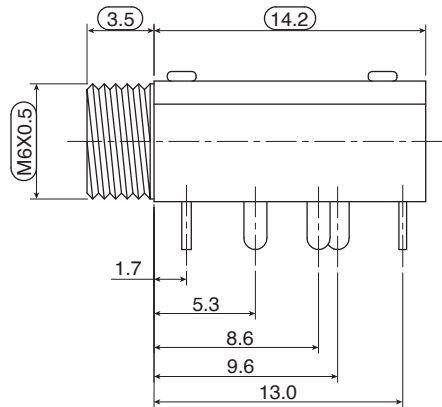
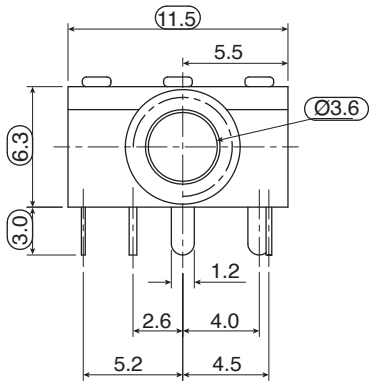
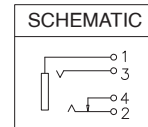
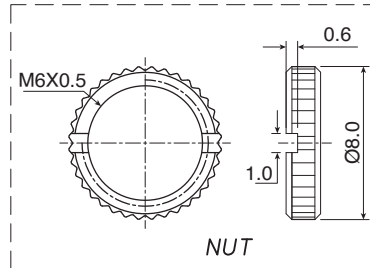
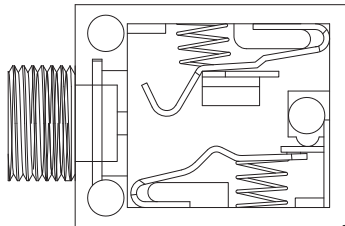


DIMENSIONS: mm



T:1.6 Dimensions of PC board holes
Tolerance : ± 0.05 (Printed-top view)



Specifications:

- Type : Stereo, PCB Mount
- Insulation Resistance : $>100M\Omega$
- Contact Resistance : $<30m\Omega$
- Insertion/Extraction Force : .5 ~ 2Kgs/cm./ .4 ~ 2
- Life : 5,000 Cycles
- Mounting Holes : 6.3mm
- Hardware Included : Knurled Nut

Note: RoHS Compliant by Exemption

Available from Mouser Electronics
1-800-346-6873 / www.mouser.com

KC-301521