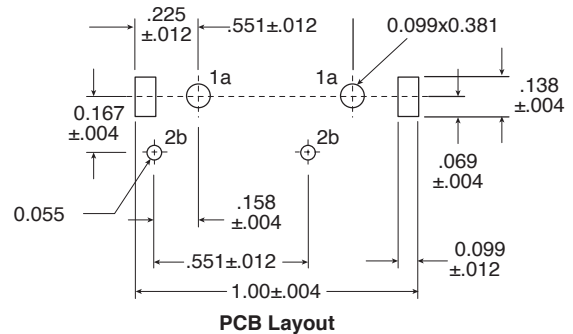
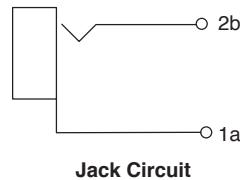
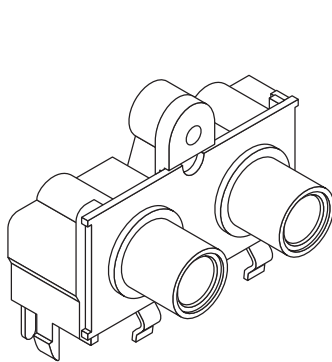
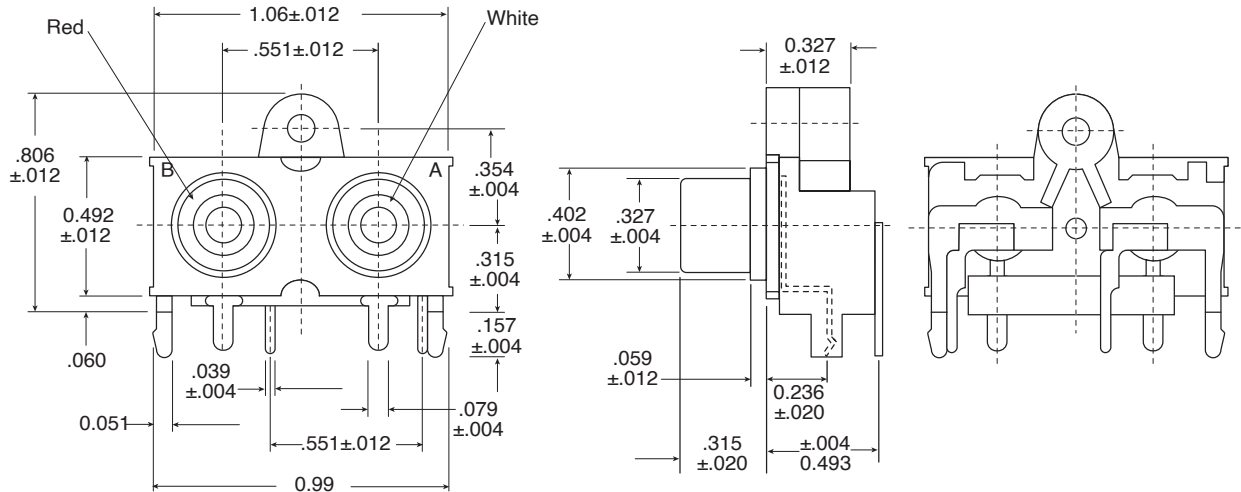


DIMENSIONS: In.



Specifications:

- Type : PCB Dual Phono Horizontal Mount
- Rated Voltage : DC/AC 34V
- Rated Current : DC/AC 2A
- Temperature Range : $-25^{\circ} \sim +70^{\circ}\text{C}$
- Humidity Range : 85% RH max.
- Insulator, Base, Cover : PBT, PBT, ABS
- Terminals : Cu/Sn Plated
- Insulator Color : Red / White

Note: RoHS Compliant

MOUSER STOCK NO.	FINISH
156-4218-E	Cu/Sn Plated
156-4220-E	Gold Plated