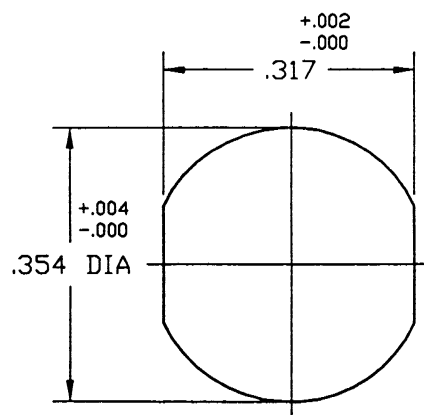
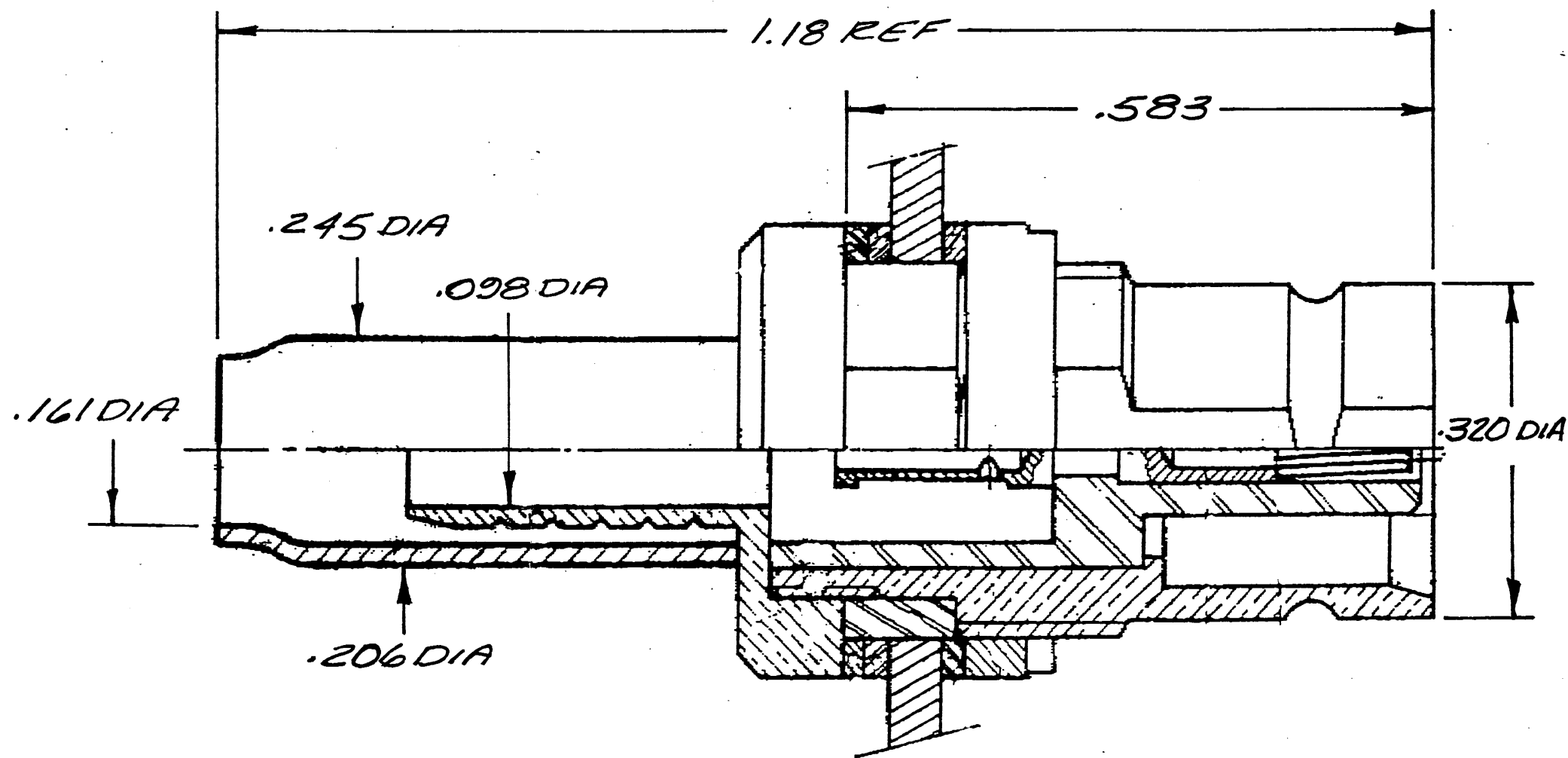


NOTES:

1. DO NOT SCALE THIS DRAWING.
2. REMOVE ALL BURRS, BREAK SHARP EDGES AND CORNERS .005 MAXIMUM, UNLESS OTHERWISE SPECIFIED.
3. UNLESS OTHERWISE SPECIFIED, ALL DIMENSIONS ARE AFTER PLATING.
4. MARK BAG: 'AMPHENOL-SOCAPEX, 156-931-34 AND MADE IN FRANCE'.

156-931-34		REVISIONS			
DRAWING NO.	REV	DESCRIPTION	DATE	ECO	APPR
THIRD ANGLE PROJ.	A	OFFICIAL ENG. RELEASE TO MFG.	4/10/95	40598	PB/K
	B	DWG No WAS 156-931-34	2/4/98	42245	CPM



MOUNTING HOLE DIMENSIONS

UNLESS OTHERWISE SPECIFIED, DIMENSIONS ARE IN INCHES AND TOLERANCES ARE: 2 PLACE DECIMAL ±.015 (0,381 mm) 3 PLACE DECIMAL ±.005 (0,127 mm) ANGLES ± 1'	MATERIAL	DRAWN P. BRENZEL	DATE 4-5-95	TITLE PANEL JACK ISOLATED GROUND		Amphenol Amphenol Corporation RF/Microwave Operations Danbury, Conn. U.S.A. 06810	
	REFERENCE EAR 112-964635	ENGINEER <i>R. B. ...</i>	DATE 4/7/95				
NOTICE - These drawings, specifications, or other data (1) are, and remain the property of Amphenol Corp. (2) must be returned upon request; and (3) are confidential and not to be disclosed to any person other than those to whom they are given by Amphenol Corp. The furnishing of these drawings, specifications, or other data by Amphenol Corp., or to any other person to anyone for any purpose is not to be regarded by implication or otherwise in any manner licensing, granting rights or permitting such holder or any other person to manufacture, use or sell any product, process or design, patented or otherwise, that may in any way be related to or disclosed by said drawings, specifications, or other data.		APPROVED <i>[Signature]</i>	DATE 2/4/98	SCALE: 1	SHEET 1	OF 1	ISSUE B
		CAD FILE	CODE ID 74868	DWG SIZE B	DRAWING NO. 156-931-34		