

This document is the property of Amphenol Corporation and is delivered on the express condition that it is not to be disclosed, reproduced or used, in whole or in part, for manufacture or sale by anyone other than Amphenol Corporation without its prior consent, & that no right is granted to disclose or to use any information in this document.

REVISIONS

SYM	ECN	DESCRIPTION	DATE	APPROVED
A	HK	INITIAL RELEASE	1/10/06	Michael.IP
B2	HK	Correct the description of "25-50 END", add ROHS chop	01/27/06	Michael.IP
B3	HK	Correct the description of UNIT-PACKED	2/04/06	Michael.IP

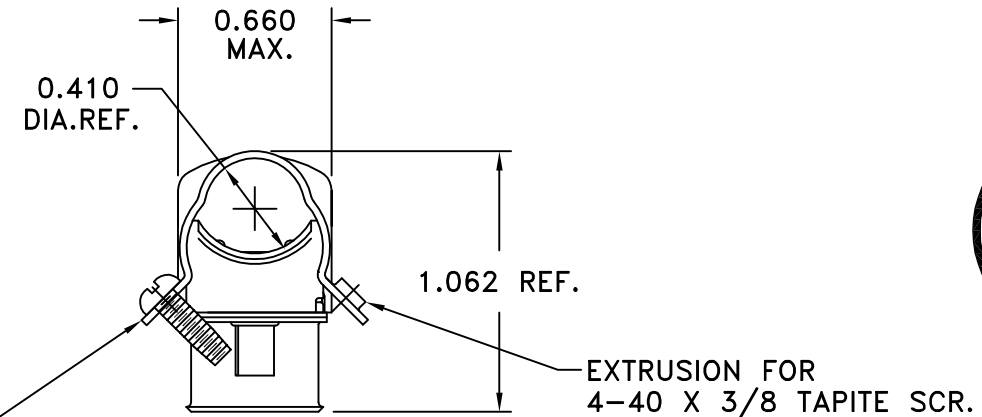
CUSTOMER INFORMATION DRAWING



PUT THE LATCHING SCREW THRU. THE HOLE ON LEFT END OF CONNECTOR. THE SCREW HOLDS THE SHELLS TOGETHER & IS RETAINED BY THREADS IN THE HOOD.

TO ASSEMBLE CONNECTOR, SLIDE THE HOOD (FROM LEFT TO RIGHT ON ILLUSTRATION) IN SUCH A MANNER THAT THE 2 TABS OF THE BRACKET ENTER THE SLOTS OF THE HOOD.

4-40 X 1.0 SCREW



TO TIGHTEN CABLE CLAMP, BEND THE ENDS INWARD UNTIL THE SCREW & EXTRUSION ARE ON CENTER.

4-40 X .375 SCREW

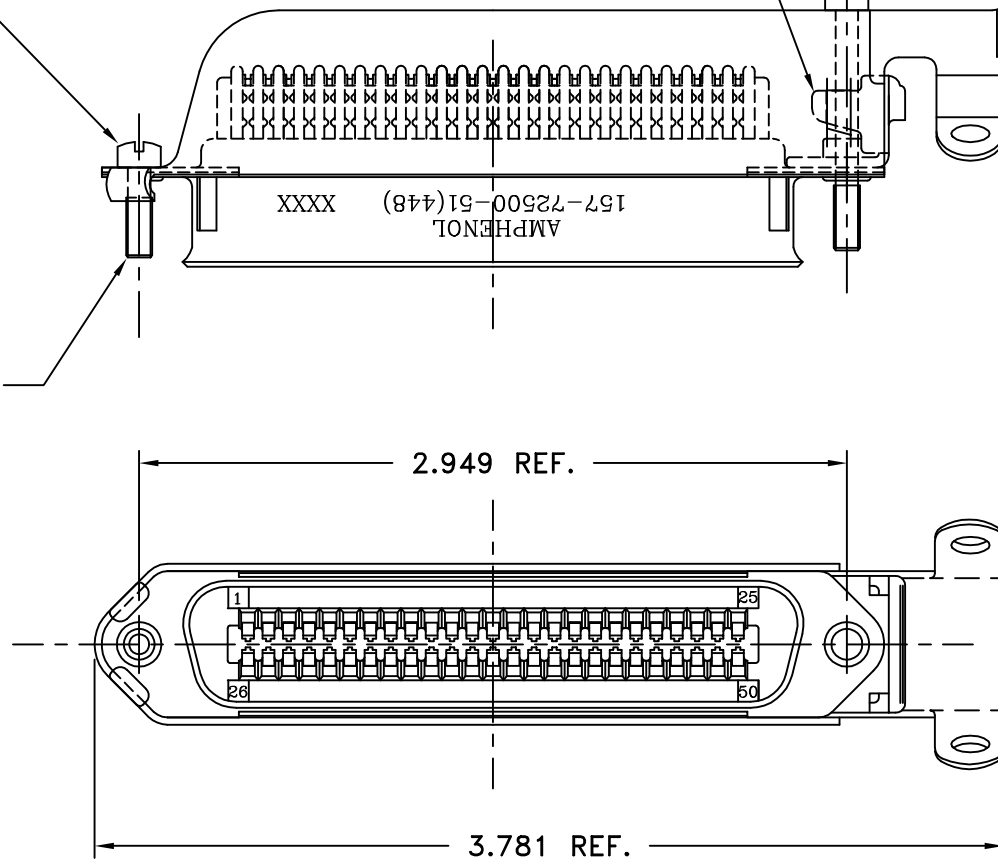


TABLE 1

CONNECTOR SIZES	AVERAGE MATING FORCE (POUNDS)
14	5
24	8
36	12
50	15
64	19

SPECIFICATIONS:

- 1) INSULATION DISPLACEMENT CONTACTS: TO ACCOMMODATE 24-26 AWG SOLID AND 26-28 STRANDED CONNECTOR WIRES.
- 2) DIELECTRIC: PBT GLASS FIBER RE-INFORCED, UL-94V0
- 3) CONTACT MATERIAL: COPPER ALLOY
- 4) CONTACT: 30 MICRO-INCHES MIN. GOLD MATING AREA: 3-5 MICRO-INCHES GOLD TERMINAL AREA: 50 MICRO-INCHES MIN. NICKEL UNDERPLATING ALL OVER.
- 5) SHELL MATERIAL: ZINC PLATED STEEL WITH CLEAR CHROMATE COATING
- 6) CURRENT CAPACITY: 5 AMPS/CONTACT
- 7) VOLTAGE RATING: 700 VOLTS D.C. AT SEA LEVEL
200 VOLTS D.C. AT 70,000 FEET
- 8) INSULATION RESISTANCE: >5000 M OHM
- 9) DIELECTRIC WITHSTANDING VOLTAGE: 1200 VAC (RMS) AT SEA LEVEL
- 10) CONNECTOR MATING FORCE: REFER TO TABLE 1.

- 11) CONTACT RETENTION FORCE: 2 LBS MAX.
- 12) DURABILITY: 250 CYCLES MIN.
- 13) VIBRATION: NO INTERRUPTIONS < 1u SEC.
- 14) OPERATING TEMPERATURE: -55°C TO +105°C (-67°F TO +221°F)
- 15) METAL HOOD, SCREWS AND DUST COVER ARE SHIPPED UNIT- PACKED.
- 16) CONNECTOR ASSEMBLED FOR ILLUSTRATION ONLY.

ITEM NO	PART OR IDENTIFICATION NO	NOMENCLATURE OR DESCRIPTION	QTY REQ'D
PARTS LIST			
UNLESS OTHERWISE SPECIFIED TOLERANCES		APPROVAL	DATE
U.S. METRIC		DRAWN XS.GUO	2/04/06
.X +/- 0.020		CHECKED	
.XX +/- 0.010		CHECKED	
.XXX +/- 0.005		DRAWING FILE : \DRAWING\157\C1577250051448.DWG	
FRACTIONS +/-		ANGLE OF PROJECTION	
ANGLES +/- 1°			
FOR MATERIALS AND FINISHES SEE NOTES			
REMOVE SHARP EDGES			
DIMENSIONS		TITLE 50 CONTACT PLUG ASSEMBLY ULTRA RUNNING CABLE 25-50 END 28 & 26 AWG WIRE, LONG SCREW	
U.S.	INCHES	SIZE	DRAWING NO.
-(METRIC)-	-(MM)-	A3	C157-72500-51(448)
		SCALE	NONE
		SHEET 1 OF 1	