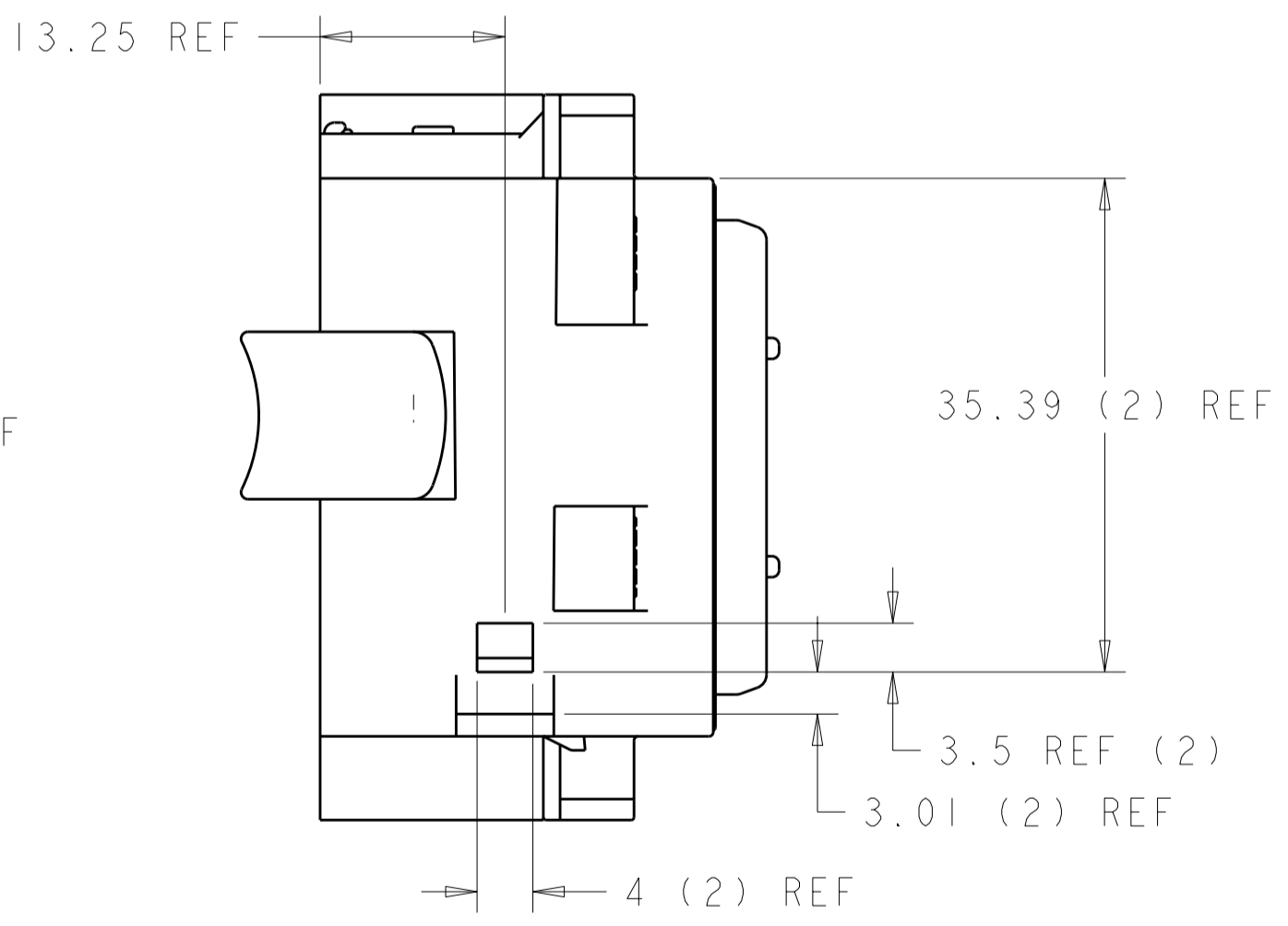
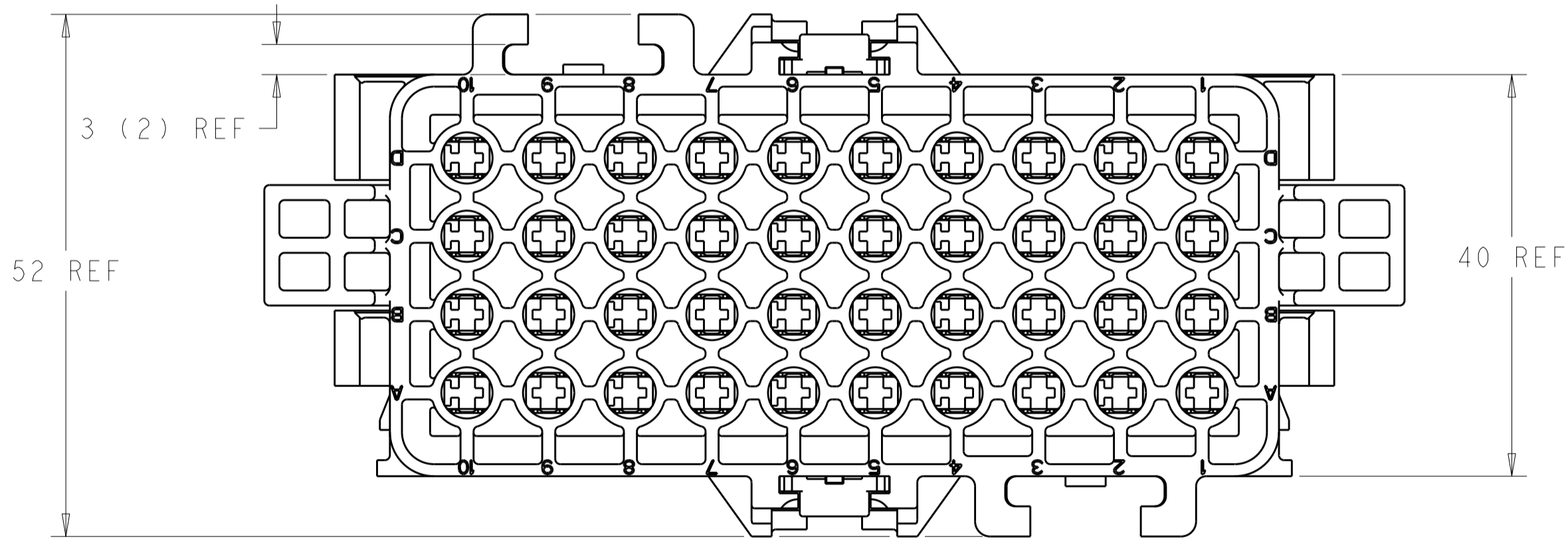
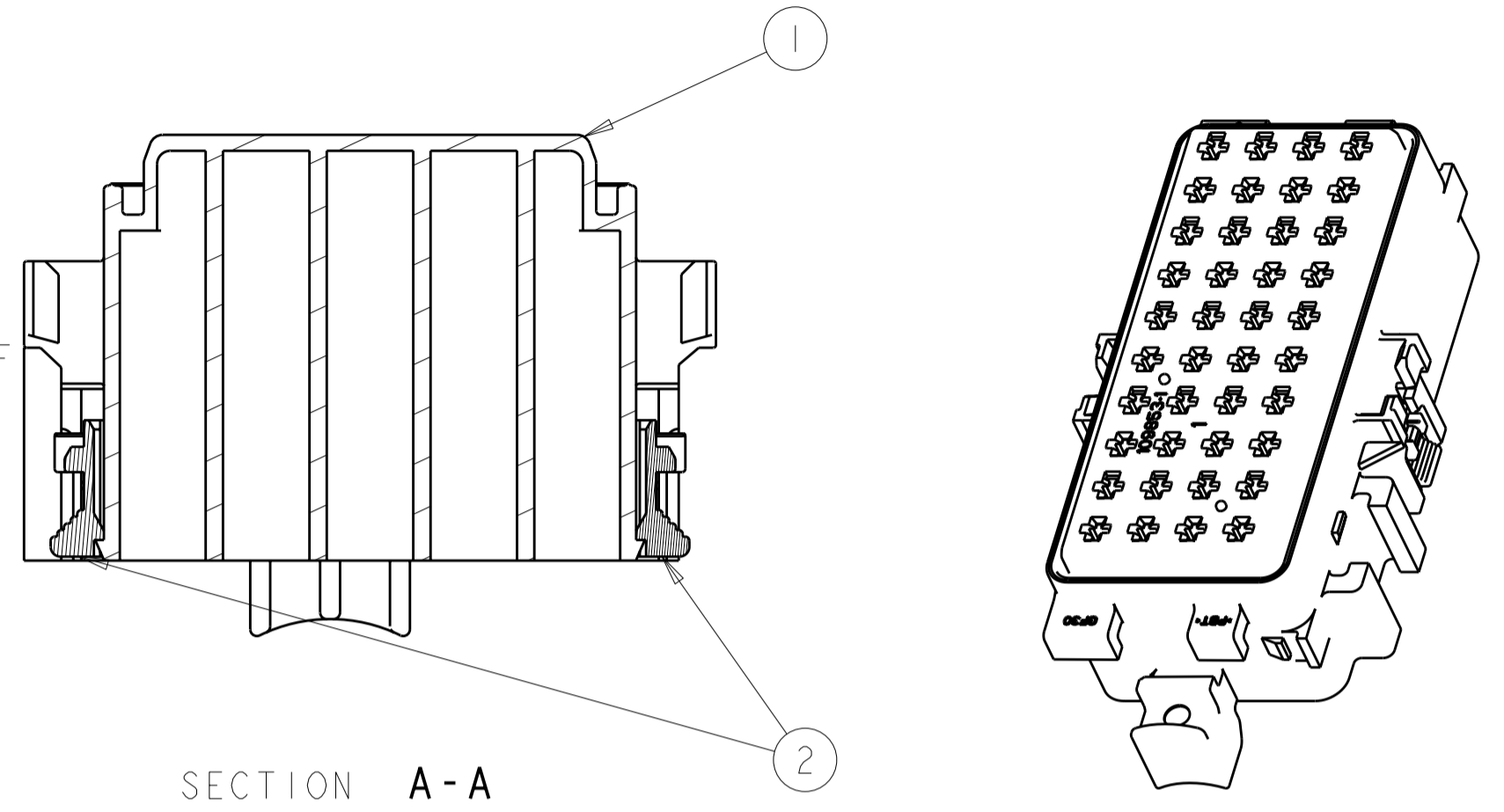
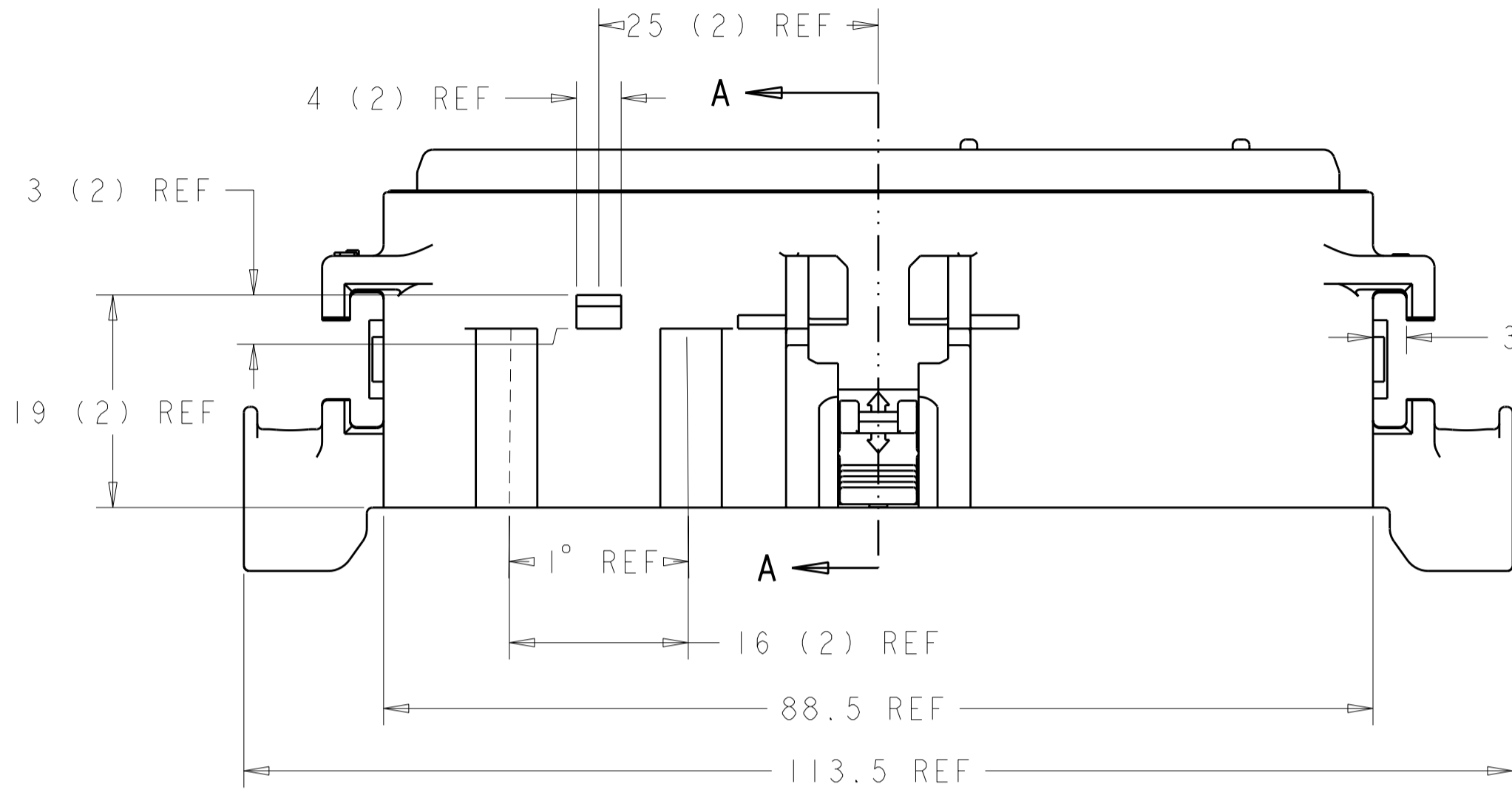


THIS DRAWING IS UNPUBLISHED. RELEASED FOR PUBLICATION 20
 © COPYRIGHT 20 BY TYCO ELECTRONICS CORPORATION. ALL RIGHTS RESERVED.

| LOC | DIST | REVISIONS | | | |
|-----|------|-------------------------|-----------|-----|------|
| P | LTR | DESCRIPTION | DATE | DWN | APVD |
| | HV | 00 | | | |
| | 0 | INITIAL RELEASE | 15DEC2005 | AG | JS |
| | 01 | CORRECT ASSEMBLY NUMBER | 07APR2006 | AG | AG |
| | 02 | ECR-07-004893 | 01MAR2007 | AG | AG |



1. REFERENCE DRAWING 109853 FOR DIMENSIONAL INFORMATION

| QTY | PART NO | DESCRIPTION | MATERIAL | ITEM NO |
|-----|----------|--------------------|----------------|---------|
| 2 | 776467-1 | CPA | PBT-GF15 RED | 2 |
| 1 | 109853-1 | BASE, 40 POSITION | PBT-GF30 BLACK | 1 |
| - 1 | | ASSEMBLY 1587335-1 | | |

| | | | |
|--|---|--|---|
| <small>THIS DRAWING IS A CONTROLLED DOCUMENT FOR TYCO ELECTRONICS CORPORATION. IT IS SUBJECT TO CHANGE AND THE CONTROLLING ENGINEERING ORGANIZATION SHOULD BE CONTACTED FOR THE LATEST REVISION.</small> | | DWN A GUANCO 12DEC2005 CHK A GUANCO 12DEC2005 APVD J SHEVFLA 12DEC2005 | tyco Electronics Tyco Electronics Harrisburg, PA 17105-3608 |
| DIMENSIONS: mm | TOLERANCES UNLESS OTHERWISE SPECIFIED: 0 PLC ±1 1 PLC ±0.25 2 PLC ±0.15 3 PLC ± 4 PLC ± ANGLES ±1 FINISH | PRODUCT SPEC - APPLICATION SPEC - WEIGHT - | NAME BASE ASSEMBLY 40 POSITION SIZE CAGE CODE DRAWING NO RESTRICTED TO A200779 C-1587335 - |
| MATERIAL - | | CUSTOMER DRAWING | SCALE SHEET OF REV 02 |