

**SAFETY ORGANIZATIONS**

THIS MODULE HAS BEEN FORMALLY RECOGNIZED, CERTIFIED OR APPROVED BY THE LISTED AGENCY. THEREFORE, ALL TEST/REQUIREMENTS SPECIFIED IN THE LATEST REVISION OF THE FOLLOWING AGENCY STANDARDS HAVE BEEN MET:

- UL RECOGNIZED: UL 498
- CSA CERTIFIED: CSA C22.2 No. 42
- VDE APPROVED: EN 60320-1

**OPERATING SPECIFICATIONS**

LINE CURRENT/VOLTAGE: 15 AMP, 250 VAC, UL, CSA  
10 AMP, 250 VAC, VDE

LINE FREQUENCY: 50-60Hz

OPERATING TEMPERATURE:  
-40°C - +70°C

PIN TEMPERATURE: 70°C MAX.

**RELIABILITY SPECIFICATIONS:**

STORAGE TEMPERATURE: -40°C TO +85°C  
HUMIDITY: 21 DAYS @ 40°C 95% RH.  
CURRENT OVERLOAD TEST: 6 TIMES I<sub>r</sub> FOR 8 SECONDS

**TEST SPECIFICATIONS:**

L/G AND L/L I.R. @ 6000M (MIN.) 100VDC,  
20°C AND 50% RH

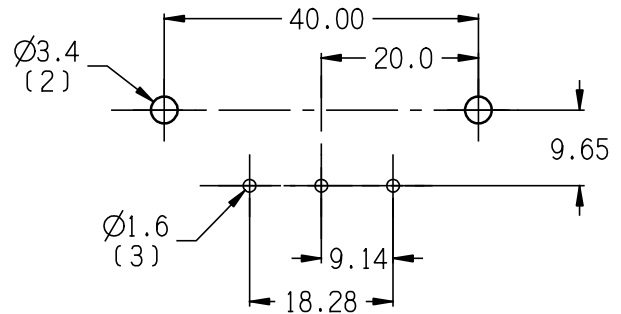
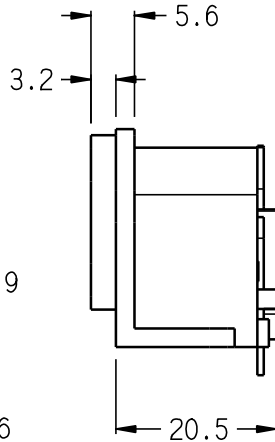
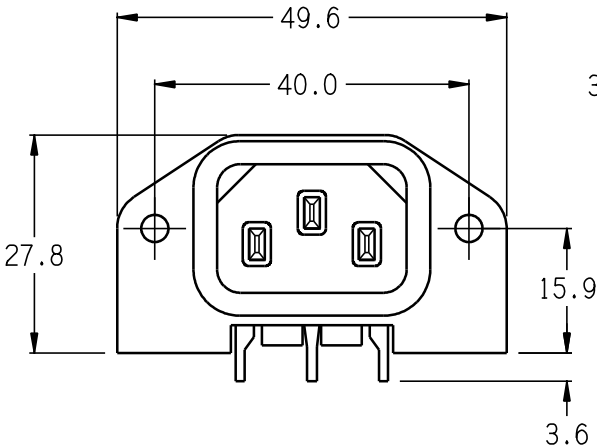
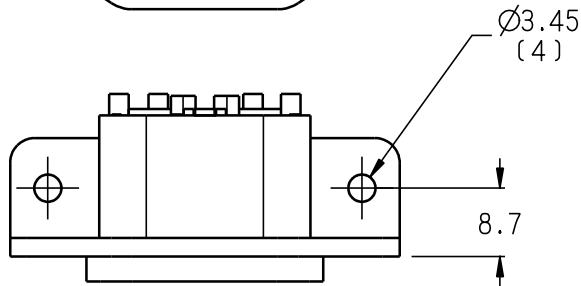
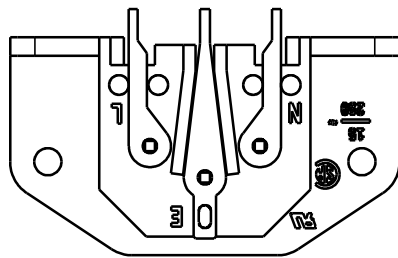
**CUSTOMER DRAWING**

**CATALOG # 6ESRM-P**

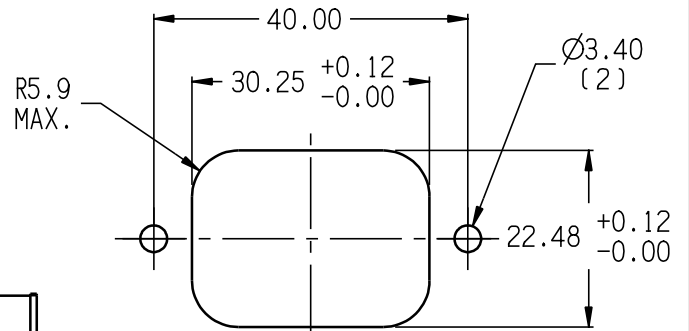
ECN#	APPRVD	DATE
12-006862	TAM	05SEP12
14-004512	TAM	25MAR14

**RECOMMENDED RECEIVING INSPECTION HIPOT:**

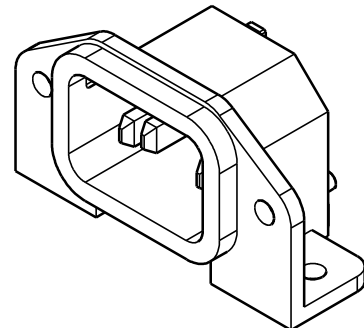
LINE TO GROUND: 1500 VAC FOR 1 MINUTE  
LINE TO LINE: 1450 VDC FOR 1 MINUTE



PCB MOUNTING DETAIL



PANEL MOUNTING DETAIL



**50 Ω - 50 Ω (MINIMUM) INSERTION LOSS**

FREQUENCY MHz	/	/	/	/	/	/	/	/	/	/	/
COMMON dB	/	/	/	/	/	/	/	/	/	/	/
DIFF. dB	/	/	/	/	/	/	/	/	/	/	/

PARTS SHALL COMPLY WITH TYCO ELECTRONICS 138-702 SPECIFICATION FOR HAZARDOUS SUBSTANCES

UNLESS OTHERWISE SPECIFIED  
TOLERANCE TO BE ±0.64  
MATERIAL & FINISH: AS SUPPLIED  
DIMENSIONS IN MILLIMETERS



NOTES:

**CUSTOMER DRAWING**

TE PART NO.: 1609078-1			
SCALE: 1:1	DATE: 17FEB10	DRAWING NUMBER: 6ESRM-P	REV. D
DRW. BY: LJD	DRTG: FCW		



THIS INFORMATION IS CONFIDENTIAL AND PROPRIETARY TO TYCO ELECTRONICS CORPORATION AND ITS WORLDWIDE SUBSIDIARIES AND AFFILIATES. IT MAY NOT BE DISCLOSED TO ANYONE OTHER THAN TYCO ELECTRONICS PERSONNEL, WITHOUT WRITTEN AUTHORIZATION FROM TYCO ELECTRONICS CORPORATION. (www.TE.com)