

# Legacy General Purpose Relays

Catalog  
2017



---

■ Series Overview . . . . .	3
■ 792 Control Series . . . . .	4
■ 781R Series . . . . .	9
■ 782 Power Series . . . . .	13
■ 783 Series . . . . .	17
■ 784 Series . . . . .	21
■ 750R Series . . . . .	25
■ 788R Series . . . . .	29
■ 782H Hazardous Location Series . . . . .	33
■ 750H Hazardous Location Series . . . . .	37
■ UL Listed Relay/Socket Combinations . . . . .	41
■ Sockets	
□ Socket Specifications . . . . .	42
□ Mounting Adapter Specifications . . . . .	66
■ Socket Accessories	
□ Overview . . . . .	67
□ Hold-Down Clips . . . . .	68
□ Insulated Coil Bus Jumper System . . . . .	71
□ DIN Rail and DIN Clip . . . . .	71
□ ID Tags . . . . .	71
□ Panel Mount Adapter . . . . .	72
■ Socket Modules . . . . .	72
■ Application Data . . . . .	73
■ Website Guide . . . . .	74

Designed with specialized magnetic armatures and coils, our general purpose relays easily handle current loads ranging from 10–15 A. With multiple features, and a broad line of sockets and accessories, these relays offer options to improve design, speed up installation, and simplify testing of your application.

## Key Features

- Socket, panel, and DIN mounting options
- Multiple features and contact configurations available
- Optional protection, mounting, and identification accessories
- Ideal choice for direct replacement in MRO applications (maintenance, repair, and operations)
- UL Class I Division 2 models for hazardous locations

	Series	Features	Terminals	Contact Configuration	Output Current	Page
	792 Control	Plug-In Relay	Blade	DPDT and 4PDT	3–12 A	4
	781R	Plug-In Relay	Blade	SPDT	15 A	9
	782 Power	Plug-In Relay	Blade	DPDT	15 A	13
	783	Plug-In Relay	Blade	3PDT	15 A	17
	784	Plug-In Relay	Blade	4PDT	15 A	21
	750R	Plug-In Relay	Octal (8 Pin)	DPDT	10 A	25
			Octal (11 Pin)	3PDT	10 A	
	788R	Plug-In Relay	Blade	DPDT and 3PDT	10 A	29
	782H	Hermetically Sealed Relay	Blade	4PDT	5 A	33
					3 A	
					1 A	
	750H	Hermetically Sealed Relay	Octal (8 Pin)	DPDT	12 A	37
			Octal (11 Pin)	3PDT	12 A	

## Description

# Legacy General Purpose Relays

## 792 Control Series

DPDT 12 A; 4PDT 6 A and 3 A



UL Listed when used with corresponding sockets



792 Clear Cover



792 Full-Feature Cover

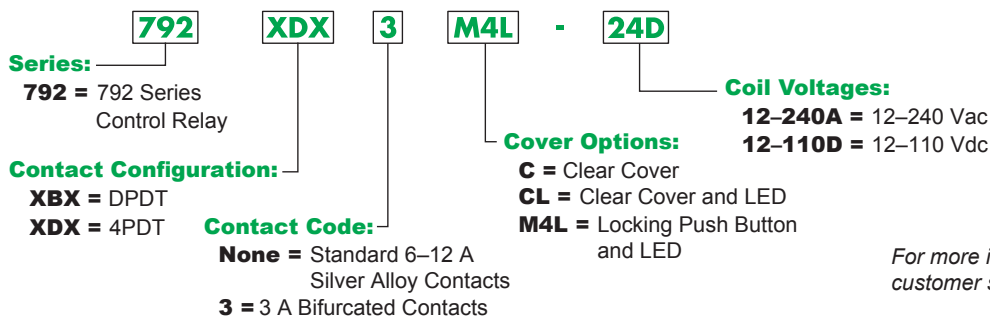
## Description

The 792 plug-in control relays offer clear or full-feature covers with multiple mounting options and accessories. The 4PDT models save valuable space while adding increased functionality.

Feature	Benefit
12 A / 6 A / 3 A switching current	Ideal choice for various automation panels and controls
Clear or full-feature cover options	Full-feature covers include an LED indicator and a locking test button to facilitate maintenance and speed up commissioning
DPDT and 4PDT contact options	Simultaneous control of 2 or 4 separate circuits
Socket-mounting option	Simplified installation and maintenance; use of protection modules, hold-down clips, and other accessories
Gold-flashed contacts	Reduced contact oxidation and increased shelf life
Mechanical flag indicator (standard)	Display of the status of an unpowered relay during testing or operation

Contact Rating	Contact Configuration	Nominal Coil Voltage	Coil Resistance (Ω)	Contacts	Part Number		
					Clear Cover	Clear Cover with LED	Full-Feature Cover
3 A	4PDT	12 Vac	44	Low-Level Bifurcated	792XDX3C-12A	792XDX3CL-12A	792XDX3M4L-12A
		24 Vac	177		792XDX3C-24A	792XDX3CL-24A	792XDX3M4L-24A
		48 Vac	708		792XDX3C-48A	792XDX3CL-48A	792XDX3M4L-48A
		120 Vac	3630		792XDX3C-120A	792XDX3CL-120A	792XDX3M4L-120A
		240 Vac	17720		792XDX3C-240A	792XDX3CL-240A	792XDX3M4L-240A
		12 Vdc	160		792XDX3C-12D	792XDX3CL-12D	792XDX3M4L-12D
		24 Vdc	640		792XDX3C-24D	792XDX3CL-24D	792XDX3M4L-24D
		48 Vdc	2560		792XDX3C-48D	792XDX3CL-48D	792XDX3M4L-48D
		110 Vdc	13440		792XDX3C-110D	792XDX3CL-110D	792XDX3M4L-110D
		12 A	DPDT		12 Vac	44	Standard
24 Vac	177			792XBXC-24A	—	792XBXM4L-24A	
48 Vac	708			792XBXC-48A	—	792XBXM4L-48A	
120 Vac	3630			792XBXC-120A	—	792XBXM4L-120A	
240 Vac	17720			792XBXC-240A	—	792XBXM4L-240A	
12 Vdc	160			792XBXC-12D	—	792XBXM4L-12D	
24 Vdc	640			792XBXC-24D	—	792XBXM4L-24D	
48 Vdc	2560			792XBXC-48D	—	792XBXM4L-48D	
110 Vdc	13440			792XBXC-110D	—	792XBXM4L-110D	
6 A	4PDT			12 Vac	44	Standard	
		24 Vac	177	792XDXC-24A	792XDXCCL-24A		792XDXM4L-24A
		48 Vac	708	792XDXC-48A	792XDXCCL-48A		792XDXM4L-48A
		120 Vac	3630	792XDXC-120A	792XDXCCL-120A		792XDXM4L-120A
		240 Vac	17720	792XDXC-240A	792XDXCCL-240A		792XDXM4L-240A
		12 Vdc	160	792XDXC-12D	792XDXCCL-12D		792XDXM4L-12D
		24 Vdc	640	792XDXC-24D	792XDXCCL-24D		792XDXM4L-24D
		48 Vdc	2560	792XDXC-48D	792XDXCCL-48D		792XDXM4L-48D
		110 Vdc	13440	792XDXC-110D	792XDXCCL-110D		792XDXM4L-110D

### Part Number Explanation



For more information, contact customer service (1-847-441-2540).

## Specifications

Part Number		792XBX
<b>Contact Characteristics</b>		
Terminal Style	Blade	
Contact Material	Silver Alloy	
Contact Configuration	DPDT	
Carrying Current	12 A	
Maximum Switching Voltage	IEC: 250 Vac / 28 Vdc UL/CSA: 300 Vac / 30 Vdc	
Rated Switching Current (Conforming to IEC AC-1 and DC-1)	N.O.: 12 A at 250 Vac, N.C.: 6 A at 250 Vac N.O.: 12 A at 28 Vdc, N.C.: 6 A at 28 Vdc	
Rated Switching Current (Conforming to UL)	Resistive	12 A at 277 Vac, 100 k cycles 12 A at 120 Vac, 200 k cycles 12 A at 30 Vdc, 100 k cycles
	Motor	1/2 hp at 120 Vac, 6 k cycles 1 hp at 277 Vac, 6 k cycles
	B300 Pilot Duty	6 k cycles
Minimum Switching Requirement	10 mA at 17 Vdc	
<b>Coil Characteristics</b>		
Maximum Operating Voltage	110% (AC/DC)	
Maximum Pickup Voltage	80% (AC/DC)	
Drop-out Voltage Threshold	15% (AC); 10% (DC)	
Average Consumption	0.9–1.2 VA (AC); 0.8–1.1 W (DC)	
<b>General Characteristics</b>		
Electrical Life at Rated Load	200,000 operations (where stated)	
Mechanical Life (Unpowered)	10,000,000 operations	
Operating Time	25 ms max. at 80% rated coil voltage 20 ms max. at 100% rated coil voltage	
Release Time	20 ms max. (DC) 35 ms max. (AC)	
Impulse Withstand Voltage	4 kV (1.2 / 50 μs)	
Dielectric Strength	Between Coil and Contact (AC)	2000 V (rms)
	Between Poles (AC)	2000 V (rms)
	Between Contacts (AC)	1300 V (rms)
Ambient Air Temperature Around the Device	Storage	–40 to +85 °C (–40 to +185 °F)
	Operation	–40 to +55 °C (–40 to +131 °F)
Vibration Resistance	In Operation	3 gn at 35–150 Hz
	Not Operating	5 gn at 35–150 Hz
Shock Resistance	In Operation	10 gn
	Not Operating	30 gn
Degree of Protection (Housing Only)	IP40	
Weight	37 g (1.31 oz)	
Agency Approvals	UL with socket, UR (E164862), CE, CSA (LR44087), RoHS	

Note: Actual product performance may vary depending on the application and environmental conditions.

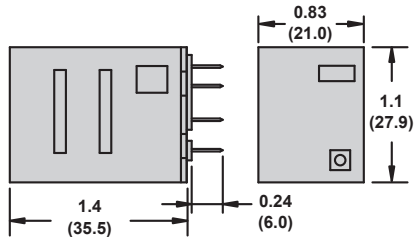
### Specifications (continued)

Part Number		792XDX	792XDX3
<b>Contact Characteristics</b>			
Terminal Style		Blade	Blade
Contact Material		Silver Alloy	Bifurcated
Contact Configuration		4PDT	4PDT
Carrying Current		6 A	3 A
Load Type		Standard	Low Level
Maximum Switching Voltage		300 V	300 V
Rated Switching Current (Conforming to IEC AC1 and DC1)	250 Vac	N.O.: 6 A; N.C.: 3 A	N.O.: 2 A; N.C.: 1 A
	28 Vdc	N.O.: 6 A; N.C.: 3 A	N.O.: 2 A; N.C.: 1 A
Switching Current (Conforming to UL)	General Purpose	—	3 A at 240–277 Vac 3 A at 120 Vac
	Resistive	6 A at 277 Vac, 200 k cycles 8 A at 120 Vac, 200 k cycles 8 A at 30 Vdc, 200 k cycles	3 A at 30 Vdc
	Motor	1/3 hp at 120 Vac, 6 k cycles 1/2 hp at 277 Vac, 6 k cycles	1/16 hp (2.8 A FLA) at 120 Vac
	Pilot Duty	B300, 6 k cycles	5 A make, 0.5 A break, 3 A continuous at 120 Vac
Minimum Switching Requirement		10 mA at 17 Vdc	3 mA at 5 Vdc
<b>Coil Characteristics</b>			
Maximum Operating Voltage		110% (AC/DC)	
Maximum Pickup Voltage		80% (AC/DC)	
Drop-out Voltage Threshold		15% (AC); 10% (DC)	
Average Consumption		0.9–1.2 VA (AC); 0.8–1.1 W (DC)	
<b>General Characteristics</b>			
Electrical Life at Rated Load		200,000 operations (where stated)	100,000 operations (general purpose load)
Mechanical Life (Unpowered)		10,000,000 operations	
Operating Time		25 ms max. at 80% rated coil voltage 20 ms max. at 100% rated coil voltage	
Release Time		DC: 20 ms max. AC: 35 ms max.	
Impulse Withstand Voltage		2.5 kV (1.2 / 50 µs)	
Dielectric Strength	Between Coil and Contact (AC)	2000 V (rms)	
	Between Poles (AC)	1600 V (rms)	
	Between Contacts (AC)	1300 V (rms)	
Ambient Air Temperature Around the Device	Storage	–40 to +85 °C (–40 to +185 °F)	
	Operation	–40 to +55 °C (–40 to +131 °F)	
Vibration Resistance	In Operation	3 gn at 35–150 Hz	
	Not Operating	5 gn at 35–150 Hz	
Shock Resistance	In Operation	10 gn	
	Not Operating	30 gn	
Degree of Protection (Housing Only)		IP40	
Weight		37 g (1.31 oz)	
Agency Approvals		UL with socket, UR (E164862), CE, CSA (LR44087), RoHS	

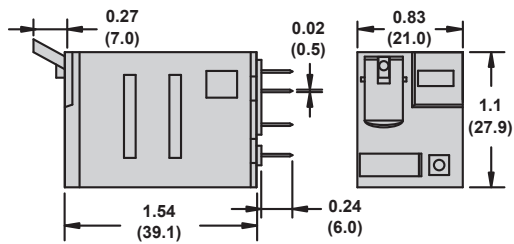
Note: Actual product performance may vary depending on the application and environmental conditions.

## Dimensions, in. (mm)

Clear Cover Dimension

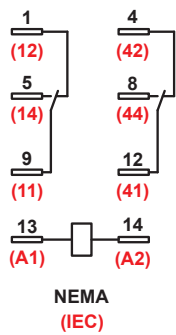


Full-Feature Cover Dimension

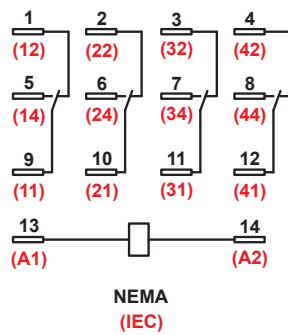


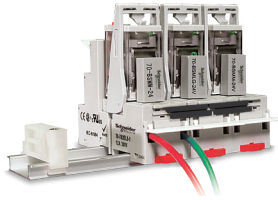
## Wiring Diagrams

DPDT



4PDT

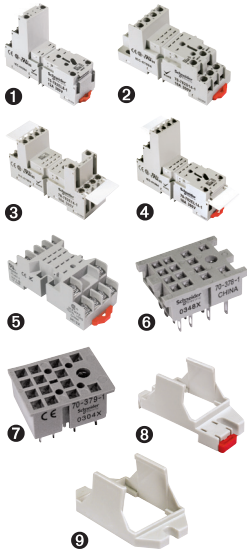




### Description

Optional sockets offer customizable solutions including protection modules, hold-down clips, and ID tags. Sockets are finger-safe according to IP20, and compatible with DIN rail or panel mounting.

### Relay Accessories



Description	Function	For Use with Relays	Pkg. Min.	Standard Part Number
Socket 1	DIN or panel mounting with elevator terminals	792XBX	10	70-782EL8-1
Socket 2	DIN or panel mounting with screw terminals and clamping plates	792XBX / 792XDX	10	70-782D14-1
Socket 3	DIN or panel mounting with rising elevator box terminals		10	70-782E14-1
Socket 4	DIN or panel mounting with elevator terminals		10	70-782EL14-1
Socket 5	DIN or panel mounting with screw terminals and clamping plates		10	70-461-1
Socket 6	Solder terminals for chassis mounting	792XDX	10	70-378-1
Socket 7	Printed circuit terminals for PCB mounting		10	70-379-1
Adapter 8	Direct DIN rail mounting	792XBX / 792XDX	10	16-782C
Adapter 9	Direct panel mounting		10	16-782C1

### Socket Accessories



Description	Function	For Use with Sockets	Coil Voltage	Pkg. Min.	Standard Part Number
Metal Spring Clip 1	Securing the relay in the socket	70-782D14-1, 70-782E14-1, 70-782EL14-1, 70-782EL8-1	—	10	16-782SC
Plastic Hold-Down Clip 2	Securing the relay in the socket or ejecting the relay from the socket		—	10	16-782PC-1
Write-on Tag 3	Small write-on tag		—	10	16-782FT-1
Write-on Tag 4	Write-on tag for the 16-782PC-1 hold-down clip	—	—	10	16-700ST-1
Extruded Aluminum DIN Rail, 1 m (39.37 in.) 5	Quick installation and removal of sockets	70-782D14-1, 70-782E14-1, 70-782EL8-1, 70-782EL14-1	—	10	16-700DIN
DIN Rail End Clip 6	Holding the sockets firmly in place on a DIN rail	—	—	10	16-DCLIP-1
Insulated Coil Bus Jumper System 7	Wireless socket connection	70-782EL8-1, 70-782EL14-1	—	10	16-782CBJ-1
<b>Small Socket Modules</b>					
Protection Diode	Protecting the external drive circuitry from inductive voltages	70-782D14-1, 70-782E14-1, 70-782EL14-1, 70-782EL8-1	6–250 Vdc	10	70-BSMD-250
LED Indicator 7	Providing coil status at a glance		24 Vac/Vdc	10	70-BSMLG-24
MOV Suppressor	Protection from damaging electrical spikes		120 Vac/Vdc	10	70-BSMM-120
			24 Vac/Vdc	10	70-BSMM-24
			240 Vac/Vdc	10	70-BSMM-240

Note: Using an LED socket module can increase the coil power draw by up to 10%.



## Description

# Legacy General Purpose Relays

## 781R Series

### SPDT 15 A



UL Listed when used with corresponding sockets



781R Clear Cover



781R Full-Feature Cover

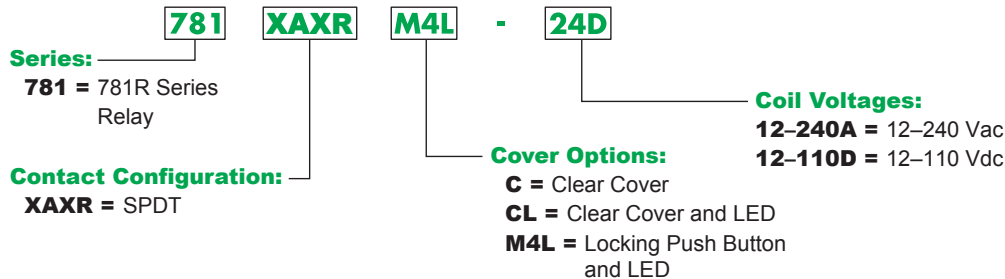
## Description

The 781R Series plug-in relays offer clear or full-feature covers with multiple mounting options and accessories.

Feature	Benefit
15 A max. switching current	Ideal choice for automation control panels
14 mm width	Slim design to save valuable space
Clear or full-feature cover options	Full-feature covers include an LED indicator and a locking test button
Socket-mounting option	Simplified installation and maintenance; use of protection modules, hold-down clips, and other accessories
Gold-flashed contacts	Reduced contact oxidation and increased shelf life
Mechanical flag indicator (standard)	Display of the relay status during testing or operation

Contact Rating	Contact Configuration	Nominal Voltage	Coil Resistance (Ω)	Standard Part Number		
				Clear Cover	Clear Cover with LED	Full-Feature
15 A	SPDT	12 Vac, 50/60 Hz	44	781XAXRC-12A	781XAXRCL-12A	781XAXRM4L-12A
		24 Vac, 50/60 Hz	177	781XAXRC-24A	781XAXRCL-24A	781XAXRM4L-24A
		48 Vac, 50/60 Hz	708	781XAXRC-48A	781XAXRCL-48A	781XAXRM4L-48A
		120 Vac, 50/60 Hz	4,430	781XAXRC-120A	781XAXRCL-120A	781XAXRM4L-120A
		240 Vac, 50/60 Hz	17,720	781XAXRC-240A	781XAXRCL-240A	781XAXRM4L-240A
		12 Vdc	115	781XAXRC-12D	781XAXRCL-12D	781XAXRM4L-12D
		24 Vdc	450	781XAXRC-24D	781XAXRCL-24D	781XAXRM4L-24D
		48 Vdc	1,800	781XAXRC-48D	781XAXRCL-48D	781XAXRM4L-48D
	110 Vdc	9,460	781XAXRC-110D	781XAXRCL-110D	781XAXRM4L-110D	

## Part Number Explanation



For more information, contact customer service (1-847-441-2540).

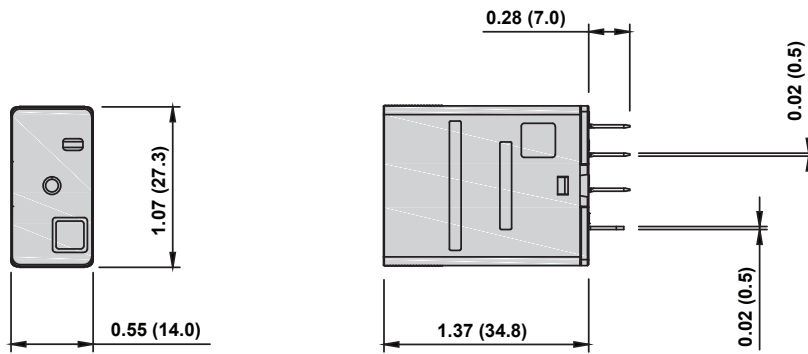
## Specifications

Part Number		781XAXR
<b>Contact Characteristics</b>		
Terminal Style		Blade
Contact Material		Silver Alloy
Contact Configuration		SPDT
Carrying Current		15 A
Maximum Switching Voltage		IEC: 250 Vac / 28 Vdc UL/CSA: 300 Vac / 28 Vdc
Rated Switching Current at Voltage (Conforming to IEC AC-1 and DC-1)	at 250 Vac	N.O.: 15 A; N.C.: 7.5 A
	at 28 Vdc	N.O.: 15 A; N.C.: 7.5 A
Rated Switching Current at Voltage (Conforming to UL)	Resistive	15 A at 277 Vac, 50/60 Hz, 100 k cycles 15 A at 28 Vdc, 100 k cycles
	Motor	1/2 hp at 120 Vac, 1 k cycles 1 hp at 277 Vac, 1 k cycles
	Pilot Duty	B300
Rated Switching Current at Voltage (Conforming to CSA)	Resistive	15 A at 150 Vac, 50/60 Hz, 100 k cycles 10 A at 277 Vdc, 100 k cycles 15 A at 28 Vdc, 100 k cycles
	Motor	1/2 hp at 120 Vac, 1 k cycles 1 hp at 277 Vac, 1 k cycles
	Pilot Duty	B300
Minimum Switching Requirement		10 mA at 17 Vdc
<b>Coil Characteristics</b>		
Maximum Operating Voltage		110% (AC/DC)
Maximum Pickup Voltage		85% (AC/DC)
Drop-out Voltage Threshold		15% (AC); 10% (DC)
Average Consumption		Standard: 1.6 VA (AC); 1.1 W (DC) With LED: 1.9 VA (AC); 1.4 W (DC)
<b>General Characteristics</b>		
Electrical Life at Rated Load		100,000 operations
Mechanical Life (Unpowered)		10,000,000 operations
Operating Time (Response Time)		20 ms
Dielectric Strength	Between Coil and Contact (AC)	2000 V (rms)
	Between Poles (AC)	2000 V (rms)
	Between Contacts (AC)	1500 V (rms)
Ambient Air Temperature Around the Device	Storage	-40 to +85 °C (-40 to +185 °F)
	Operation	-40 to +55 °C (-40 to +131 °F)
Vibration Resistance—In Operation		±1 mm (10–35 Hz) and 3 gn (35–150 Hz)
Shock Resistance		15 gn
Degree of Protection (Housing Only)		IP40
Weight		29 g (1.02 oz)
Agency Approvals		UL with socket, UR (E164862), CE, CSA (LR44087), RoHS

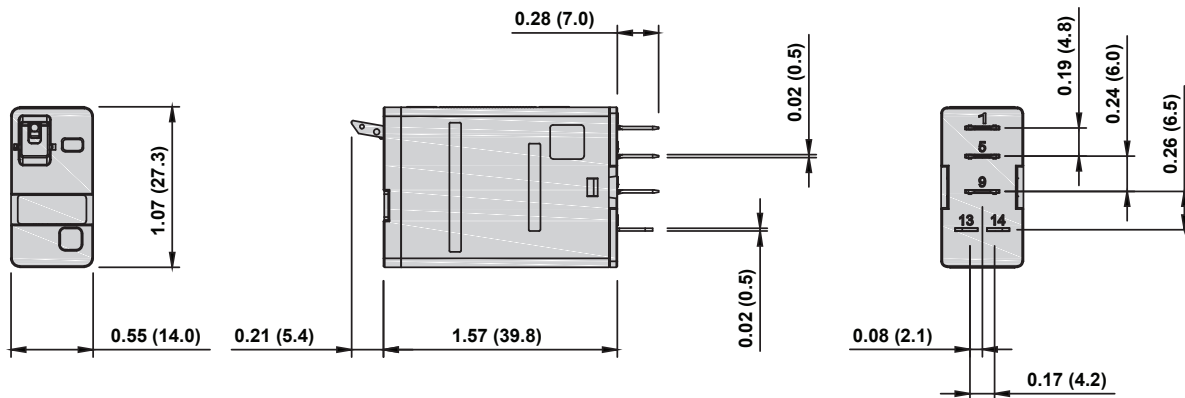
Note: Actual product performance may vary depending on the application and environmental conditions.

## Dimensions, in. (mm)

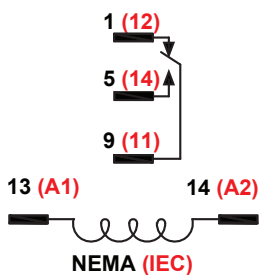
### Clear Cover Dimensions

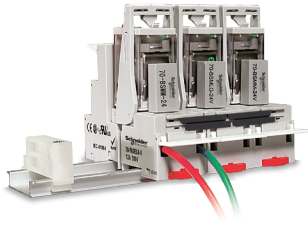


### Full-Feature Cover Dimensions



## Wiring Diagram

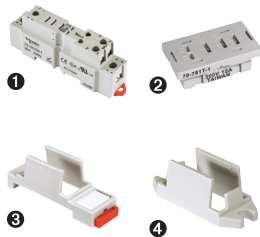




### Description

Optional sockets offer customizable solutions including protection modules, hold-down clips, and ID tags. Sockets are finger-safe according to IP20, and compatible with DIN rail or panel mounting.

### Relay Accessories



Description	Function	For Use with Relays	Pkg. Min.	Standard Part Number
Socket 1	DIN or panel mounting with screw terminals and clamping plates	781XAXR	10	70-781D5R-1A
Socket 2	PCB mounting		10	70-781T-1
Adapter 3	Direct DIN rail mounting		10	16-781C
Adapter 4	Direct panel mounting		10	16-781C1

### Socket Accessories



Description	Function	For Use with Sockets	Coil Voltage	Pkg. Min.	Standard Part Number
Metal Spring Clip 1	Securing the relay in the socket	70-781D5R-1A, 70-781T-1	—	10	16-781SC
Plastic ID Hold-Down Clip 2	Securing the relay in the socket and providing labeling	70-781D5R-1A	—	10	16-781IDC
Extruded Aluminum DIN Rail, 1 m (39.37 in.) 3	Quick installation and removal of sockets		—	10	16-700DIN
DIN Rail End Clip 3	Holding the sockets firmly in place on a DIN rail	—	—	10	16-DCLIP-1
<b>Small Socket Modules</b>					
Protection Diode	Protecting the external drive circuitry from inductive voltages	70-781D5R-1A	6–250 Vdc	10	70-BSMD-250
LED Indicator 4	Providing coil status at a glance		24 Vac/Vdc	10	70-BSMLG-24
MOV Suppressor	Protection from damaging electrical spikes		120 Vac/Vdc	10	70-BSMM-120
			24 Vac/Vdc	10	70-BSMM-24
			240 Vac/Vdc	10	70-BSMM-240

Note: Using an LED socket module can increase the coil power draw by up to 10%.

## Description

# Legacy General Purpose Relays

## 782 Power Series

### DPDT 15 A



UL Listed when used with corresponding sockets



782 Clear Cover



782 Full-Feature Cover

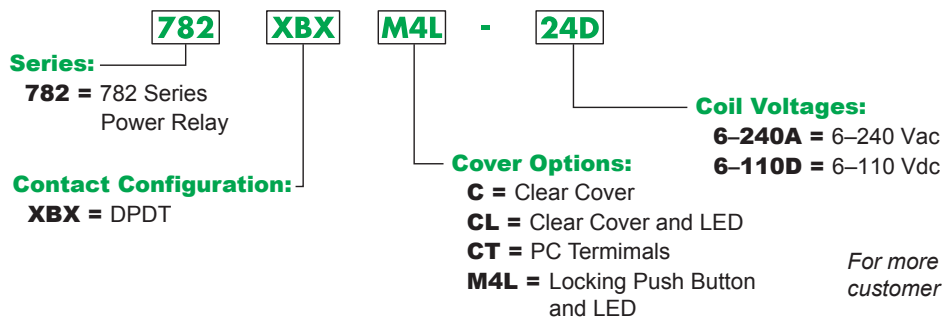
## Description

The 782 plug-in power relays offer clear or full-feature covers with multiple mounting options and accessories.

Feature	Benefit
15 A switching current	Ideal choice for automation control panels
Clear or full-feature cover options	Full-feature covers include an LED indicator and a locking test button
Socket-mounting option	Simplified installation and maintenance; use of protection modules, hold-down clips, and other accessories
Gold-flashed contacts	Reduced contact oxidation and increased shelf life
Mechanical flag indicator (standard)	Display of the relay status during testing or operation

Contact Rating	Contact Configuration	Nominal Voltage	Coil Resistance ( $\Omega$ )	Standard Part Number			
				Clear Cover	Clear Cover with LED	PC Mount	Full-Feature
15 A	DPDT	6 Vac, 50/60 Hz	11	—	—	782XBXC-6A	—
		12 Vac, 50/60 Hz	44	782XBXC-12A	782XBXCL-12A	782XBXC-12A	782XBXM4L-12A
		24 Vac, 50/60 Hz	177	782XBXC-24A	782XBXCL-24A	782XBXC-24A	782XBXM4L-24A
		48 Vac, 50/60 Hz	708	782XBXC-48A	782XBXCL-48A	782XBXC-48A	782XBXM4L-48A
		120 Vac, 50/60 Hz	4430	782XBXC-120A	782XBXCL-120A	782XBXC-120A	782XBXM4L-120A
		240 Vac, 50/60 Hz	17720	782XBXC-240A	782XBXCL-240A	782XBXC-240A	782XBXM4L-240A
		6 Vdc	40	—	—	782XBXC-6D	—
		12 Vdc	160	782XBXC-12D	782XBXCL-12D	782XBXC-12D	782XBXM4L-12D
		24 Vdc	640	782XBXC-24D	782XBXCL-24D	782XBXC-24D	782XBXM4L-24D
		48 Vdc	2560	782XBXC-48D	782XBXCL-48D	782XBXC-48D	782XBXM4L-48D
110 Vdc	13440	782XBXC-110D	782XBXCL-110D	782XBXC-110D	782XBXM4L-110D		

## Part Number Explanation



# Legacy General Purpose Relays

## 782 Power Series

### DPDT 15 A

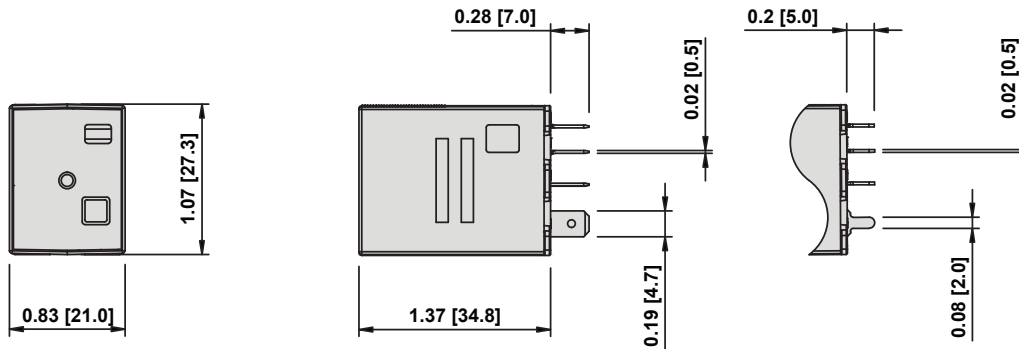
## Specifications

Part Number		782XBXC / CL / M4L	782XBXCT
<b>Contact Characteristics</b>			
Terminal Style		Blade	PC Terminals
Contact Material		Silver Alloy	
Contact Configuration		DPDT	
Carrying Current		15 A	
Maximum Switching Voltage		IEC: 250 Vac / 28 Vdc UL/CSA: 300 Vac / 28 Vdc	
Rated Switching Current at Voltage (Conforming to IEC AC-1 and DC-1)	at 250 Vac	N.O.: 15 A; N.C.: 7.5 A	
	at 28 Vdc	N.O.: 15 A; N.C.: 7.5 A	
Rated Switching Current at Voltage (Conforming to UL)	Resistive	15 A at 277 Vac, 50/60 Hz, 100 k cycles 15 A at 28 Vdc, 100 k cycles	
	Motor	1/2 hp at 120 Vac, 1 k cycles 1 hp at 277 Vac, 1 k cycles	
	Pilot Duty	B300	
Rated Switching Current at Voltage (Conforming to CSA)	Resistive	15 A at 150 Vac, 50/60 Hz, 100 k cycles 10 A at 277 Vac, 50/60 Hz, 100 k cycles 15 A at 28 Vdc, 100 k cycles	
	Motor	1/2 hp at 120 Vac, 1 k cycles 1 hp at 277 Vac, 1 k cycles	
	Pilot Duty	B300	
Minimum Switching Requirement		10 mA at 17 Vdc	
<b>Coil Characteristics</b>			
Maximum Operating Voltage		110% (AC/DC)	
Maximum Pickup Voltage		85% (AC); 80% (DC)	
Drop-out Voltage Threshold		15% (AC); 10% (DC)	
Average Consumption		Standard: 1.1 VA (AC); 0.85 W (DC) With LED: 1.4 VA (AC); 1.15 W (DC)	Standard: 1.1 VA (AC); 0.85 W (DC)
<b>General Characteristics</b>			
Electrical Life at Rated Load		100,000 operations	
Mechanical Life (Unpowered)		10,000,000 operations	
Operating Time (Response Time)		20 ms	
Dielectric Strength	Between Coil and Contact (AC)	2000 V (rms)	
	Between Poles (AC)	2000 V (rms)	
	Between Contacts (AC)	1500 V (rms)	
Ambient Air Temperature Around the Device	Storage	-40 to +85 °C (-40 to +185 °F)	
	Operation	-40 to +55 °C (-40 to +131 °F)	
Vibration Resistance—In Operation		±1 mm (10–35 Hz) and 3 gn (35–150 Hz)	
Shock Resistance		15 gn	
Degree of Protection (Housing Only)		IP40	
Weight		36 g (1.27 oz)	
Agency Approvals		UL with socket, UR (E164862), CE, CSA (LR44087), RoHS	

Note: Actual product performance may vary depending on the application and environmental conditions.

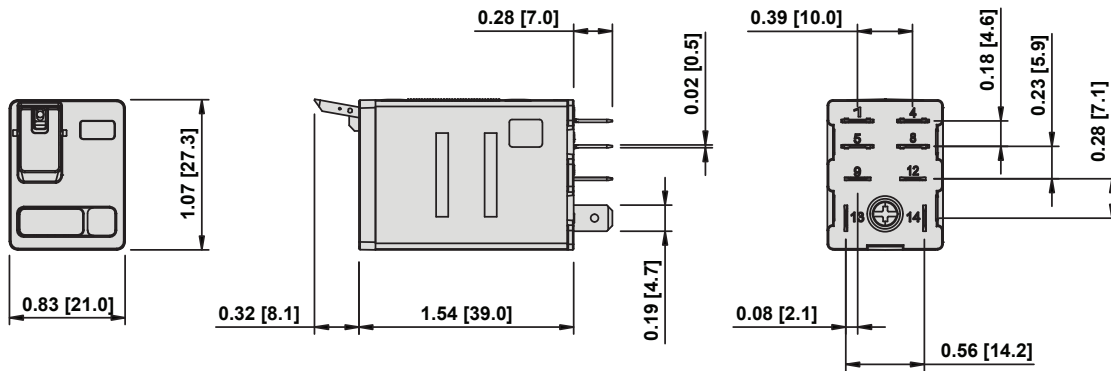
## Dimensions, in. (mm)

### Clear Cover Dimensions

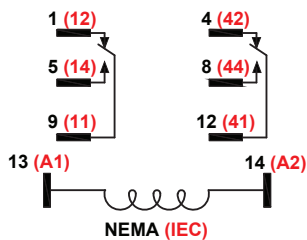


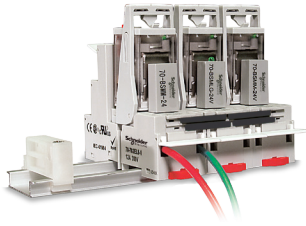
PC Terminals Dimensions

### Full-Feature Cover Dimensions



## Wiring Diagram

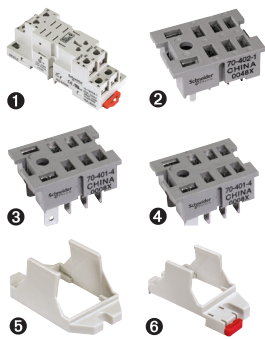




### Description

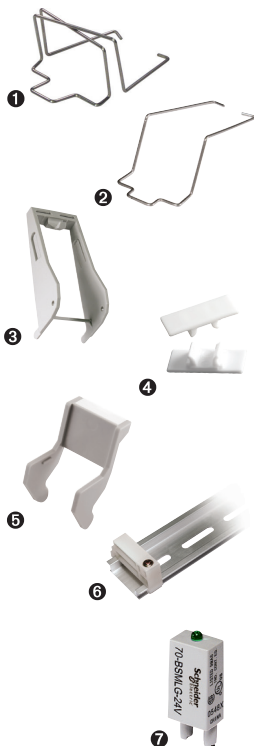
Optional sockets offer customizable solutions including protection modules, hold-down clips, and ID tags. Sockets are finger-safe according to IP20, and compatible with DIN rail or panel mounting.

### Relay Accessories



Description	Function	For Use with Relays	Pkg. Min.	Standard Part Number
Socket 1	DIN or panel mounting with screw terminals and clamping plates	782XBX	10	70-782D8-1A
Socket 2	DIN or panel mounting with screw terminals and clamping plates		10	70-459-1
Socket 3	Quick Connect terminals for chassis mounting		10	70-401-1
Socket 4	Printed circuit terminals for PCB mounting		10	70-402-1
Adapter 5	Direct panel mounting		10	16-782C1
Adapter 6	Direct DIN rail mounting		10	16-782C

### Socket Accessories



Description	Function	For Use with Sockets	Coil Voltage	Pkg. Min.	Standard Part Number
Metal Spring Clip 1 2	Securing the relay in the socket	70-782D8-1A, 70-459-1, 70-401-1, 70-402-1	—	10	16-1342
Plastic Hold-Down Clip 3	Securing the relay in the socket, or ejecting the relay from the socket	70-782D8-1A	—	10	16-782PC-1
Write-on Tag 4	Write-on tag for the 16-782PC-1 hold-down clip	—	—	10	16-700ST-1
Plastic ID Hold-Down Clip 5	Securing the relay in the socket and providing labeling	70-782D8-1A, 70-459-1, 70-401-1, 70-402-1	—	10	16-782IDC
Extruded Aluminum DIN Rail, 1 m (39.37 in.) 6	Quick installation and removal of sockets	70-782D8-1A, 70-459-1	—	10	16-700DIN
DIN Rail End Clip 6	Holding the sockets firmly in place on a DIN rail		—	10	16-DCLIP-1
<b>Small Socket Modules</b>					
Protection Diode	Protecting the external drive circuitry from inductive voltages	70-782D8-1A	6–250 Vdc	10	70-BSMD-250
LED Indicator 7	Providing coil status at a glance		24 Vac/Vdc	10	70-BSMLG-24
MOV Suppressor	Protection from damaging electrical spikes		120 Vac/Vdc	10	70-BSMM-120
			24 Vac/Vdc	10	70-BSMM-24
			240 Vac/Vdc	10	70-BSMM-240

Note: Using an LED socket module can increase the coil power draw by up to 10%.



## Description

# Legacy General Purpose Relays

## 783 Series

### 3PDT 15 A



UL Listed when used with corresponding sockets

## Description

The 783 Series plug-in relays offer clear or full-feature covers with multiple mounting options and accessories.



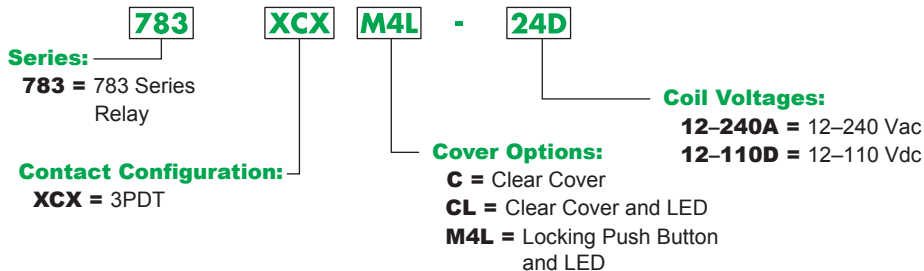
783 Clear Cover

783 Full-Feature Cover

Feature	Benefit
15 A max. switching current	Ideal choice for automation panels and controls
Clear or full-feature cover options	Full-feature covers include an LED indicator and a locking test button
3PDT contact configuration	Simultaneous control of up to three separate circuits
Socket-mounting option	Simplified installation and maintenance; use of protection modules, hold-down clips, and other accessories
Gold-flashed contacts	Reduced contact oxidation and increased shelf life
Mechanical flag indicator (standard)	Display of the relay status during testing or operation

Contact Rating	Contact Configuration	Nominal Voltage	Coil Resistance (Ω)	Standard Part Number		
				Clear Cover	Clear Cover with LED	Full-Feature
15 A	3PDT	12 Vac, 50/60 Hz	30	783XCXC-12A	783XCXCL-12A	783XCXM4L-12A
		24 Vac, 50/60 Hz	110	783XCXC-24A	783XCXCL-24A	783XCXM4L-24A
		48 Vac, 50/60 Hz	460	783XCXC-48A	783XCXCL-48A	783XCXM4L-48A
		120 Vac, 50/60 Hz	2,880	783XCXC-120A	783XCXCL-120A	783XCXM4L-120A
		240 Vac, 50/60 Hz	11,300	783XCXC-240A	783XCXCL-240A	783XCXM4L-240A
		12 Vdc	80	783XCXC-12D	783XCXCL-12D	783XCXM4L-12D
		24 Vdc	320	783XCXC-24D	783XCXCL-24D	783XCXM4L-24D
		48 Vdc	1,280	783XCXC-48D	783XCXCL-48D	783XCXM4L-48D
		110 Vdc	6,720	783XCXC-110D	783XCXCL-110D	783XCXM4L-110D

## Part Number Explanation



For more information, contact customer service (1-847-441-2540).

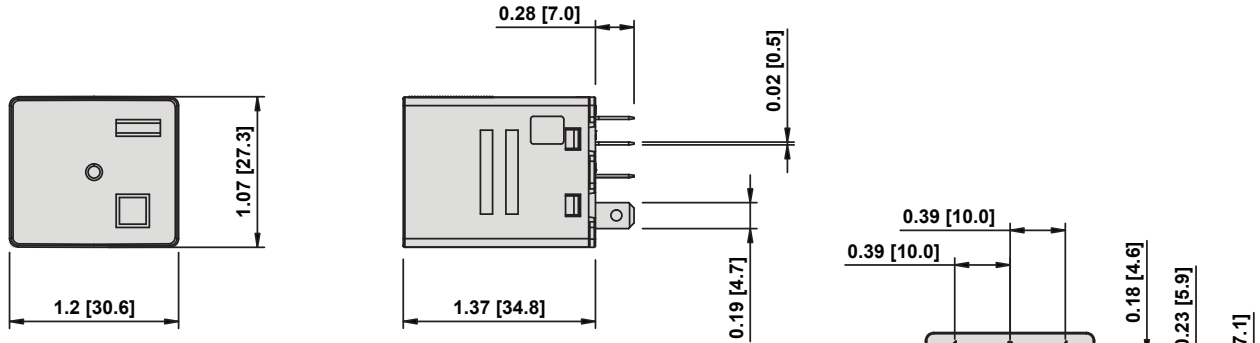
## Specifications

Part Number		783XCX
<b>Contact Characteristics</b>		
Terminal Style		Blade
Contact Material		Silver Alloy
Contact Configuration		3PDT
Carrying Current per Pole		15 A
Maximum Switching Voltage		IEC: 250 Vac / 28 Vdc UL/CSA: 300 Vac / 28 Vdc
Rated Switching Current— Conforming to IEC AC-1 and DC-1	at 250 Vac	N.O.: 15 A; N.C.: 7.5 A
	at 28 Vdc	N.O.: 15 A; N.C.: 7.5 A
Rated Switching Current— Conforming to UL	Resistive	15 A at 277 Vac, 50/60 Hz, 100 k cycles 15 A at 28 Vdc, 100 k cycles
	Motor	1/2 hp at 120 Vac, 1 k cycles 1 hp at 277 Vac, 1 k cycles
	Pilot Duty	B300
Rated Switching Current— Conforming to CSA	Resistive	15 A at 150 Vac, 50/60 Hz, 100 k cycles, 30 A max. total 10 A at 277 Vac, 50/60 Hz, 100 k cycles, 20 A max. total 15 A at 28 Vdc, 100 k cycles, 30 A max. total
	Motor	1/2 hp at 120 Vac, 1 k cycles 1 hp at 277 Vac, 1 k cycles, 2 hp max. total
	Pilot Duty	B300
Minimum Switching Requirement		10 mA at 17 Vdc
<b>Coil Characteristics</b>		
Maximum Operating Voltage		110% (AC/DC)
Maximum Pickup Voltage		85% (AC); 80% (DC)
Drop-out Voltage Threshold		15% (AC); 10% (DC)
Average Consumption		Standard: 1.7 VA (AC); 1.5 W (DC) With LED: 2.05 VA (AC); 1.85 W (DC)
<b>General Characteristics</b>		
Electrical Life at Rated Load		100,000 operations
Mechanical Life (Unpowered)		10,000,000 operations
Operating Time		20 ms
Dielectric Strength	Between Coil and Contact (AC)	2000 V (rms)
	Between Poles (AC)	2000 V (rms)
	Between Contacts (AC)	1500 V (rms)
Ambient Air Temperature Around the Device	Storage	-40 to +85 °C (-40 to +185 °F)
	Operation	-40 to +55 °C (-40 to +131 °F)
Vibration Resistance—In Operation		±1 mm (10–35 Hz) and 3 gn (35–150 Hz)
Shock Resistance		15 gn
Degree of Protection (Housing Only)		IP40
Weight		60 g (2.12 oz)
Agency Approvals		UL with socket, UR (E164862), CE, CSA (LR44087), RoHS

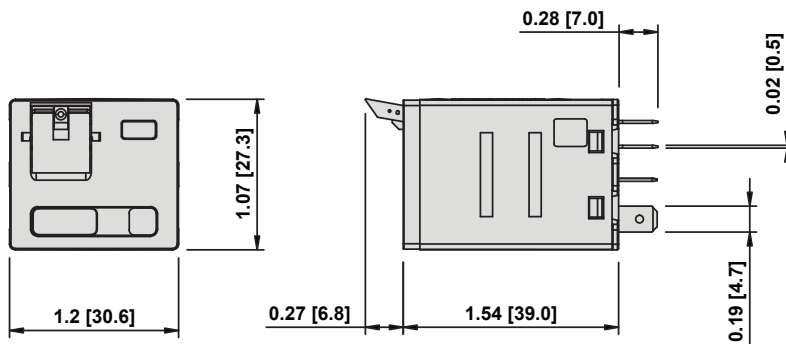
Note: Actual product performance may vary depending on the application and environmental conditions.

## Dimensions, in. (mm)

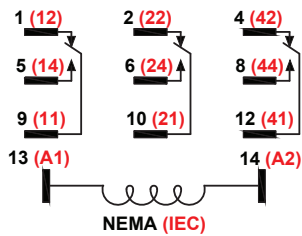
### Clear Cover Dimensions

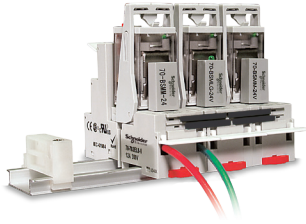


### Full-Feature Cover Dimensions



## Wiring Diagram

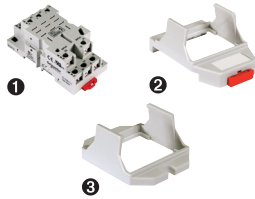




### Description

Optional sockets offer customizable solutions including protection modules, hold-down clips, and ID tags. Sockets are finger-safe according to IP20, and compatible with DIN rail or panel mounting.

### Relay Accessories



Description	Function	For Use with Relays	Pkg. Min.	Standard Part Number
Socket ①	DIN or panel mounting (finger-safe according to IP20), with screw terminals and clamping plates	783XCX	10	70-783D11-1A
Adapter ②	Direct DIN rail mounting		10	16-783C
Adapter ③	Direct panel mounting		10	16-783C1

### Socket Accessories



Description	Function	For Use with Sockets	Coil Voltage	Pkg. Min.	Standard Part Number
Metal Spring Clip ①	Securing the relay in the socket	70-783D11-1A	—	10	16-783SC
Plastic ID Hold-Down Clip ②	Securing the relay in the socket and providing labeling		—	10	16-783IDC
Extruded Aluminum DIN Rail, 1 m (39.37 in.) ③	Quick installation and removal of sockets		—	10	16-700DIN
DIN Rail End Clip ③	Holding the sockets firmly in place on a DIN rail	—	—	10	16-DCLIP-1
<b>Large Socket Module</b>					
MOV Suppressor	Protection from damaging electrical spikes	70-783D11-1A	24 Vac/Vdc	10	70-ASMM-24
Protection Diode	Protecting the external drive circuitry from inductive voltages		250 Vdc	10	70-ASMD-250
LED Indicator ④	Providing coil status at a glance		110/240 Vac/Vdc	10	70-ASMLG-110/240
RC Suppressor	Snubbing back the EMF of the relay coil		110/240 Vac	10	70-ASMR-110/240

Note: Using an LED or RC socket module can increase the coil power draw by up to 10%.

## Description

# Legacy General Purpose Relays

## 784 Series

### 4PDT 15 A



UL Listed when used with corresponding sockets



784 Clear Cover



784 Full-Feature Cover

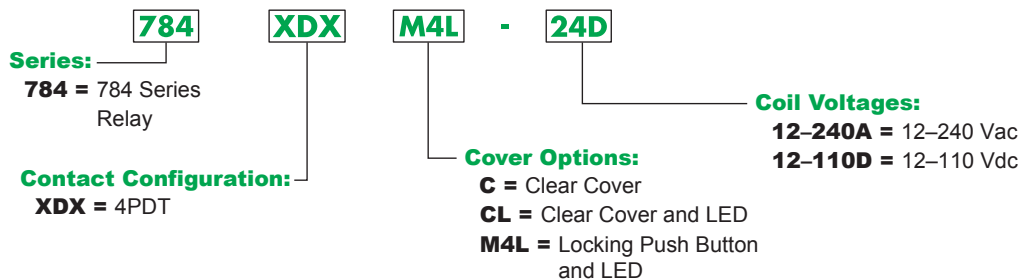
## Description

The 784 Series plug-in relays offer clear or full-feature covers with multiple mounting options and accessories.

Feature	Benefit
15 A max. switching current	Ideal choice for automation panels and controls
Clear or full-feature cover options	Full-feature covers include an LED indicator and a locking test button
4PDT contact configuration	Simultaneous control of up to 4 separate circuits
Socket-mounting option	Simplified installation and maintenance; use of protection modules, hold-down clips, and other accessories
Gold-flashed contacts	Reduced contact oxidation and increased shelf life
Mechanical flag indicator (standard)	Display of the relay status during testing or operation

Contact Rating	Contact Configuration	Nominal Voltage	Coil Resistance (Ω)	Standard Part Number		
				Clear Cover	Clear Cover with LED	Full-Feature
15 A	3PDT	12 Vac, 50/60 Hz	20	784DXC-12A	784DXCL-12A	784DXM4L-12A
		24 Vac, 50/60 Hz	80	784DXC-24A	784DXCL-24A	784DXM4L-24A
		48 Vac, 50/60 Hz	310	784DXC-48A	784DXCL-48A	784DXM4L-48A
		120 Vac, 50/60 Hz	2100	784DXC-120A	784DXCL-120A	784DXM4L-120A
		240 Vac, 50/60 Hz	8000	784DXC-240A	784DXCL-240A	784DXM4L-240A
		12 Vdc	76	784DXC-12D	784DXCL-12D	784DXM4L-12D
		24 Vdc	303	784DXC-24D	784DXCL-24D	784DXM4L-24D
		48 Vdc	1210	784DXC-48D	784DXCL-48D	784DXM4L-48D
		110 Vdc	6370	784DXC-110D	784DXCL-110D	784DXM4L-110D

## Part Number Explanation



For more information, contact Customer Service (1-847-441-2540).

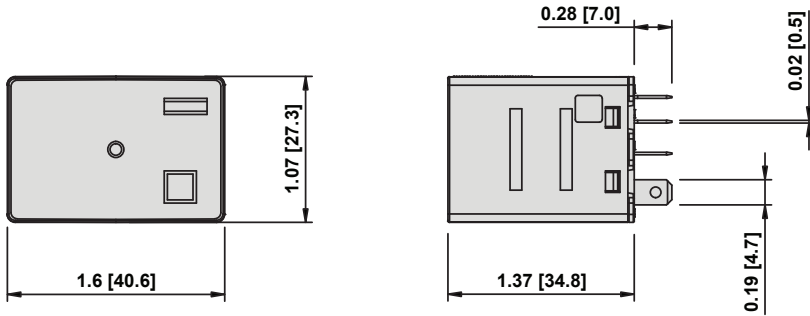
## Specifications

Part Number		784XDX
<b>Contact Characteristics</b>		
Terminal Style		Blade
Contact Material		Silver Alloy
Contact Configuration		4PDT
Carrying Current per Pole		15 A
Maximum Switching Voltage		IEC: 250 Vac / 28 Vdc UL/CSA: 300 Vac / 28 Vdc
Rated Switching Current (Conforming to IEC AC-1 and DC-1)	at 250 Vac	N.O.: 15 A; N.C.: 7.5 A
	at 28 Vdc	N.O.: 15 A; N.C.: 7.5 A
Rated Switching Current (Conforming to UL)	Resistive	15 A at 277 Vac, 50/60 Hz, 100 k cycles 15 A at 28 Vdc, 100 k cycles
	Motor	1/2 hp at 120 Vac, 1 k cycles 1 hp at 277 Vac, 1 k cycles
	Pilot Duty	B300
Rated Switching Current (Conforming to CSA)	Resistive	15 A at 150 Vac, 50/60 Hz, 100 k cycles, 30 A max. total 10 A at 277 Vac, 50/60 Hz, 100 k cycles, 20 A max. total 15 A at 28 Vdc, 100 k cycles, 30 A max. total
	Motor	1/2 hp at 120 Vac, 1 k cycles 1 hp at 277 Vac, 1 k cycles, 2 hp max. total
	Pilot Duty	B300
Minimum Switching Requirement		10 mA at 17 Vdc
<b>Coil Characteristics</b>		
Maximum Operating Voltage		110% (AC/DC)
Maximum Pickup Voltage		85% (AC); 80% (DC)
Drop-out Voltage Threshold		15% (AC); 10% (DC)
Average Consumption		Standard: 2.5 VA (AC); 1.6 W (DC) With LED: 2.85 VA (AC); 1.95 W (DC)
<b>General Characteristics</b>		
Electrical Life at Rated Load		100,000 operations
Mechanical Life (Unpowered)		10,000,000 operations
Operating Time		20 ms
Dielectric Strength	Between Coil and Contact (AC)	2000 V (rms)
	Between Poles (AC)	2000 V (rms)
	Between Contacts (AC)	1500 V (rms)
Ambient Air Temperature Around the Device	Storage	-40 to +85 °C (-40 to +185 °F)
	Operation	-40 to +55 °C (-40 to +131 °F)
Vibration Resistance—In Operation		±1 mm (10–35 Hz) and 3 gn (35–150 Hz)
Shock Resistance		15 gn
Degree of Protection (Housing Only)		IP40
Weight		80 g (2.82 oz)
Agency Approvals		UL with socket, UR (E164862), CE, CSA (LR44087), RoHS

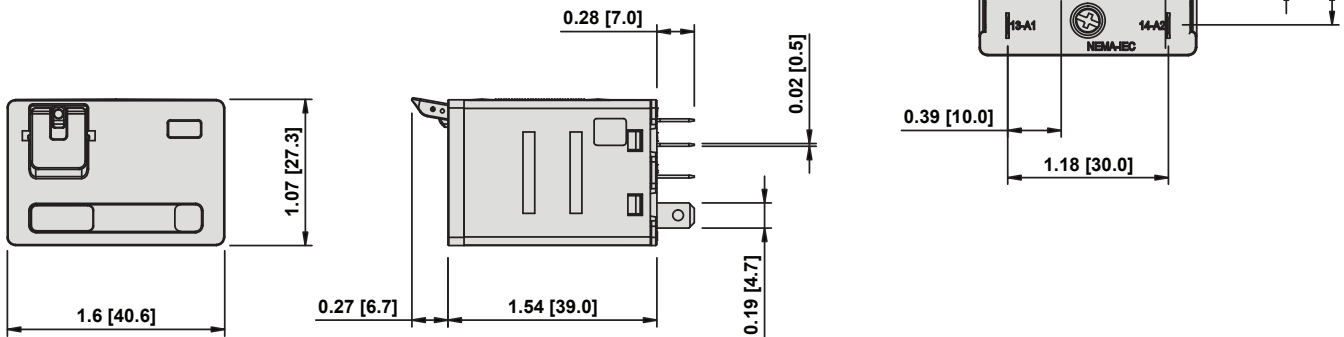
Note: Actual product performance may vary depending on the application and environmental conditions.

## Dimensions, in. (mm)

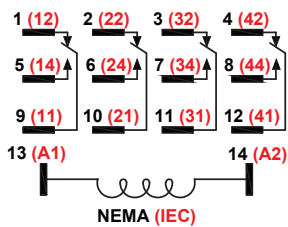
### Clear Cover Dimensions



### Full-Feature Cover Dimensions

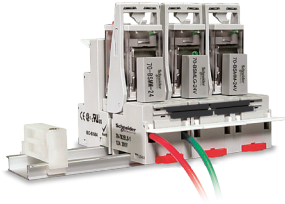


## Wiring Diagram



# Legacy General Purpose Relays

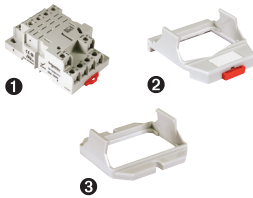
## 784 Series Accessories



### Description

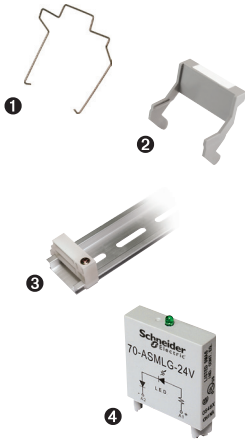
Optional sockets offer customizable solutions including protection modules, hold-down clips, and ID tags. Sockets are finger-safe according to IP20, and compatible with DIN rail or panel mounting.

### Relay Accessories



Description	Function	For Use with Relays	Pkg. Min.	Standard Part Number
Socket ①	DIN or panel mounting (finger-safe according to IP20) with screw terminals and clamping plates	784XDX	10	70-784D14-1
Adapter ②	DIN rail adapter		10	16-784C
Adapter ③	Flange mount adapter		10	16-784C1

### Socket Accessories



Description	Function	For Use with Socket	Coil Voltage	Pkg. Min.	Standard Part Number
Metal Spring Clip ①	Securing the relay in the socket	70-784D14-1	—	10	16-784SC
Plastic ID Hold-Down Clip ②	Securing the relay in the socket and providing labeling		—	10	16-784IDC
Extruded Aluminum DIN Rail, 1 m (39.37 in.) ③	Quick installation and removal of the sockets		—	10	16-700DIN
DIN Rail End Clip ④	Holding the sockets firmly in place on a DIN rail	—	—	10	16-DCLIP-1
<b>Large Socket Module</b>					
MOV Suppressor	Protection from damaging electrical spikes	70-784D14-1	24 Vac/Vdc	10	70-ASMM-24
Protection Diode	Protecting the external drive circuitry from inductive voltages		250 Vdc	10	70-ASMD-250
LED Indicator ④	Providing coil status at a glance		110/240 Vac/Vdc	10	70-ASMLG-110/240
RC Suppressor	Snubbing back the EMF of the relay coil		110/240 Vac	10	70-ASMR-110/240

Note: Using an LED or an RC socket module can increase the coil power draw by up to 10%.



## Description

# Legacy General Purpose Relays

## 750R Series

DPDT and 3DPT, 10 A



UL Listed when used with corresponding sockets



750R Clear Cover



750R Full-Feature Cover

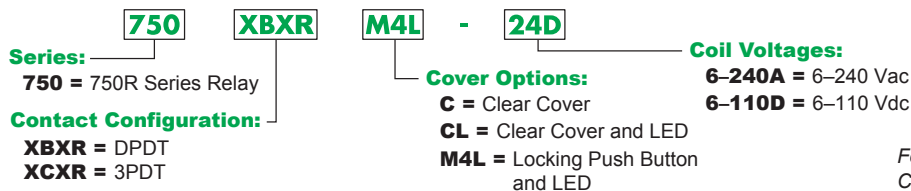
## Description

The 750R series octal base, plug-in relays offer clear or full-feature covers with multiple mounting options and accessories.

Feature	Benefit
Octal style mounting	Robust and historically proven mounting platform that provides excellent structural support
10 A max. switching current	Ideal choice for automation panels and controls
Clear or full-feature cover options	Full-feature covers include an LED indicator and a locking test button
DPDT and 3PDT contact configurations	Simultaneous control of separate circuits
Socket-mounting option	Simplified installation and maintenance; use of protection modules, hold-down clips, and other accessories
Gold-flashed contacts	Reduced contact oxidation and increased shelf life
Mechanical flag indicator (standard)	Display of the relay status during testing or operation

Contact Rating	Contact Configuration	Nominal Voltage	Coil Resistance (Ω)	Standard Part Number		
				Clear Cover	Clear Cover with LED	Full-Feature
10 A	DPDT	6 Vac, 50/60 Hz	3.9	750XBXRC-6A	—	—
		12 Vac, 50/60 Hz	16.9	750XBXRC-12A	750XBXRCL-12A	750XBXRM4L-12A
		24 Vac, 50/60 Hz	72	750XBXRC-24A	750XBXRCL-24A	750XBXRM4L-24A
		48 Vac, 50/60 Hz	290	—	—	750XBXRM4L-48A
		120 Vac, 50/60 Hz	1700	750XBXRC-120A	750XBXRCL-120A	750XBXRM4L-120A
		240 Vac, 50/60 Hz	6800	750XBXRC-240A	750XBXRCL-240A	750XBXRM4L-240A
		6 Vdc	3.9	750XBXRC-6D	—	750XBXRM4L-6D
		12 Vdc	120	750XBXRC-12D	750XBXRCL-12D	750XBXRM4L-12D
		24 Vdc	470	750XBXRC-24D	750XBXRCL-24D	750XBXRM4L-24D
	3PDT	48 Vdc	1800	750XBXRC-48D	750XBXRCL-48D	750XBXRM4L-48D
		110 Vdc	7300	750XBXRC-110D	750XBXRCL-110D	750XBXRM4L-110D
		24 Vac, 50/60 Hz	72	750XCXRC-24A	750XCXRCL-24A	750XCXRM4L-24A
		48 Vac, 50/60 Hz	290	—	—	750XCXRM4L-48A
		120 Vac, 50/60 Hz	1700	750XCXRC-120A	750XCXRCL-120A	750XCXRM4L-120A
		240 Vac, 50/60 Hz	6800	750XCXRC-240A	750XCXRCL-240A	750XCXRM4L-240A
		12 Vdc	120	750XCXRC-12D	750XCXRCL-12D	750XCXRM4L-12D
		24 Vdc	470	750XCXRC-24D	750XCXRCL-24D	750XCXRM4L-24D
		48 Vdc	1800	750XCXRC-48D	750XCXRCL-48D	750XCXRM4L-48D
110 Vdc	7300	750XCXRC-110D	750XCXRCL-110D	750XCXRM4L-110D		

### Part Number Explanation



For more information, contact  
Customer Service (1-847-441-2540).

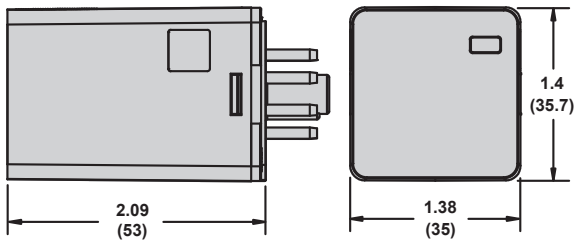
## Specifications

Part Number		750XBXR	750XCXR
<b>Contact Characteristics</b>			
Terminal Style		Octal	Octal
Contact Material		Silver Alloy	Silver Alloy
Contact Configuration		DPDT	3PDT
Carrying Current		10 A	10 A
Maximum Switching Voltage		IEC: 250 Vac / 28 Vdc UL/CSA: 300 Vac / 30 Vdc	IEC: 250 Vac / 28 Vdc UL/CSA: 300 Vac / 30 Vdc
Rated Switching Current (Conforming to IEC AC-1 and DC-1)		N.O.: 10 A at 250 Vac / 28 Vdc N.C.: 5 A at 250 Vac / 28 Vdc	N.O.: 10 A at 250 Vac / 28 Vdc N.C.: 5 A at 250 Vac / 28 Vdc
Rated Switching Current (Conforming to UL)	Resistive	10 A at 277 Vac, 50/60 Hz, 200 k cycles 10 A at 30 Vdc, 200 k cycles	10 A at 277 Vac, 50/60 Hz, 200 k cycles 10 A at 30 Vdc, 200 k cycles
	Motor	1/3 hp at 120 Vac, 6 k cycles 1 hp at 277 Vac, 6 k cycles	1/3 hp at 120 Vac, 6 k cycles 1 hp at 277 Vac, 6 k cycles
	Pilot Duty	B300, 6 k cycles	B300, 6 k cycles
Minimum Switching Requirement		10 mA at 17 Vdc	10 mA at 17 Vdc
<b>Coil Characteristics</b>			
Maximum Operating Voltage		110% (AC/DC)	
Maximum Pickup Voltage		85% (AC); 80% (DC)	
Drop-out Voltage Threshold		15% (AC); 10% (DC)	
Average Consumption		3 VA (AC); 1.4 W (DC)	
<b>General Characteristics</b>			
Electrical Life at Rated Load		100,000 operations	
Mechanical Life		5,000,000 operations	
Operating Time		20 ms	
Dielectric Strength	Between Coil and Contact (AC)	2500 V (rms)	
	Between Poles (AC)	2000 V (rms)	
	Between Contacts (AC)	1500 V (rms)	
Ambient Air Temperature Around the Device	Storage	-40 to +85 °C (-40 to +185°F)	
	Operation	-40 to +55 °C (-40 to +131°F)	
Vibration Resistance—In Operation		±1 mm (10–35 Hz) and 3 gn (35–150 Hz)	
Shock Resistance		10 gn	
Degree of Protection (Housing Only)		IP40	
Weight		83 g (2.93 oz)	
Agency Approvals		UL with socket, UR (E164862), CE, CSA (LR44087), RoHS	

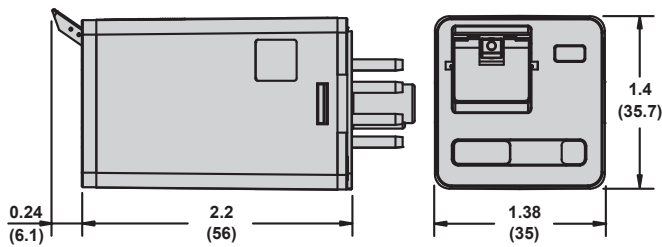
Note: Actual product performance may vary depending on the application and environmental conditions.

## Dimensions, in. (mm)

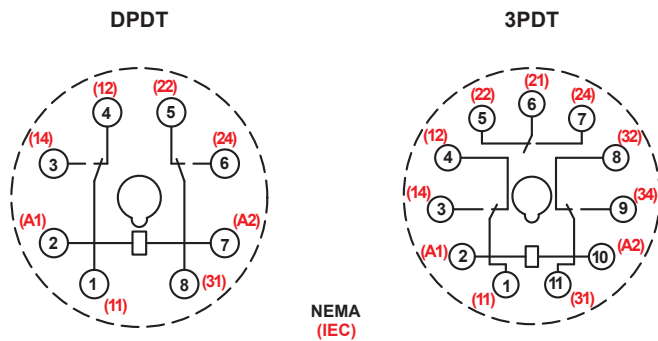
### Clear Cover Dimensions



### Full-Feature Cover Dimensions

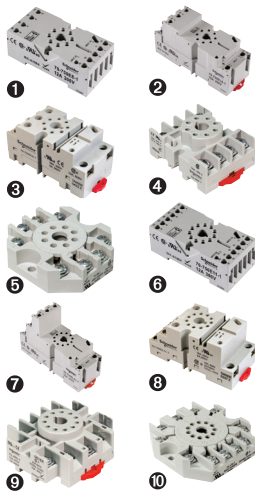
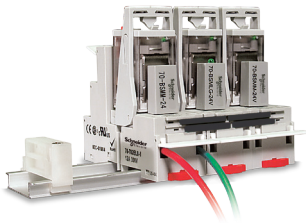


## Wiring Diagrams



# Legacy General Purpose Relays

## 750R Series Accessories



### Description

Optional sockets offer customizable solutions including protection modules, hold-down clips, and ID tags. Sockets are finger-safe according to IP20, and compatible with DIN rail or panel mounting.

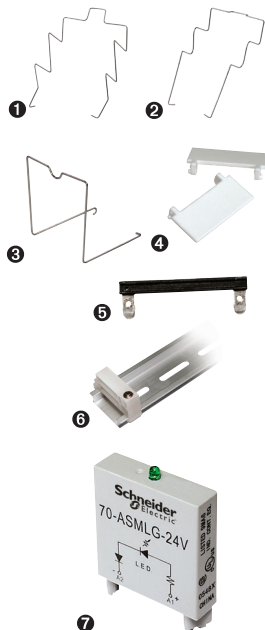
### Relay Accessories

Description	Function	For Use with Relays	Pkg. Min.	Standard Part Number
Socket 1	DIN or panel mounting, module compatible	750XBXR	10	70-750E8-1
Socket 2	DIN or panel mounting with elevator terminals, module compatible		10	70-750EL8-1
Socket 3	DIN or panel mounting, module compatible		10	70-750DL8-1
Socket 4	DIN or panel mounting with screw terminals and clamping plates		10	70-464-1
Socket 5	Panel mounting with screw terminals and clamping plates		10	70-169-1
Socket 6	DIN or panel mounting with elevator terminals, module compatible	750XCXR	10	70-750E11-1
Socket 7	DIN or panel mounting with elevator terminals		10	70-750EL11-1
Socket 8	DIN or panel mounting, module compatible		10	70-750DL11-1
Socket 9	DIN or panel mounting with screw terminals and clamping plates		10	70-465-1
Socket 10	Panel mounting with screw terminals and clamping plates		10	70-170-1

### Socket Accessories

Description	Function	For Use with Sockets	Coil Voltage	Pkg. Min.	Standard Part Number
Metal Spring Clip 1	Securing the relay in the socket	70-750EL8-1, 70-750E8-1, 70-750E11-1, 70-464-1	—	10	16-1351
Metal Spring Clip 2	Securing the relay in the socket	70-750E8-1, 70-750DL8-1, 70-750E11-1, 70-464-1	—	10	16-1344
Metal Spring Clip 3	Securing the relay in the socket	70-750DL8-1	—	10	16-1332
Plastic ID Tag 4	Write-on plastic labels	70-750E8-1, 70-750EL8-1, 70-750DL8-1, 70-750E11-1, 70-750EL11, 70-750DL11-1	—	10	16-750/788FT-1
Insulated Coil Bus Jumper System 5	Wireless socket connection		—	10	16-750/788CBJ-1
Extruded Aluminum DIN Rail, 1 m (39.37 in.) 6	Quick installation and removal of sockets	70-750EL8-1, 70-750E8-1, 70-750DL8-1, 70-750E11-1, 70-464-1, 70-465-1	—	10	16-700DIN
DIN Rail End Clip 6	Plastic end clip with locking screw	—	—	10	16-DCLIP-1
<b>Large Socket Modules</b>					
MOV Suppressor	Protection from damaging electrical spikes	70-750E8-1, 70-750EL8-1, 70-750DL8-1, 70-750E11-1, 70-750EL11-1, 70-750DL11-1	24 Vac/Vdc	10	70-ASMM-24
Protection Diode	Protecting the external drive circuitry from inductive voltages		250 Vdc	10	70-ASMD-250
LED Indicator 7	Providing coil status at a glance		110/240 Vac/Vdc	10	70-ASMLG-110/240
RC Suppressor	Snubbing back the EMF of the relay coil		110/240 Vac	10	70-ASMR-110/240

Note: Using an LED or RC socket module can increase the coil power draw by up to 10%.



# Description

# Legacy General Purpose Relays

## 788R Series

### DPDT and 3PDT 10 A



7885 Clear Cover



7885 Full-Feature Cover

## Description

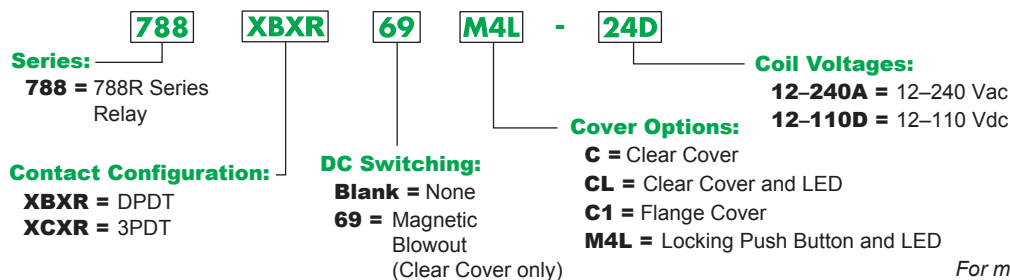
The 788R Series square base, plug-in relays offer clear, full-feature, top flange, and side flange covers as well as optional sockets and accessories.

Feature	Benefit
10 A max. switching current	Ideal choice for automation panels and controls
Clear or full-feature cover options	Full-feature covers include an LED indicator and a locking test button
DPDT and 3PDT contact configurations	Simultaneous control of separate circuits
Socket-mounting option	Simplified installation and maintenance; use of protection modules, hold-down clips, and other accessories
Gold-flashed contacts	Reduced contact oxidation and increased shelf life
Mechanical flag indicator (standard)	Display of the relay status during testing or operation

Contact Rating	Contact Configuration	Nominal Voltage	Coil Resistance (Ω)	Standard Part Number			
				Clear Cover	Clear Cover with LED	Flange Mount	Full-Feature
10 A	DPDT	24 Vac, 50/60 Hz	72	788XBXRC-24A	788XBXRCL-24A	788XBXRC1-24A	788XBXRM4L-24A
		48 Vac, 50/60 Hz	290	—	—	—	788XBXRM4L-48A
		120 Vac, 50/60 Hz	1700	788XBXRC-120A	788XBXRCL-120A	788XBXRC1-120A	788XBXRM4L-120A
		240 Vac, 50/60 Hz	6800	788XBXRC-240A	788XBXRCL-240A	788XBXRC1-240A	788XBXRM4L-240A
		12 Vdc	120	788XBXRC-12D	788XBXRCL-12D	788XBXRC1-12D	788XBXRM4L-12D
		24 Vdc	470	788XBXRC-24D	788XBXRCL-24D	788XBXRC1-24D	788XBXRM4L-24D
		48 Vdc	1800	788XBXRC-48D	788XBXRCL-48D	788XBXRC1-48D	788XBXRM4L-48D
	110 Vdc	7300	788XBXRC-110D	788XBXRCL-110D	788XBXRC1-110D	788XBXRM4L-110D	
	3PDT	12 Vac, 50/60 Hz	16.9	788XCXRC-12A	—	—	—
		24 Vac, 50/60 Hz	72	788XCXRC-24A	788XCXRCL-24A	788XCXRC1-24A	788XCXRM4L-24A
		48 Vac, 50/60 Hz	290	—	—	—	788XCXRM4L-48A
		120 Vac, 50/60 Hz	1700	788XCXRC-120A	788XCXRCL-120A	788XCXRC1-120A	788XCXRM4L-120A
		240 Vac, 50/60 Hz	6800	788XCXRC-240A	788XCXRCL-240A	788XCXRC1-240A	788XCXRM4L-240A
		12 Vdc	120	788XCXRC-12D	788XCXRCL-12D	788XCXRC1-12D	788XCXRM4L-12D
24 Vdc		470	788XCXRC-24D	788XCXRCL-24D	788XCXRC1-24D	788XCXRM4L-24D	
48 Vdc	1800	788XCXRC-48D	788XCXRCL-48D	788XCXRC1-48D	788XCXRM4L-48D		
110 Vdc	7300	788XCXRC-110D	788XCXRCL-110D	788XCXRC1-110D	788XCXRM4L-110D		

Note: Magnetic blowout versions are also available with an added contact rating of 3 A at 150 Vdc. Refer to the Part Number Explanation shown below.

## Part Number Explanation



For more information, contact Customer Service (1-847-441-2540).

# Legacy General Purpose Relays

788R Series

DPDT and 3PDT 10 A

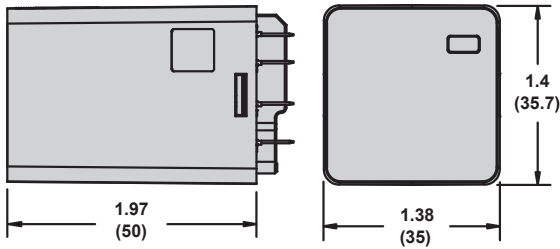
## Specifications

Part Number		788XBXR	788XCXR
<b>Contact Characteristics</b>			
Terminal Style		Blade	Blade
Contact Material		Silver Alloy	Silver Alloy
Contact Configuration		DPDT	3PDT
Carrying Current		10 A	10 A
Maximum Switching Voltage		IEC: 250 Vac / 28 Vdc UL/CSA: 300 Vac / 30 Vdc	IEC: 250 Vac / 28 Vdc UL/CSA: 300 Vac / 30 Vdc
Rated Switching Current (Conforming to IEC AC-1 and DC-1)		N.O.: 10 A at 250 Vac / 28 Vdc N.C.: 5 A at 250 Vac / 28 Vdc	N.O.: 10 A at 250 Vac / 28 Vdc N.C.: 5 A at 250 Vac / 28 Vdc
Rated Switching Current (Conforming to UL)	Resistive	10 A at 277 Vac, 50/60 Hz, 200 k cycles 10 A at 30 Vdc, 200 k cycles	10 A at 277 Vac, 50/60 Hz, 200 k cycles 10 A at 30 Vdc, 200 k cycles
	Motor	1/3 hp at 120 Vac, 6 k cycles 1 hp at 277 Vac, 6 k cycles	1/3 hp at 120 Vac, 6 k cycles 1 hp at 277 Vac, 6 k cycles
	Pilot Duty	B300, 6 k cycles	B300, 6 k cycles
Rated Current with Magnetic Blowout (Code 69)		UL: 3 A at 150 Vdc (DPDT only), 6 k cycles	UL: 3 A at 150 Vdc (DPDT only), 6 k cycles
Minimum Switching Requirement		10 mA at 17 Vdc	10 mA at 17 Vdc
<b>Coil Characteristics</b>			
Maximum Operating Voltage		110% (AC/DC)	110% (AC/DC)
Maximum Pickup Voltage		85% (AC); 80% (DC)	85% (AC); 80% (DC)
Drop-out Voltage Threshold		15% (AC); 10% (DC)	15% (AC); 10% (DC)
Average Consumption		3 VA (AC); 1.4 W (DC)	3 VA (AC); 1.4 W (DC)
<b>General Characteristics</b>			
Electrical Life at Rated Load		100,000 operations	100,000 operations
Mechanical Life (Unpowered)		5,000,000 operations	5,000,000 operations
Operating Time		20 ms	20 ms
Dielectric Strength	Between Coil and Contact (AC)	2500 V (rms)	2500 V (rms)
	Between Poles (AC)	2000 V (rms)	2000 V (rms)
	Between Open Contacts (AC)	1500 V (rms)	1500 V (rms)
Ambient Air Temperature Around the Device	Storage	-40 to +85 °C (-40 to +185 °F)	-40 to +85 °C (-40 to +185 °F)
	Operation	-40 to +55 °C (-40 to +131 °F)	-40 to +55 °C (-40 to +131 °F)
Vibration Resistance—In Operation		±1 mm (10–35 Hz) and 3 gn (35–150 Hz)	±1 mm (10–35 Hz) and 3 gn (35–150 Hz)
Shock Resistance		10 gn	10 gn
Degree of Protection (Housing Only)		IP40	IP40
Weight		83 g (2.93 oz)	83 g (2.93 oz)
Agency Approvals		UL with socket, UR (E164862), CE, CSA (LR44087), RoHS	UL with socket, UR (E164862), CE, CSA (LR44087), RoHS

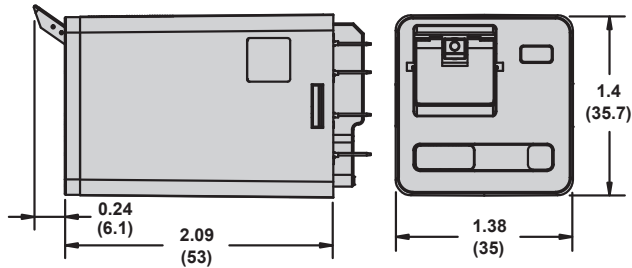
Note: Actual product performance may vary depending on the application and environmental conditions.

## Dimensions, in. (mm)

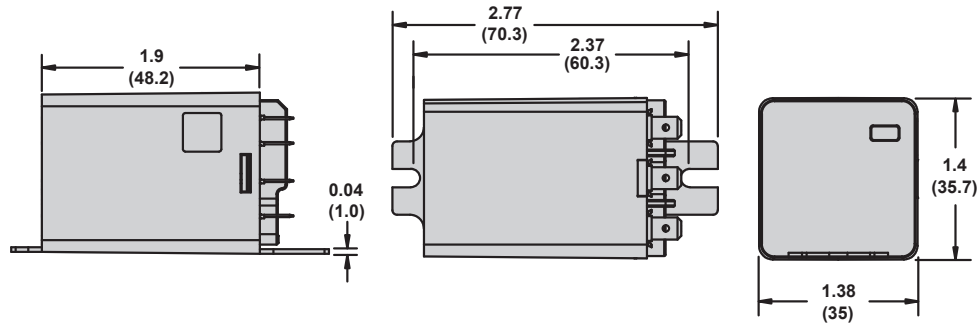
### Clear Cover Dimensions



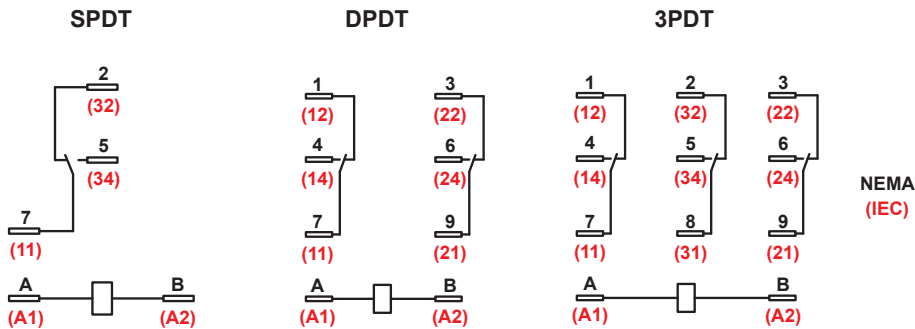
### Full-Feature Cover Dimensions



### Side Flange Cover Dimensions

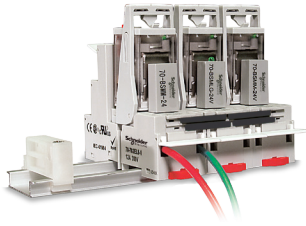


## Wiring Diagrams



# Legacy General Purpose Relays

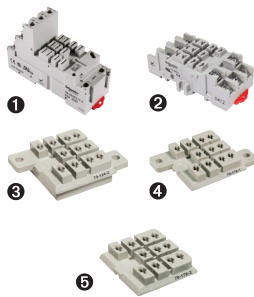
## 788R Series Accessories



### Description

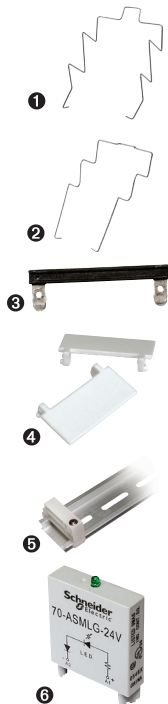
Optional sockets offer customizable solutions including protection modules, hold-down clips, and ID tags. Sockets are finger-safe according to IP20, and compatible with DIN rail or panel mounting.

### Relay Accessories



Description	Function	For Use with Relays	Pkg. Min.	Standard Part Number
Socket 1	DIN mounting with elevator terminals	788XBXR/ XCXR	10	70-788EL11-1
Socket 2	DIN or panel mounting with screw terminals and clamping plates		10	70-463-1
Socket 3	0.187 in. Quick Connect terminals with mounting tabs		10	70-124-2
Socket 4	Printed circuit terminals—with mounting tabs		10	70-178-1
Socket 5	Printed circuit terminals—without mounting tabs		10	70-178-2

### Socket Accessories



Description	Function	For Use with Sockets	Coil Voltage	Pkg. Min.	Standard Part Number
Metal Spring Clip 1	Securing the relay in the socket	70-788EL11-1, 70-463-1, 70-124-1, 70-178-1, 70-178-2	—	10	16-1351
Metal Spring Clip 2	Securing the relay in the socket	70-463-1	—	10	16-1344
Insulated Coil Bus Jumper System 3	Wireless socket connection	70-788EL11-1	—	10	16-750/788CBJ-1
Plastic ID Tag 4	Write-on plastic labels		—	10	16-750/788FT-1
Extruded Aluminum DIN Rail, 1 m (39.37 in.) 5	Quick installation and removal of sockets	70-788EL11-1, 70-463-1	—	10	16-700DIN
DIN Rail End Clip 6	Holding the sockets firmly in place on a DIN rail	—	—	10	16-DCLIP-1
<b>Large Socket Module</b>					
MOV Suppressor	Protection from damaging electrical spikes	70-788EL11-1	24 Vac/Vdc	10	70-ASMM-24
Protection Diode	Protecting the external drive circuitry from inductive voltages		250 Vdc	10	70-ASMD-250
LED Indicator 6	Providing coil status at a glance		110/240 Vac/Vdc	10	70-ASMLG-110/240
RC Suppressor	Snubbing back the EMF of the relay coil		110/240 Vac	10	70-ASMR-110/240

Note: Using an LED or RC socket module can increase the coil power draw by up to 10%.



## Description

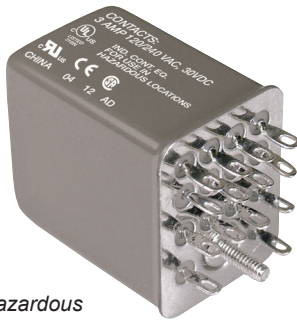
# Legacy General Purpose Relays

## 782H Hazardous Location Series

### 4PDT 3 A and 5 A



UL Listed when used with corresponding sockets



782H Hazardous Location Relay

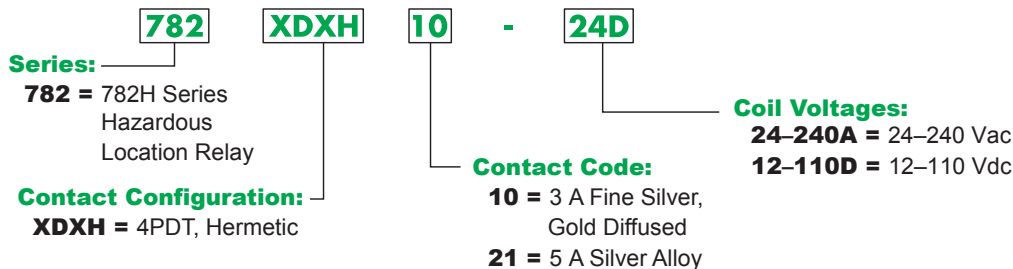
## Description

The hermetically sealed 782H Series relays comply with UL Class I Division 2 requirements for use in hazardous locations.

Feature	Benefit
Hermetically sealed	Compliance with UL Class I Division 2 for Hazardous Locations Groups A, B, C, and D; sealed for wash down conditions
3 A / 5 A max. switching current	Ideal choice for automation and control applications
4PDT contact configuration	Simultaneous control of up to 4 separate circuits
Screw-mounting options	Direct mounting
Socket-mounting option	Simplified installation and maintenance; use of protection modules, hold-down clips, and other accessories
Gold-flashed contacts	Reduced contact oxidation and increased shelf life

Contact Rating	Contact Configuration	Nominal Voltage	Coil Resistance ( $\Omega$ )	Standard Part Number
3 A	4PDT	120 Vac, 50/60 Hz	3,900	782DXH10-120A
		12 Vdc	160	782DXH10-12D
		24 Vdc	650	782DXH10-24D
		110 Vdc	11,000	782DXH10-110D
5 A	4PDT	120 Vac, 50/60 Hz	3,900	782DXH21-120A
		12 Vdc	160	782DXH21-12D
		24 Vdc	650	782DXH21-24D

## Part Number Explanation



For more information, contact Customer Service (1-847-441-2540).

# Legacy General Purpose Relays

## 782H Hazardous Location Series

### 4PDT 3 A and 5 A

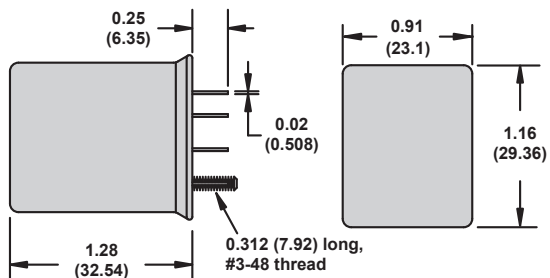
## Specifications

Part Number	782XDXH21	782XDXH10
<b>Contact Characteristics</b>		
Terminal Style	Blade	Blade
Contact Material	Silver Alloy	Fine Silver
Load Type	Standard	Low Level
Contact Configuration	4PDT	4PDT
Carrying Current	5 A	3 A
Maximum Switching Voltage	300 V	300 V
Rated Switching Current (Conforming to IEC AC-1)	5 A at 240 Vac (N.O. or N.C. Only)	3 A at 240 Vac (N.O. or N.C. Only)
Rated Switching Current (Conforming to UL and ANSI/ISA 12.12.01)	Resistive	5 A at 120 Vac, 50/60 Hz, 100 k cycles 5 A at 240 Vac, 50/60 Hz, 100 k cycles 5 A at 30 Vdc, 100 k cycles
	Motor	—
Minimum Switching Requirement	100 mA at 5 Vdc	10 mA at 5 Vdc
<b>Coil Characteristics</b>		
Maximum Operating Voltage	110% (AC/DC)	
Maximum Pickup Voltage	80% (AC); 75% (DC)	
Drop-out Voltage Threshold	30% (AC); 10% (DC)	
Average Consumption	1.2 VA (AC); 0.9 W (DC)	
<b>General Characteristics</b>		
Electrical Life at Rated Load	100,000 operations	
Mechanical Life (Unpowered)	10,000,000 operations	
Operating Time	20 ms	
Dielectric Strength	Between Coil and Contact (AC)	1600 V (rms)
	Between Poles (AC)	1600 V (rms)
Ambient Air Temperature Around the Device	Storage	-60 to +85 °C (-76 to +185 °F)
	Operation	-45 to +70 °C (-49 to +158 °F)
Temperature Code for Hazardous Locations	T5: AC coil +40 °C (+40 °F), DC coil +70 °C (+158 °F)	
Vibration Resistance—In Operation	6 gn at 10–55 Hz	
Shock Resistance	10 gn	
Degree of Protection	Hermetically sealed	
Weight	45 g (1.59 oz)	
Agency Approvals	UL with socket, UR (E209950), CE, CSA (LR40787), RoHS	

Note: Actual product performance may vary depending on the application and environmental conditions.

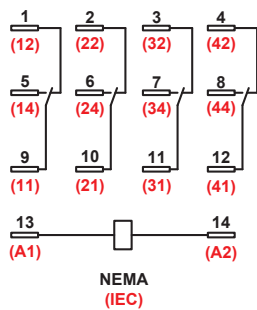
### Dimensions, in. (mm)

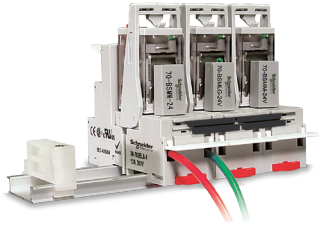
782H



### Wiring Diagrams

4PDT

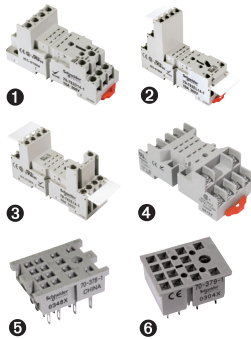




### Description

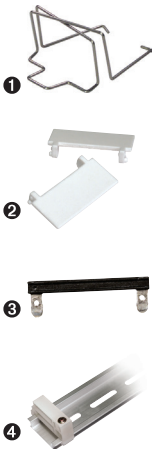
Optional sockets offer customizable solutions including protection modules, hold-down clips, and ID tags. Sockets are finger-safe according to IP20, and compatible with DIN rail or panel mounting.

### Relay Accessories



Description	Function	For Use with Relays	Pkg. Min.	Standard Part Number
Socket ①	DIN or panel mounting with screw terminals and clamping plates	782XDXH	10	70-782D14-1
Socket ②	DIN or panel mounting with elevator terminals		10	70-782EL14-1
Socket ③	DIN or panel mounting with rising elevator box terminals		10	70-782E14-1
Socket ④	DIN or panel mounting with screw terminals and clamping plates		10	70-461-1
Socket ⑤	Solder terminals for chassis mount		10	70-378-1
Socket ⑥	Printed circuit terminals for PCB mount		10	70-379-1

### Socket Accessories



Description	Function	For Use with Sockets	Coil Voltage	Pkg. Min.	Standard Part Number
Metal Spring Clip ①	Securing the relay in the socket	70-782D14-1, 70-782E14-1, 70-782EL14-1, 70-461-1, 70-378-1, 70-379-1	—	10	16-1342
Plastic ID Tag ②	Write-on plastic labels	70-782E14-1, 70-782EL14-1	—	10	16-782FT-1
Insulated Coil Bus Jumper System ③	Wireless socket connection	70-782EL14-1	—	10	16-782CBJ-1
Extruded Aluminum DIN Rail, 1 m (39.37 in.) ④	Quick installation and removal of sockets	70-782D14-1, 70-782EL14-1, 70-782E14-1	—	10	16-700DIN
DIN Rail End Clip ④	Holding the sockets firmly in place on a DIN rail	—	—	10	16-DCLIP-1

## Description

# Legacy General Purpose Relays

## 750H Hazardous Location Series

DPDT, 3PDT 12 A



UL Listed when used with corresponding sockets



750H Hazardous Location Relay

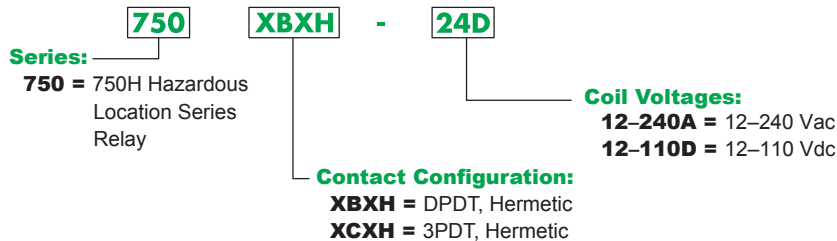
## Description

The hermetically sealed 750H Series relays comply with UL Class I Division 2 requirements for use in hazardous locations.

Feature	Benefit
Hermetically sealed	Compliance with UL Class I Division 2 for Hazardous Locations Groups A, B, C, and D; sealed for wash down conditions
Octal style mounting	Robust and historically proven mounting platform that provides excellent structural support
12 A max. switching current	Ideal choice for automation and control applications
DPDT and 3PDT contact configuration	Simultaneous control of separate circuits
Socket-mounting option	Simplified installation and maintenance; use of protection modules, hold-down clips, and other accessories

Contact Rating	Contact Configuration	Nominal Voltage	Coil Resistance ( $\Omega$ )	Standard Part Number
12 A	DPDT	12 Vac, 50/60 Hz	18	750XBXH-12A
		24 Vac, 50/60 Hz	72	750XBXH-24A
		120 Vac, 50/60 Hz	1700	750XBXH-120A
		240 Vac, 50/60 Hz	7200	750XBXH-240A
		12 Vdc	120	750XBXH-12D
		24 Vdc	470	750XBXH-24D
		110 Vdc	10,000	750XBXH-110D
	3PDT	12 Vac, 50/60 Hz	18	750XCXH-12A
		24 Vac, 50/60 Hz	72	750XCXH-24A
		120 Vac, 50/60 Hz	1700	750XCXH-120A
		240 Vac, 50/60 Hz	7200	750XCXH-240A
		12 Vdc	120	750XCXH-12D
		24 Vdc	470	750XCXH-24D
		110 Vdc	10,000	750XCXH-110D

## Part Number Explanation



For more information, contact Customer Service (847-441-2540).

# Legacy General Purpose Relays

## 750H Hazardous Location Series

### DPDT, 3PDT 12 A

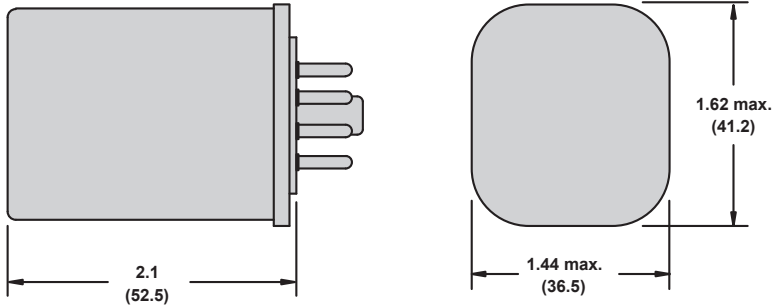
### Specifications (UL 508)

Part Number		750XBXH	750CXH
<b>Contact Characteristics</b>			
Terminal Style		Octal	
Contact Material		Silver Alloy	
Load Type		Standard	
Contact Configuration		DPDT	3PDT
Carrying Current		12 A	
Maximum Switching Voltage		300 V	
Rated Switching Current (Conforming to UL and ANSI/ISA 12.12.01)	Resistive	12 A at 120 Vac, 50/60 Hz, 100,000 cycles 12 A at 240 Vac, 50/60 Hz, 100,000 cycles 12 A at 28 Vdc, 100,000 cycles	
	Motor	1/2 hp at 240 Vac, 50/60 Hz, 100,000 cycles 1/3 hp at 120 Vac, 50/60 Hz, 100,000 cycles	
	Pilot Duty	B300 — 100,000 cycles	
Minimum Switching Requirement		100 mA at 5 Vdc	
<b>Coil Characteristics</b>			
Maximum Operating Voltage		110% (AC/DC)	
Maximum Pickup Voltage		85% (AC); 80% (DC)	
Drop-out Voltage Threshold		15% (AC); 10% (DC)	
Average Consumption		2.75 VA at 60 Hz (AC); 1.2 W (DC)	
<b>General Characteristics</b>			
Electrical Life (at Rated Load)		100,000 operations	
Mechanical Life (No Load)		10,000,000 operations	
Maximum Operating Time		20 ms	
Dielectric Strength	Between Coil and Contact	1600 V (rms)	
	Between Poles	1600 V (rms)	
	Between Open Contacts	1500 V (rms)	
Ambient Air Temperature Around the Device	Storage	-40 to +85 °C (-40 to +185 °F)	
	Operation	-40 to +55 °C (-40 to +131 °F)	
Temperature Code for Hazardous Locations		DC: T5, Max. Ambient Temperature +70 °C AC: T4A, Max. Ambient Temperature +40 °C	
Vibration Resistance—In Operation		3 gn at 35–150 Hz	
Shock Resistance		10 gn (11 ms)	
Degree of Protection		Hermetically sealed	
Weight		130 g (4.59 oz)	
Agency Approvals		UL with socket, UR (E209950), CSA (LR40787), RoHS	

Note: Actual product performance may vary depending on the application and environmental conditions.

## Dimensions, in. (mm)

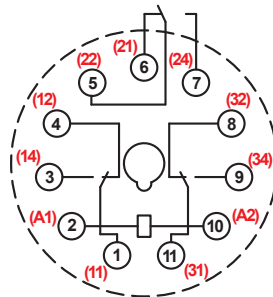
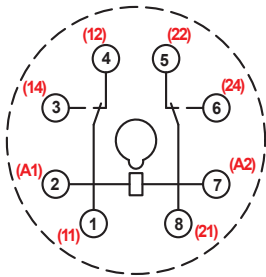
750H



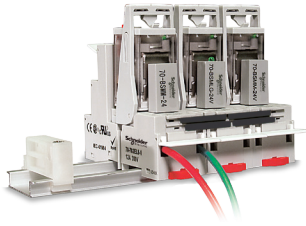
## Wiring Diagrams

DPDT

3PDT



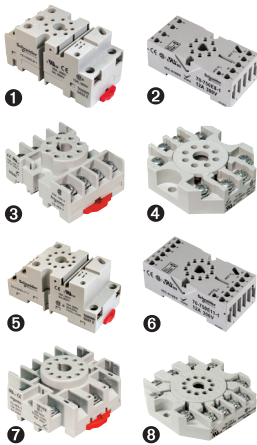
NEMA  
(IEC)



### Description

Optional sockets offer customizable solutions including protection modules, hold-down clips, and ID tags. Sockets are finger-safe according to IP20, and compatible with DIN rail or panel mounting.

### Relay Accessories



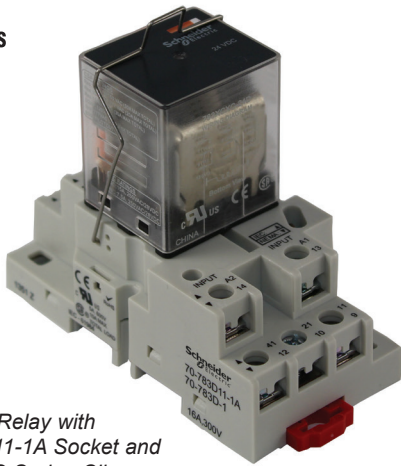
Description	Function	For Use with Relays	Pkg. Min.	Standard Part Number
Socket 1	DIN or panel mounting with screw terminals	750XBXH	10	70-750DL8-1
Socket 2	DIN or panel mounting with elevator terminals, module compatible		10	70-750E8-1
Socket 3	DIN or panel mounting with screw terminals and clamping plates		10	70-464-1
Socket 4	Panel mounting with screw terminals and clamping plates		10	70-169-1
Socket 5	DIN or panel mounting	750XCXH	10	70-750DL11-1
Socket 6	DIN or panel mounting with elevator terminals		10	70-750E11-1
Socket 7	DIN or panel mounting with screw terminals and clamping plates		10	70-465-1
Socket 8	Panel mounting with screw terminals and clamping plates		10	70-170-1

### Socket Accessories



Description	Function	For Use with Sockets	Coil Voltage	Pkg. Min.	Standard Part Number
Metal Spring Clip 1	Securing the relay in the socket	70-750DL8-1, 70-750E8-1, 70-464-1, 70-750E11-1, 70-750DL11-1, 70-465-1	—	10	16-1351
Plastic ID Tag 2	Write-on plastic labels	70-750E8-1, 70-750E11-1	—	10	16-750/788FT-1
Insulated Coil Bus Jumper System 3	Wireless socket connection	70-750DL8-1, 70-750DL11-1	—	10	16-750/788CBJ-1
Extruded Aluminum DIN Rail, 1 m (39.37 in.) 4	Quick installation and removal of sockets	70-750DL8-1, 70-750E8-1, 70-464-1, 70-750E11-1, 70-750DL11-1, 70-465-1	—	10	16-700DIN
DIN Rail End Clip 4	Holding the sockets firmly in place on a DIN rail	—	—	10	16-DCLIP-1





783XCX Relay with  
70-783D11-1A Socket and  
16-783SC Spring Clip

- Socket Specifications . . . . .42
- Mounting Adapter Specifications . . . . .66

The following relay/socket combinations comprise a UL Listed assembly when used together. This added benefit allows for easier installation, since no end-use evaluations are required when using our relays or sockets with third-party components.

### UL Listed Relay/Socket Combinations

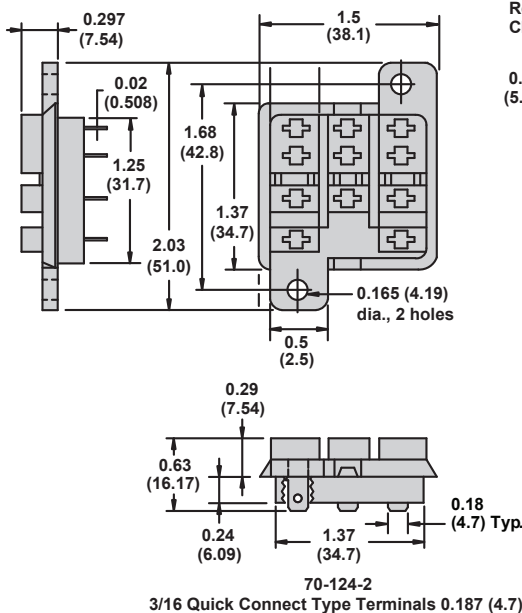
Mating Relay(s)	Number of Socket Pins	Socket Part Number	
781R	5	70-781D5R-1A	
782	8	70-782D8-1A	
		70-459-1	
792XBX	8	70-782EL8-1	
792XDX	14	70-782D14-1	
		70-782E14-1	
		70-782EL14-1	
		70-461-1	
783	11	70-783D11-1A	
784	14	70-784D14-1	
		70-464-1	
		70-750E8-1	
		70-750EL8-1	
	8	70-750DL8-1	
		11	70-465-1
			70-750E11-1
			70-750EL11-1
70-750DL11-1			
788R	11	70-463-1	
		70-788EL11-1	
782H	14	70-782EL14-1	
		70-782E14-1	
		70-782D14-1	
		70-461-1	
750H	8	70-464-1	
		70-750E8-1	
	11	70-465-1	
		70-750E11-1	

### Socket Specifications

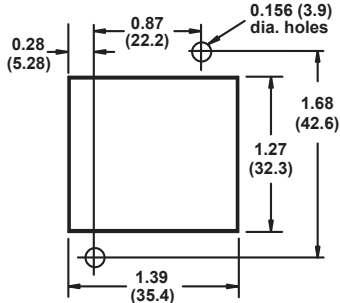
Part Number		70-124-2
Contact Configuration		3PDT
Number of Terminals		11
Mounting Style		Panel / Chassis
Current Rating		15 A
Nominal Voltage Rating		300 V
Temperature Range	Storage	-40 to +105 °C (-40 to +221 °F)
	Operating	-40 to +55 °C (-40 to +131 °F)
Protection Category		IP20
Internal Metal Tracks		Copper Alloy, Zinc Plated
Screw Terminals		Copper Alloy, Zinc Plated
Screw Style		—
Screw Size		—
Maximum Screw Torque		—
Terminal Connection		Solder
Terminal Layout		Mix
Maximum Wire Size	Solid Copper (Output)	16 AWG, 1.0 mm <sup>2</sup>
	Stranded Copper (Output)	16 AWG, 1.0 mm <sup>2</sup>
DIN Rail Mounting, EN 60715		—
Chassis Mount Screw Torque		—
Flammability Rating		94V-0
Weight		12.1 g (0.43 oz)
Agency Approvals		UL (E70550), CE, CSA (LR40787), RoHS

### Dimensions, in. (mm)

70-124-2

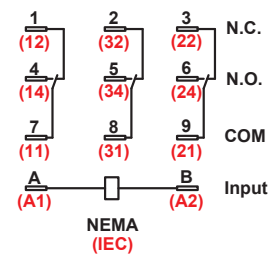


Recommended Chassis Cutout



### Wiring Diagram

70-124-2

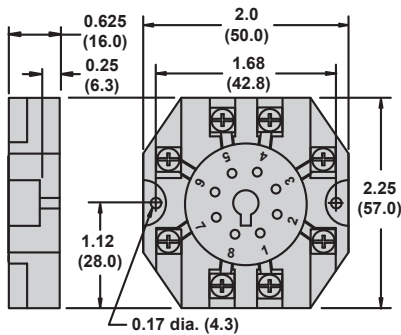


### Socket Specifications

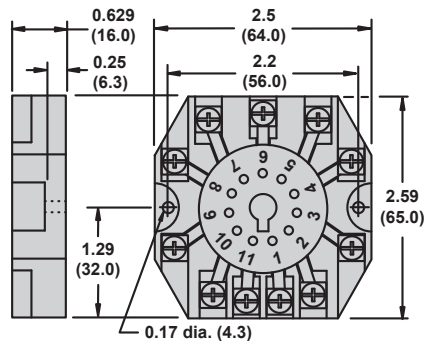
Part Number	70-169-1	70-170-1
Contact Configuration	DPDT	3PDT
Number of Terminals	8	11
Mounting Style	Panel	Panel
Current Rating	15 A	15 A
Nominal Voltage Rating	300 V	300 V
Temperature Range	Storage	-40 to +105 °C (-40 to +221 °F)
	Operating	-40 to +55 °C (-40 to +131 °F)
Protection Category	—	—
Internal Metal Tracks	Copper Alloy, Zinc Plated	Copper Alloy, Zinc Plated
Screw Terminals	Steel, Zinc Plated	Steel, Zinc Plated
Screw Style	Combination Head	Combination Head
Screw Size	M3.5 mm	M3.5 mm
Maximum Screw Torque	9 lb-in (1.0 N•m)	9 lb-in (1.0 N•m)
Terminal Connection	Screw Clamping	Screw Clamping
Terminal Layout	Mix	Mix
Maximum Wire Size	Solid Copper	Two 14–12 AWG (two 2.5–4 mm <sup>2</sup> )
	Stranded Copper	Two 14–12 AWG (two 2.5–4 mm <sup>2</sup> )
DIN Rail Mounting, EN 60715	35 mm	35 mm
Chassis Mount Screw Torque	7 lb-in (0.8 N•m)	7 lb-in (0.8 N•m)
Flammability Rating	94V-0	94V-0
Weight	57 g (2.01 oz)	57 g (2.01 oz)
Agency Approvals	UL (E70550), CE, CSA (LR97899), RoHS	UL (E70550), CE, CSA (LR97899), RoHS

### Dimensions, in. (mm)

70-169-1

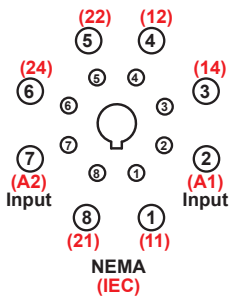


70-170-1

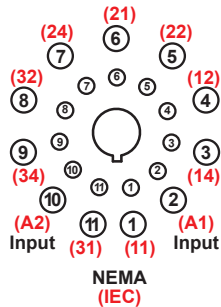


### Wiring Diagrams

70-169-1



70-170-1

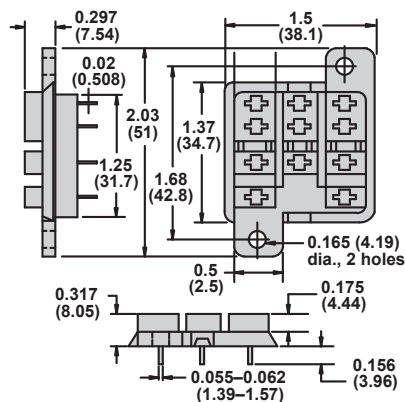


### Socket Specifications

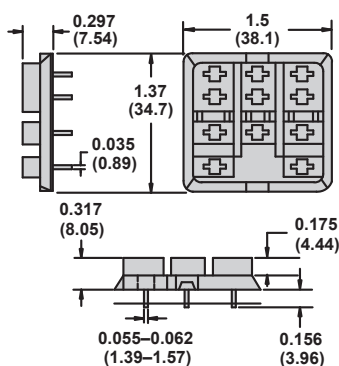
Part Number	70-178-1	70-178-2
Contact Configuration	3PDT	3PDT
Number of Terminals	11	11
Mounting Style	Panel / PCB	PCB
Current Rating	15 A	15 A
Nominal Voltage Rating	300 V	300 V
Temperature Range	Storage	-40 to +105 °C (-40 to +221 °F)
	Operating	-40 to +55 °C (-40 to +131 °F)
Protection Category	IP20	IP20
Internal Metal Tracks	Copper Alloy, Zinc Plated	Copper Alloy, Zinc Plated
Screw Terminals	Copper Alloy, Zinc Plated	Copper Alloy, Zinc Plated
Screw Style	—	—
Screw Size	—	—
Maximum Screw Torque	—	—
Terminal Connection	PCB	PCB
Terminal Layout	Mix	Mix
Maximum Wire Size	Solid Copper (Output)	16 AWG, 1.0 mm <sup>2</sup>
	Stranded Copper (Output)	16 AWG, 1.0 mm <sup>2</sup>
DIN Rail Mounting, EN 60715	—	—
Chassis Mount Screw Torque	—	—
Flammability Rating	94V-0	94V-0
Weight	12.1 g (0.43 oz)	12.1 g (0.43 oz)
Agency Approvals	UL (E70550), CE, CSA (LR40787), RoHS	UL (E70550), CE, CSA (LR40787), RoHS

### Dimensions, in. (mm)

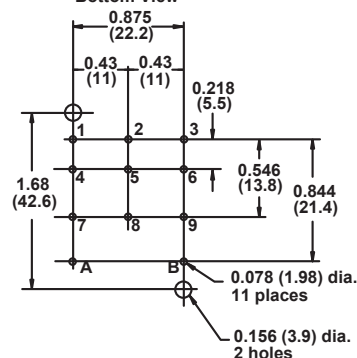
70-178-1



70-178-2

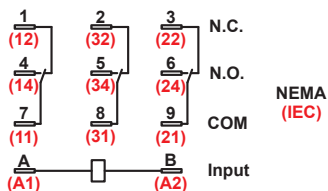


Recommended Circuit Board Layout  
For 70-178-1 & 70-178-2  
Bottom View



### Wiring Diagram

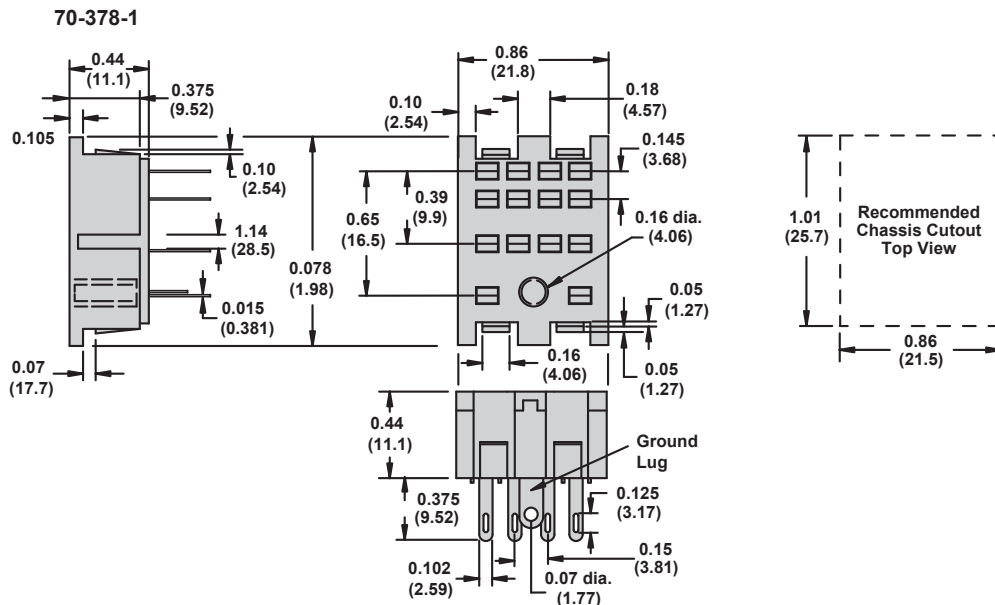
70-178-1 and 70-178-2



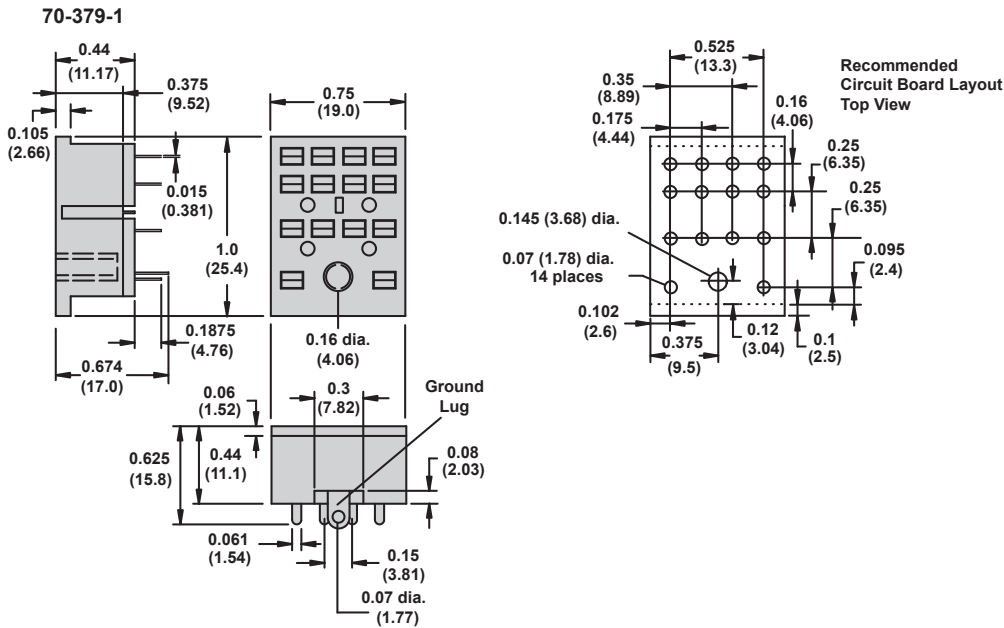
### Socket Specifications

Part Number	70-378-1	70-379-1
Contact Configuration	4PDT	4PDT
Number of Terminals	14	14
Mounting Style	Chassis	PCB
Current Rating	5 A	5 A
Nominal Voltage Rating	120 V	120 V
Temperature Range	Storage	-40 to +105 °C (-40 to +221 °F)
	Operating	-40 to +55 °C (-40 to +131 °F)
Protection Category	—	—
Internal Metal Tracks	Copper Alloy, Zinc Plated	Copper Alloy, Zinc Plated
Screw Terminals	Copper Alloy, Zinc Plated	Copper Alloy, Zinc Plated
Screw Style	—	—
Screw Size	—	—
Maximum Screw Torque	—	—
Terminal Connection	Solder	PCB
Terminal Layout	Mix	Mix
Maximum Wire Size	Solid Copper (Output)	18 AWG, 0.8 mm <sup>2</sup>
	Stranded Copper (Output)	18 AWG, 0.8 mm <sup>2</sup>
DIN Rail Mounting, EN 60715	35 mm	—
Chassis Mount Screw Torque	7 lb-in (0.8 N•m)	—
Flammability Rating	94V-0	94V-0
Weight	6.2 g (0.22 oz)	5.8 g (0.20 oz)
Agency Approvals	UL (E70550), CE, CSA (LR40787), RoHS	UL (E70550), CE, CSA (LR40787), RoHS

### Dimensions, in. (mm)

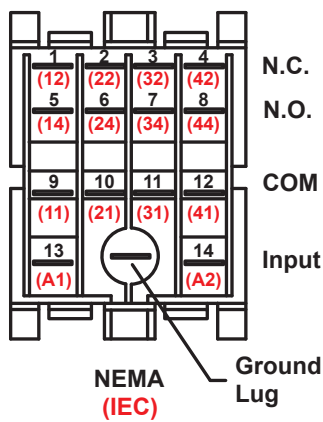


### Dimensions, in. (mm)

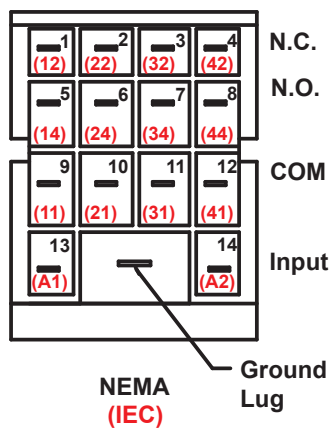


### Wiring Diagrams

**70-378-1**



**70-379-1**

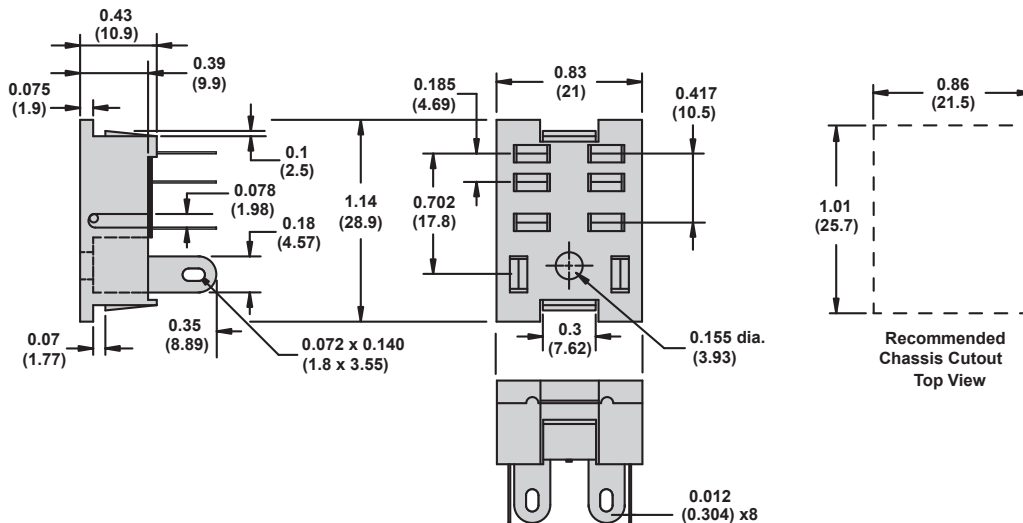


### Socket Specifications

Part Number	70-401-1	70-402-1
Contact Configuration	DPDT	DPDT
Number of Terminals	8	8
Mounting Style	Chassis	PCB
Current Rating	10 A	10 A
Nominal Voltage Rating	300 V	300 V
Temperature Range	Storage	-40 to +105 °C (-40 to +221 °F)
	Operating	-40 to +55 °C (-40 to +131 °F)
Protection Category	—	—
Internal Metal Tracks	Copper Alloy, Zinc Plated	Copper Alloy, Zinc Plated
Screw Terminals	Copper Alloy, Zinc Plated	Copper Alloy, Zinc Plated
Screw Style	Combination Head	—
Screw Size	M3.5 mm	—
Maximum Screw Torque	9 lb-in (1.0 N•m)	—
Terminal Connection	Solder	PCB
Terminal Layout	Mix	Mix
Maximum Wire Size	Solid Copper (Output)	18 AWG, 0.8 mm <sup>2</sup>
	Stranded Copper (Output)	18 AWG, 0.8 mm <sup>2</sup>
DIN Rail Mounting, EN 60715	—	—
Chassis Mount Screw Torque	7 lb-in (0.8 N•m)	—
Flammability Rating	94V-0	94V-0
Weight	6.2 g (0.22 oz)	6.5 g (0.23 oz)
Agency Approvals	UL (E70550), CE, RoHS	UL (E70550), CE, RoHS

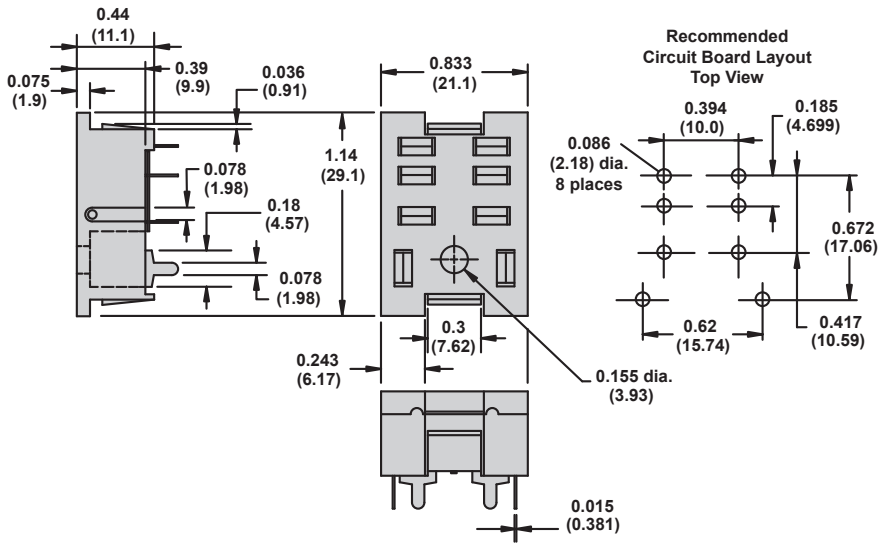
### Dimensions, in. (mm)

70-401-1



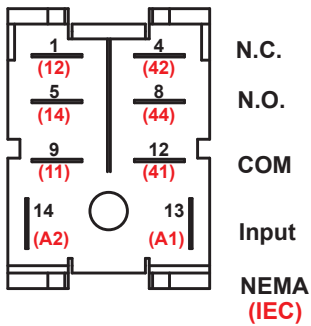
Dimensions, in. (mm)

70-402-1

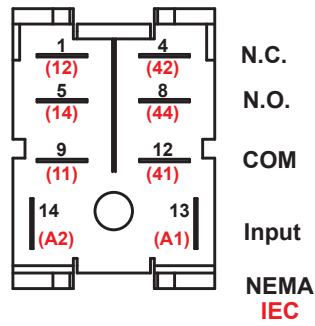


Wiring Diagrams

70-401-1



70-402-1



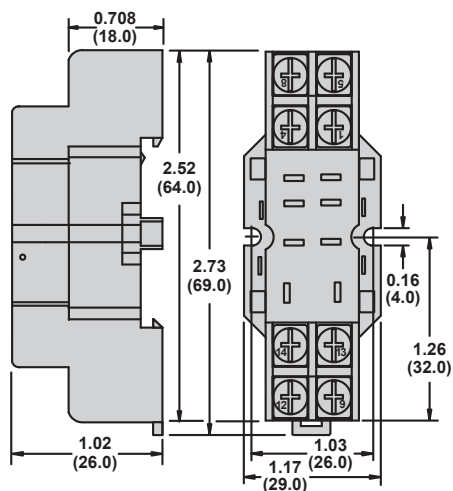


### Socket Specifications

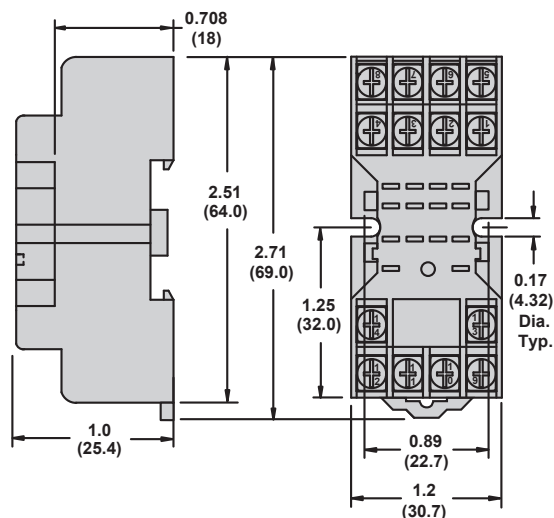
Part Number	70-459-1	70-461-1	70-463-1
Contact Configuration	DPDT	4PDT	3PDT
Number of Terminals	8	14	11
Mounting Style	Panel or DIN rail	Panel or DIN rail	Panel or DIN rail
Current Rating	10 A	10 A	15 A
Nominal Voltage Rating	300 V	300 V	300 V
Temperature Range	Storage	-40 to +105 °C (-40 to +221 °F)	-40 to +105 °C (-40 to +221 °F)
	Operating	-40 to +55 °C (-40 to +131 °F)	-40 to +70 °C (-40 to +158 °F)
Protection Category	—	—	—
Internal Metal Tracks	Copper Alloy, Zinc Plated	Copper Alloy, Zinc Plated	Copper Alloy, Zinc Plated
Screw Terminals	Steel, Zinc Plated	Steel, Zinc Plated	Steel, Zinc Plated
Screw Style	Combination Head	Combination Head	Combination Head
Screw Size	M3.5 mm	M3 mm	M3.5 mm
Maximum Screw Torque	9 lb-in (1.0 N•m)	7 lb-in (0.8 N•m)	9 lb-in (1.0 N•m)
Terminal Connection	Screw Clamping	Screw Clamping	Screw Clamping
Terminal Layout	Mix	Mix	Mix
Maximum Wire Size	Solid Copper	Two 14–12 AWG (two 2.5–4 mm <sup>2</sup> )	Two 16–14 AWG (two 1.5–2.5 mm <sup>2</sup> )
	Stranded Copper	Two 14–12 AWG (two 2.5–4 mm <sup>2</sup> )	Two 16–14 AWG (two 1.5–2.5 mm <sup>2</sup> )
DIN Rail Mounting, EN 60715	35 mm	35 mm	35 mm
Chassis Mount Screw Torque	7 lb-in (0.8 N•m)	7 lb-in (0.8 N•m)	7 lb-in (0.8 N•m)
Flammability Rating	94V-0	94V-0	94V-0
Weight	50 g (1.76 oz)	50 g (1.76 oz)	51 g (1.79 oz)
Agency Approvals	UL (E70550), CE, CSA (LR97899), RoHS	UL (E70550), CE, CSA (LR97899), RoHS	UL (E70550), CE, CSA (LR97899), RoHS

### Dimensions, in. (mm)

70-459-1

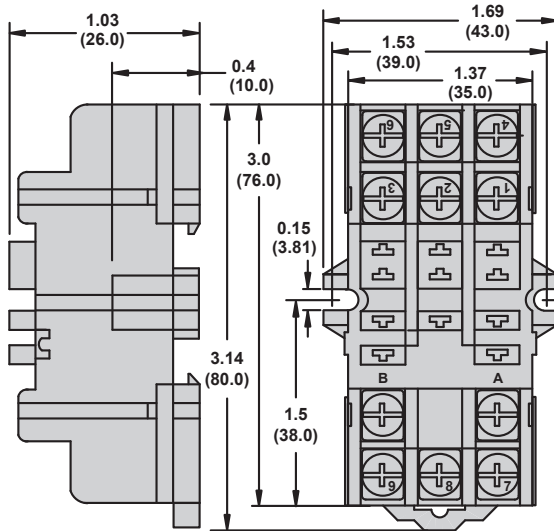


70-461-1



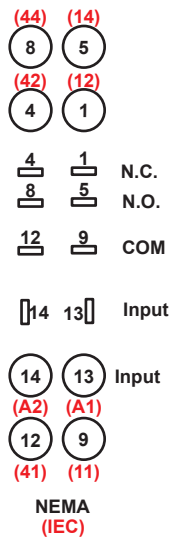
### Dimensions, in. (mm)

70-463-1

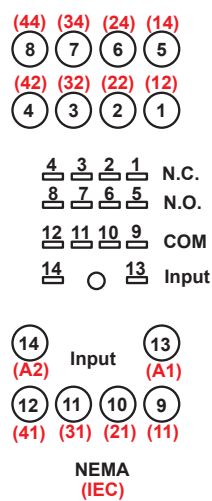


### Wiring Diagrams

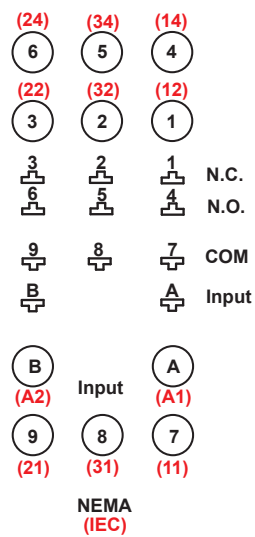
70-459-1



70-461-1



70-463-1

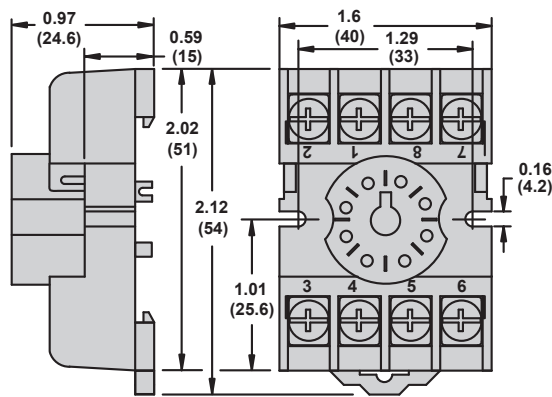


### Socket Specifications

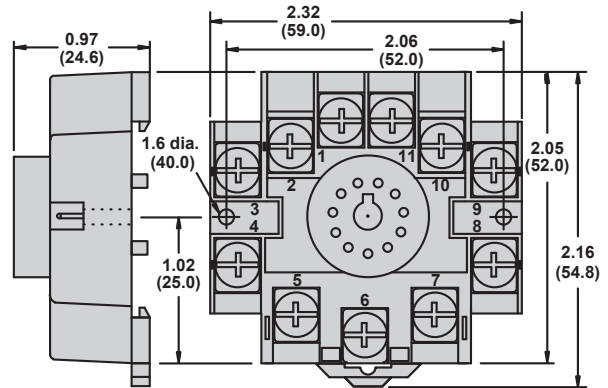
Part Number	70-464-1	70-465-1
Contact Configuration	DPDT	3PDT
Number of Terminals	8	11
Mounting Style	Panel or DIN rail	Panel or DIN rail
Current Rating	15 / 10 A	15 / 5 A
Nominal Voltage Rating	300 / 600 V	300 / 600 V
Temperature Range	Storage	-40 to +105 °C (-40 to +221 °F)
	Operating	-40 to +55 °C (-40 to +131 °F)
Protection Category	—	—
Internal Metal Tracks	Copper Alloy, Zinc Plated	Copper Alloy, Zinc Plated
Screw Terminals	Steel, Zinc Plated	Steel, Zinc Plated
Screw Style	Combination Head	Combination Head
Screw Size	M3.5 mm	M3.5 mm
Maximum Screw Torque	9 lb-in (1.0 N•m)	9 lb-in (1.0 N•m)
Terminal Connection	Screw Clamping	Screw Clamping
Terminal Layout	Mix	Mix
Maximum Wire Size	Solid Copper	Two 14–12 AWG (two 2.5–4 mm <sup>2</sup> )
	Stranded Copper	Two 14–12 AWG (two 2.5–4 mm <sup>2</sup> )
DIN Rail Mounting, EN 60715	35 mm	35 mm
Chassis Mount Screw Torque	7 lb-in (0.8 N•m)	7 lb-in (0.8 N•m)
Flammability Rating	94V-0	94V-0
Weight	40 g (1.41 oz)	57 g (2.01 oz)
Agency Approvals	UL (E70550), CE, CSA (LR97899), RoHS	UL (E70550), CE, CSA (LR97899), RoHS

### Dimensions, in. (mm)

70-464-1

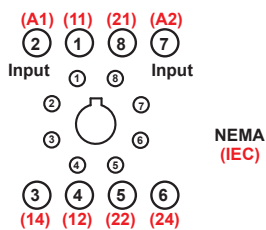


70-465-1

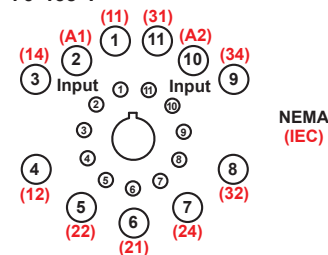


### Wiring Diagrams

70-464-1



70-465-1

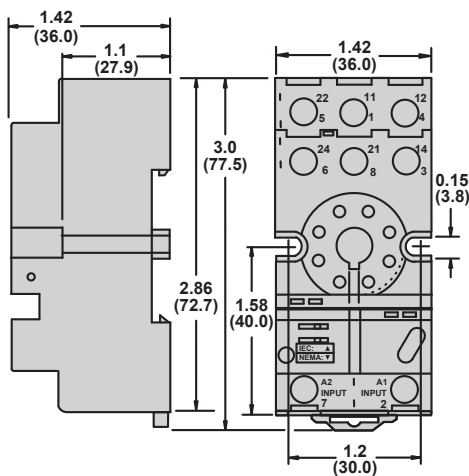


## Socket Specifications

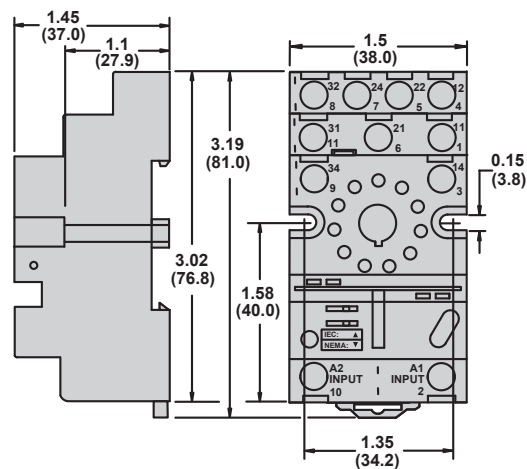
Part Number	70-750DL8-1	70-750DL11-1
Contact Configuration	DPDT	3PDT
Number of Terminals	8	11
Mounting Style	Panel or DIN rail	Panel or DIN rail
Current Rating	16 A	16 A
Nominal Voltage Rating	300 V	600 V
Temperature Range	Storage	-40 to +105 °C (-40 to +221 °F)
	Operating	-40 to +55 °C (-40 to +131 °F)
Protection Category	IP20	IP20
Internal Metal Tracks	Copper Alloy, Zinc Plated	Copper Alloy, Zinc Plated
Screw Terminals	Steel, Zinc Plated	Steel, Zinc Plated
Screw Style	Combination Head	Combination Head
Screw Size	M3.5 mm	M3.5 mm
Maximum Screw Torque	9 lb-in (1.0 N•m)	9 lb-in (1.0 N•m)
Terminal Connection	Screw Clamping	Screw Clamping
Terminal Layout	Mix	Mix
Maximum Wire Size	Solid Copper	Two 14–12 AWG (two 2.5–4 mm <sup>2</sup> )
	Stranded Copper	Two 14–12 AWG (two 2.5–4 mm <sup>2</sup> )
DIN Rail Mounting, EN 60715	35 mm	35 mm
Chassis Mount Screw Torque	7 lb-in (0.8 N•m)	7 lb-in (0.8 N•m)
Flammability Rating	94V-0	94V-0
Weight	60 g (2.12 oz)	78 g (2.75 oz)
Agency Approvals	UL (E70550), CE, CSA (LR40787), RoHS	UL (E70550), CE, CSA (LR40787), RoHS

## Dimensions, in. (mm)

70-750DL8-1

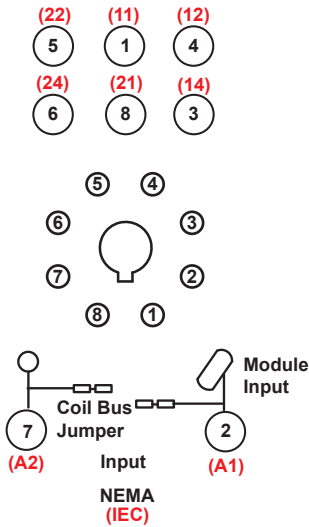


70-750DL11-1

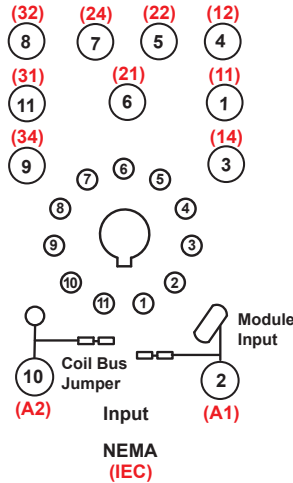


### Wiring Diagrams

70-750DL8-1



70-750DL11-1

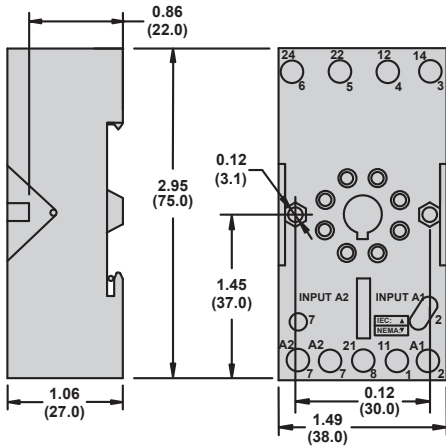


### Socket Specifications

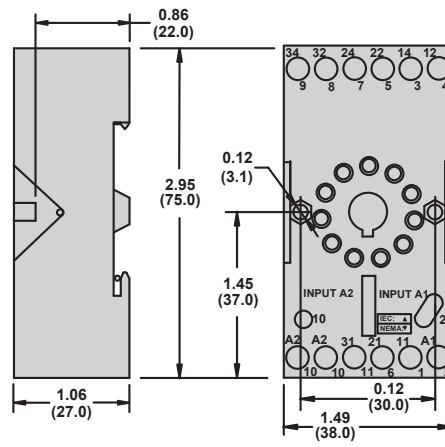
Part Number	70-750E8-1	70-750E11-1
Contact Configuration	DPDT	3PDT
Number of Terminals	8	11
Mounting Style	Panel or DIN rail	Panel or DIN rail
Current Rating	12 A	12 A
Nominal Voltage Rating	300 V	300 V
Temperature Range		
Storage	-40 to +105 °C (-40 to +221 °F)	-40 to +105 °C (-40 to +221 °F)
Operating	-40 to +55 °C (-40 to +131 °F)	-40 to +55 °C (-40 to +131 °F)
Protection Category	IP20	IP20
Internal Metal Tracks	Copper Alloy, Zinc Plated	Copper Alloy, Zinc Plated
Screw Terminals	Steel, Zinc Plated	Steel, Zinc Plated
Screw Style	Combination Head	Combination Head
Screw Size	M3.5 mm	M3.5 mm
Maximum Screw Torque	9 lb-in (1.0 N•m)	9 lb-in (1.0 N•m)
Terminal Connection	Elevator	Elevator
Terminal Layout	Separate	Separate
Maximum Wire Size		
Solid Copper	Two 14–12 AWG (two 2.5–4 mm <sup>2</sup> )	Two 14–12 AWG (two 2.5–4 mm <sup>2</sup> )
Stranded Copper	Two 14–12 AWG (two 2.5–4 mm <sup>2</sup> )	Two 14–12 AWG (two 2.5–4 mm <sup>2</sup> )
DIN Rail Mounting, EN 60715	35 mm	35 mm
Chassis Mount Screw Torque	7 lb-in (0.8 N•m)	7 lb-in (0.8 N•m)
Flammability Rating	94V-0	94V-0
Weight	85 g (3.0 oz)	85 g (3.0 oz)
Agency Approvals	UL (E70550), CE, CSA (LR40787), RoHS	UL (E70550), CE, CSA (LR40787), RoHS

Dimensions, in. (mm)

70-750E8-1

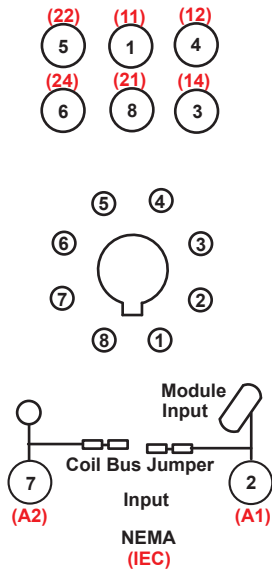


70-750E11-1

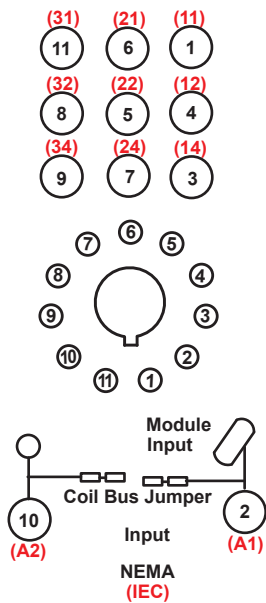


Wiring Diagrams

70-750EL8-1



70-750EL11-1

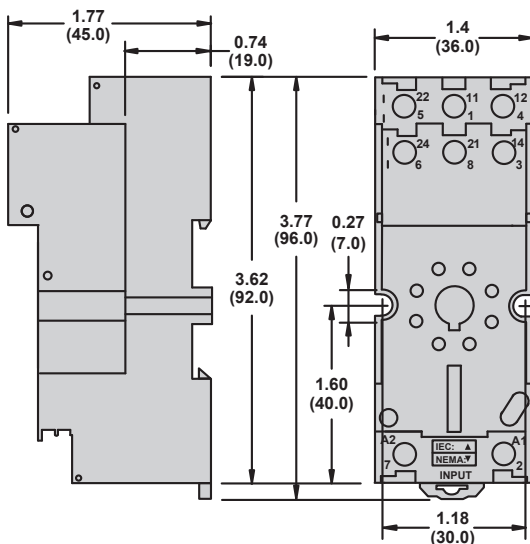


## Socket Specifications

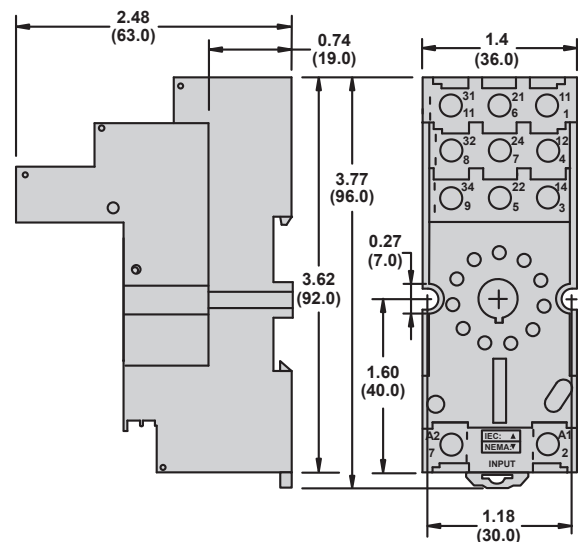
Part Number	70-750EL8-1	70-750EL11-1
Contact Configuration	DPDT	3PDT
Number of Terminals	8	11
Mounting Style	Panel or DIN rail	Panel or DIN rail
Current Rating	16 A	16 A
Nominal Voltage Rating	300 V	300 V
Temperature Range	Storage	-40 to +105 °C (-40 to +221 °F)
	Operating	-40 to +55 °C (-40 to +131 °F)
Protection Category	IP20	IP20
Internal Metal Tracks	Copper Alloy, Zinc Plated	Copper Alloy, Zinc Plated
Screw Terminals	Steel, Zinc Plated	Steel, Zinc Plated
Screw Style	Combination Head	Combination Head
Screw Size	M3.5 mm	M3.5 mm
Maximum Screw Torque	9 lb-in (1.0 N•m)	9 lb-in (1.0 N•m)
Terminal Connection	Elevator	Elevator
Terminal Layout	Separate	Separate
Maximum Wire Size	Solid Copper	Two 14–12 AWG (two 2.5–4 mm <sup>2</sup> )
	Stranded Copper	Two 14–12 AWG (two 2.5–4 mm <sup>2</sup> )
DIN Rail Mounting, EN 60715	35 mm	35 mm
Chassis Mount Screw Torque	7 lb-in (0.8 N•m)	7 lb-in (0.8 N•m)
Flammability Rating	94V-0	94V-0
Weight	79 g (2.79 oz)	79 g (2.79 oz)
Agency Approvals	UL (E70550), CE, CSA (LR40787), RoHS	UL (E70550), CE, CSA (LR40787), RoHS

## Dimensions, in. (mm)

70-750EL8-1

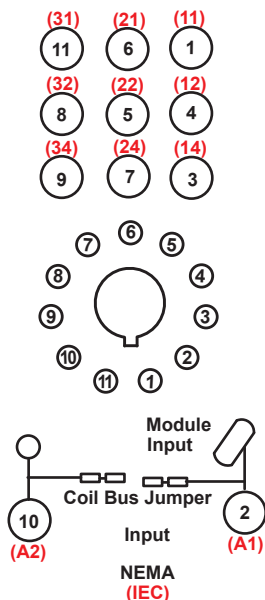


70-750EL11-1

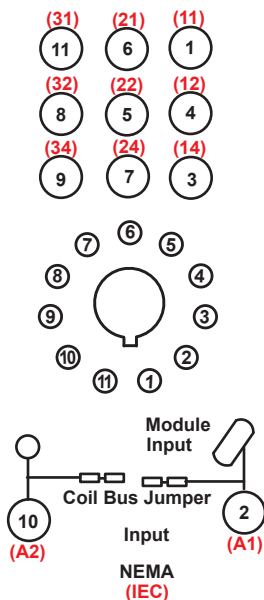


### Wiring Diagrams

70-750EL11-1



70-750EL11-1



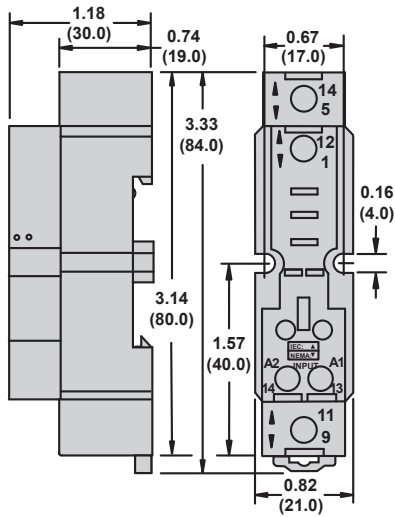
### Socket Specifications

Part Number	70-781D5R-1A	70-781T-1
Contact Configuration	SPDT	SPDT
Number of Terminals	5	5
Mounting Style	Panel or DIN rail	PCB
Current Rating	16 A	10 A
Nominal Voltage Rating	300 V	300 V
Temperature Range		
Storage	-40 to +85 °C (-40 to +185 °F)	-40 to +105 °C (-40 to +221 °F)
Operating	-40 to +55 °C (-40 to +131 °F)	-40 to +55 °C (-40 to +131 °F)
Protection Category	IP20	—
Internal Metal Tracks	Copper Alloy, Zinc Plated	Copper Alloy, Zinc Plated
Screw Terminals	Steel, Zinc Plated	Copper Alloy, Zinc Plated
Screw Style	Combination Head	—
Screw Size	M3 mm / M3.5 mm	—
Maximum Screw Torque		
M3	7 lb-in (0.8 N•m)	
M3.5	9 lb-in (1.0 N•m)	
Terminal Connection	Screw Clamping	PCB
Terminal Layout	Mix	Mix
Maximum Wire Size		
Solid Copper	Two 12 AWG (two 4 mm <sup>2</sup> ) without cable end	—
Stranded Copper	Two 14 AWG (two 2.5 mm <sup>2</sup> ) with cable end	—
DIN Rail Mounting, EN 60715	35 mm	—
Chassis Mount Screw Torque	7 lb-in (0.8 N•m)	—
Flammability Rating	94V-0	94V-0
Weight	31 g (1.09 oz)	18 g (0.63 oz)
Agency Approvals	UL (E70550), CE, CSA (168986), RoHS	UL (E70550), CE, RoHS

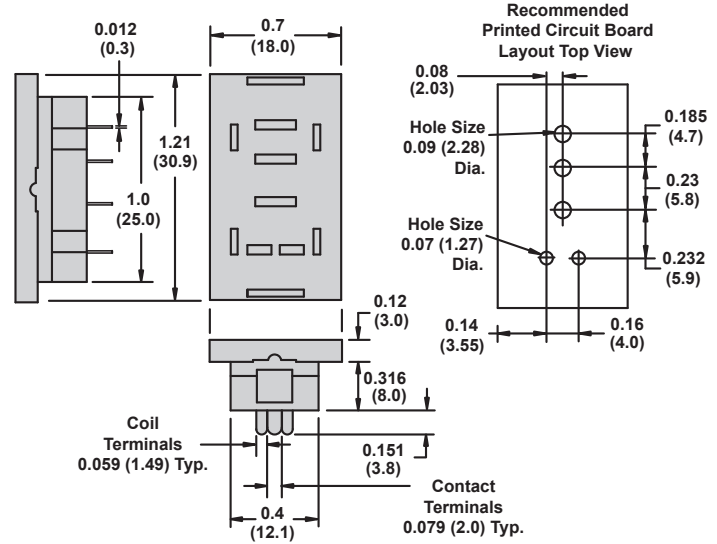


### Dimensions, in. (mm)

70-781D5R-1A

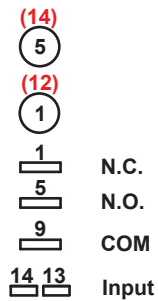


70-781T-1



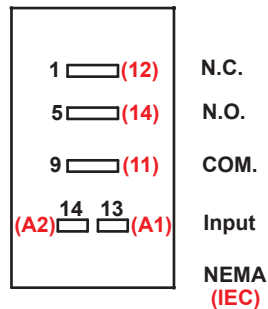
### Wiring Diagrams

70-781D5R-1A



NEMA  
(IEC)

70-781T-1

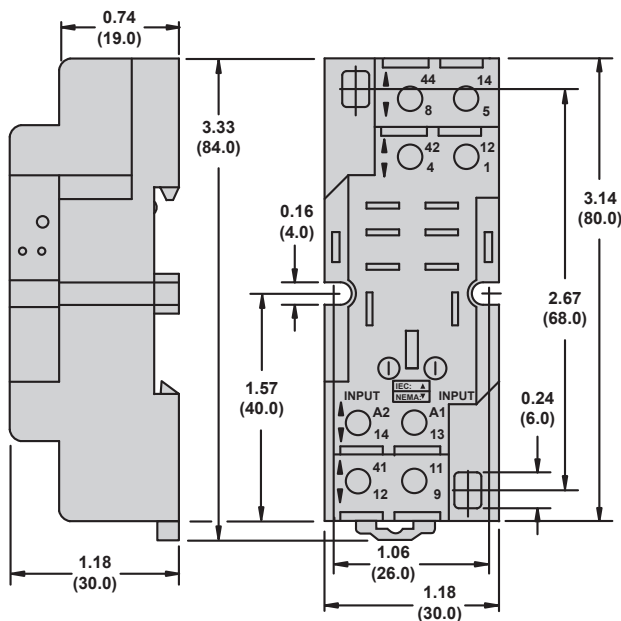


## Socket Specifications

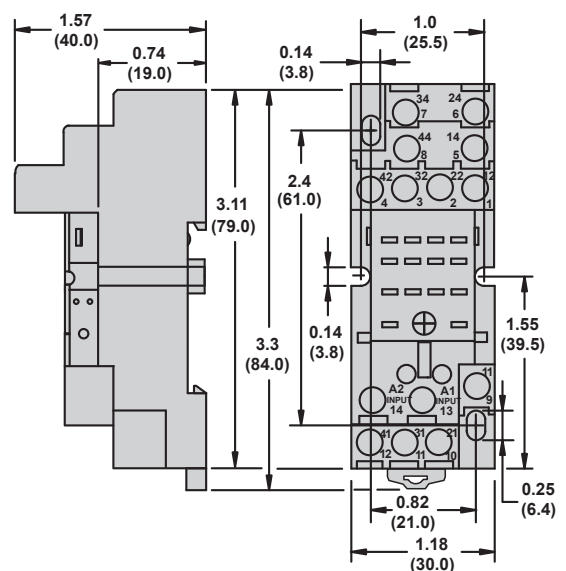
Part Number		70-782D8-1A	70-782D14-1
Contact Configuration		DPDT	4PDT
Number of Terminals		8	14
Mounting Style		Panel or DIN rail	Panel or DIN rail
Current Rating		16 A	10 A
Nominal Voltage Rating		300 V	300 V
Temperature Range	Storage	-40 to +105 °C (-40 to +221 °F)	-40 to +105 °C (-40 to +221 °F)
	Operating	-40 to +55 °C (-40 to +131 °F)	-40 to +70 °C (-40 to +158 °F)
Protection Category		IP20	IP20
Internal Metal Tracks		Copper Alloy, Zinc Plated	Copper Alloy, Zinc Plated
Screw Terminals		Steel, Zinc Plated	Steel, Zinc Plated
Screw Style		Combination Head	Combination Head
Screw Size		M3.5 mm	M3 mm
Maximum Screw Torque		9 lb-in (1.0 N•m)	7 lb-in (0.8 N•m)
Terminal Connection		Screw Clamping	Screw Clamping
Terminal Layout		Mix	Mix
Maximum Wire Size	Solid Copper	Two 14–12 AWG (two 2.5–4 mm <sup>2</sup> )	Two 14–12 AWG (two 2.5–4 mm <sup>2</sup> )
	Stranded Copper	Two 14–12 AWG (two 2.5–4 mm <sup>2</sup> )	Two 14–12 AWG (two 2.5–4 mm <sup>2</sup> )
DIN Rail Mounting, EN 60715		35 mm	35 mm
Chassis Mount Screw Torque		7 lb-in (0.8 N•m)	7 lb-in (0.8 N•m)
Flammability Rating		94V-0	94V-0
Weight		55 g (1.94 oz)	62 g (2.19 oz)
Agency Approvals		UL (E70550), CE, CSA (LR40787), RoHS	UL (E70550), CE, CSA (LR40787), RoHS

## Dimensions, in. (mm)

70-782D8-1A

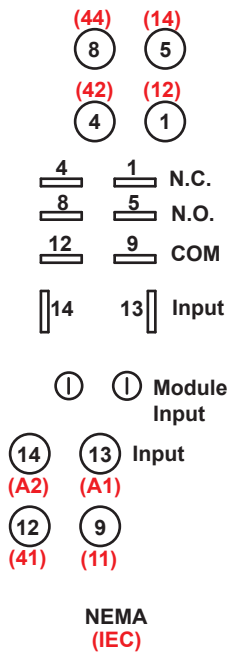


70-782D14-1

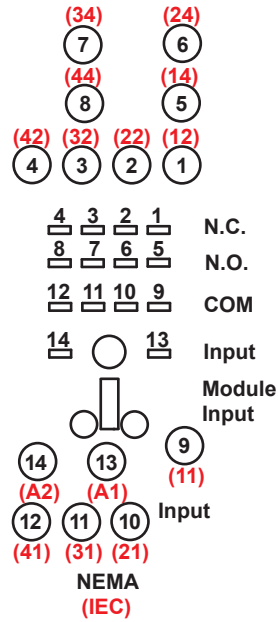


### Wiring Diagrams

70-782D8-1A



70-782D14-1

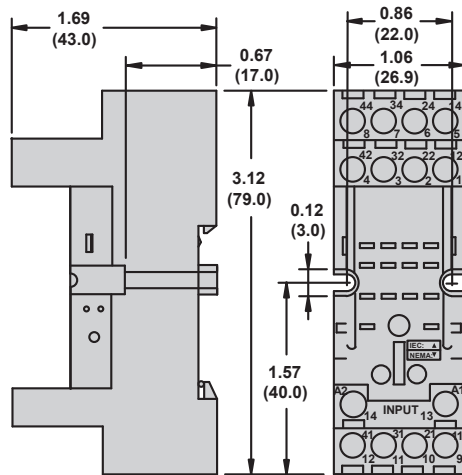


### Socket Specifications

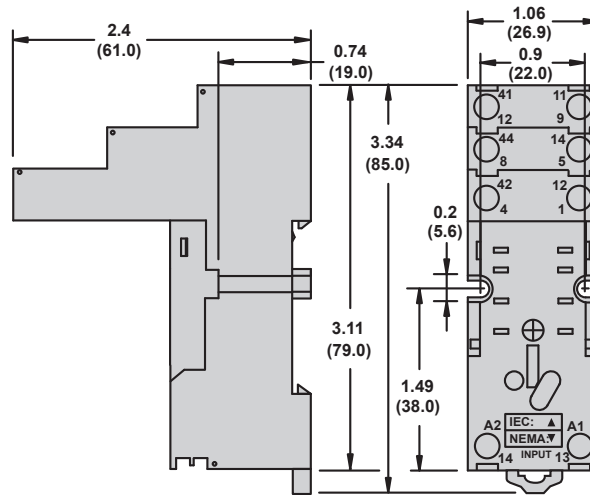
Part Number	70-782E14-1	70-782EL8-1
Contact Configuration	4PDT	DPDT
Number of Terminals	14	8
Mounting Style	Panel or DIN rail	Panel or DIN rail
Current Rating	10 A	12 A
Nominal Voltage Rating	300 V	300 V
Temperature Range	Storage	-40 to +105 °C (-40 to +221 °F)
	Operating	-40 to +70 °C (-40 to +158 °F)
Protection Category	IP20	IP20
Internal Metal Tracks	Copper Alloy, Zinc Plated	Copper Alloy, Zinc Plated
Screw Terminals	Steel, Zinc Plated	Steel, Zinc Plated
Screw Style	Combination Head	Combination Head
Screw Size	M3 mm	M3.5 mm
Maximum Screw Torque	7 lb-in (0.8 N•m)	9 lb-in (1.0 N•m)
Terminal Connection	Elevator	Elevator
Terminal Layout	Separate	Separate
Maximum Wire Size	Solid Copper	Two 16–14 AWG (two 1.5–2.5 mm <sup>2</sup> )
	Stranded Copper	Two 16–14 AWG (two 1.5–2.5 mm <sup>2</sup> )
DIN Rail Mounting, EN 60715	35 mm	35 mm
Chassis Mount Screw Torque	7 lb-in (0.8 N•m)	7 lb-in (0.8 N•m)
Flammability Rating	94V-0	94V-0
Weight	56 g (1.98 oz)	46 g (1.62 oz)
Agency Approvals	UL (E70550) CE, CSA (LR40787), RoHS	UL (E70550), CE, CSA (LR40787), RoHS

### Dimensions, in. (mm)

70-782E14-1

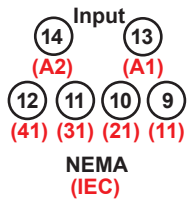
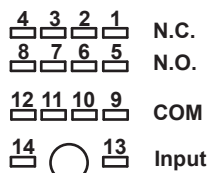


70-782EL8-1

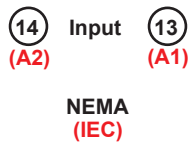
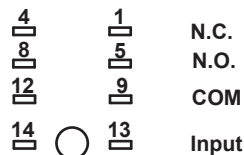
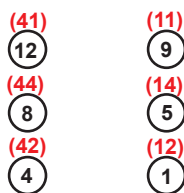


### Wiring Diagrams

70-782E14-1



70-782EL8-1

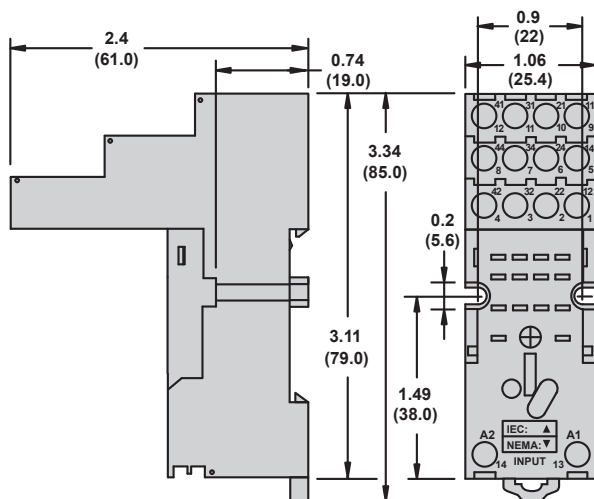


## Socket Specifications

Part Number		70-782EL14-1
Contact Configuration		4PDT
Number of Terminals		14
Mounting Style		Panel or DIN rail
Current Rating		10 A
Nominal Voltage Rating		300 V
Temperature Range	Storage	-40 to +105 °C (-40 to +221 °F)
	Operating	-40 to +70 °C (-40 to +158 °F)
Protection Category		IP20
Internal Metal Tracks		Copper Alloy, Zinc Plated
Screw Terminals		Steel, Zinc Plated
Screw Style		Combination Head
Screw Size		M3 mm
Maximum Screw Torque		7 lb-in (0.8 N•m)
Terminal Connection		Elevator
Terminal Layout		Separate
Maximum Wire Size	Solid Copper	Two 16–14 AWG (two 1.5–2.5 mm <sup>2</sup> )
	Stranded Copper	Two 16–14 AWG (two 1.5–2.5 mm <sup>2</sup> )
DIN Rail Mounting, EN 60715		35 mm
Chassis Mount Screw Torque		7 lb-in (0.8 N•m)
Flammability Rating		94V-0
Weight		62 g (2.19 oz)
Agency Approvals		UL (E70550), CE, CSA (LR40787), RoHS

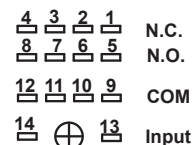
## Dimensions, in. (mm)

70-782EL14-1



## Wiring Diagram

70-782EL14-1



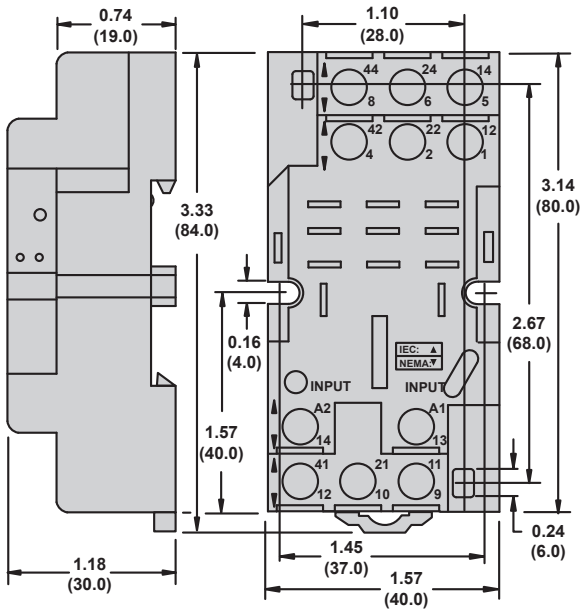
NEMA  
(IEC)

### Socket Specifications

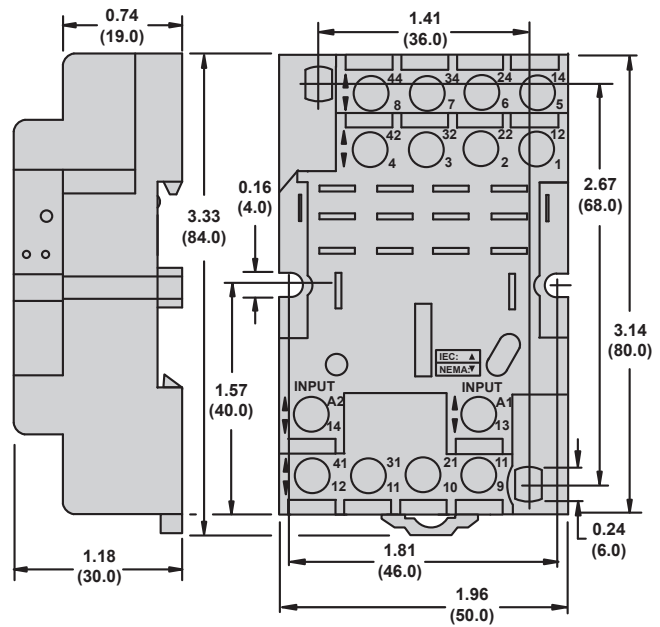
Part Number		70-783D11-1A	70-784D14-1
Contact Configuration		3PDT	4PDT
Number of Terminals		11	14
Mounting Style		Panel or DIN rail	Panel or DIN rail
Current Rating		16 A	16 A
Nominal Voltage Rating		300 V	300 V
Temperature Range	Storage	-40 to +105 °C (-40 to +221 °F)	-40 to +105 °C (-40 to +221 °F)
	Operating	-40 to +55 °C (-40 to +131 °F)	-40 to +55 °C (-40 to +131 °F)
Protection Category		IP20	IP20
Internal Metal Tracks		Copper Alloy, Zinc Plated	Copper Alloy, Zinc Plated
Screw Terminals		Steel, Zinc Plated	Steel, Zinc Plated
Screw Style		Combination Head	Combination Head
Screw Size		M3.5 mm	M3.5 mm
Maximum Screw Torque		9 lb-in (1.0 N•m)	9 lb-in (1.0 N•m)
Terminal Connection		Screw Clamping	Screw Clamping
Terminal Layout		Mix	Mix
Maximum Wire Size	Solid Copper	Two 14–12 AWG (two 2.5–4 mm <sup>2</sup> )	Two 14–12 AWG (two 2.5–4 mm <sup>2</sup> )
	Stranded Copper	Two 14–12 AWG (two 2.5–4 mm <sup>2</sup> )	Two 14–12 AWG (two 2.5–4 mm <sup>2</sup> )
DIN Rail Mounting, EN 60715		35 mm	35 mm
Chassis Mount Screw Torque		7 lb-in (0.8 N•m)	7 lb-in (0.8 N•m)
Flammability Rating		94V-0	94V-0
Weight		55 g (1.94oz)	62 g (2.19 oz)
Agency Approvals		CE, RoHS, UL (E70550), CSA (LR40787)	CE, RoHS, UL (E70550), CSA (LR40787)

### Dimensions, in. (mm)

70-783D11-1A

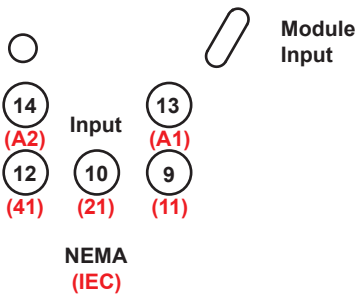
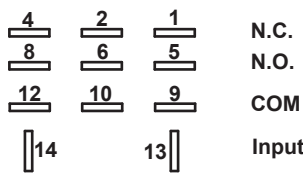
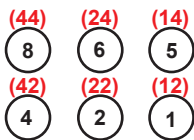


70-784D14-1

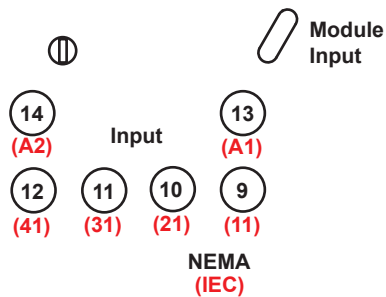
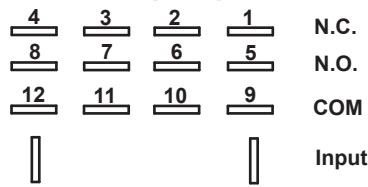


### Wiring Diagrams

70-783D11-1A



70-784D14-1



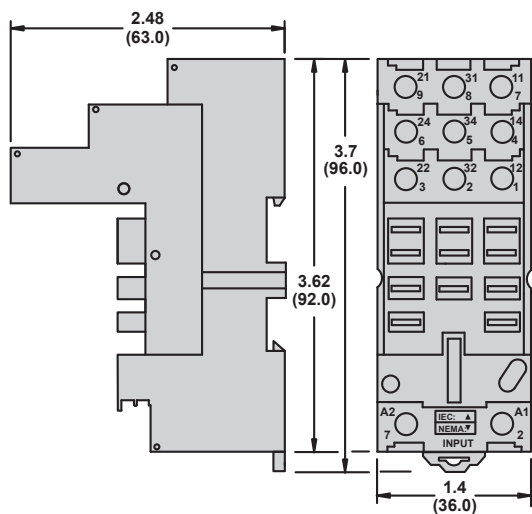


### Socket Specifications

Part Number		70-788EL11-1
Contact Configuration		3PDT
Number of Terminals		11
Mounting Style		DIN rail
Current Rating		25 A
Nominal Voltage Rating		300 V
Temperature Range	Storage	-40 to +105 °C (-40 to +221 °F)
	Operating	-40 to +55 °C (-40 to +131 °F)
Protection Category		IP20
Internal Metal Tracks		Copper Alloy, Zinc Plated
Screw Terminals		Steel, Zinc Plated
Screw Style		Combination Head
Screw Size		M3.5 mm
Maximum Screw Torque		9 lb-in (1.0 N•m)
Terminal Connection		Elevator
Terminal Layout		Separate
Maximum Wire Size	Solid Copper	Two 14–10 AWG (two 2.5–6 mm <sup>2</sup> )
	Stranded Copper	Two 14–10 AWG (two 2.5–6 mm <sup>2</sup> )
DIN Rail Mounting, EN 60715		35 mm
Chassis Mount Screw Torque		7 lb-in (0.8 N•m)
Flammability Rating		94V-0
Weight		96 g (3.39 oz)
Agency Approvals		UL (E70550), CE, CSA (LR40787), RoHS

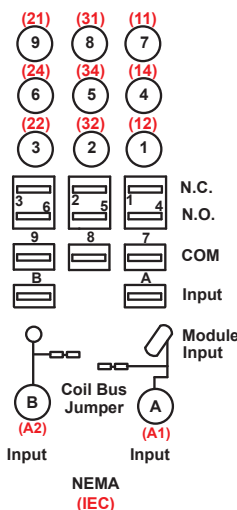
### Dimensions, in. (mm)

70-788EL11-1



### Wiring Diagram

70-788EL11-1

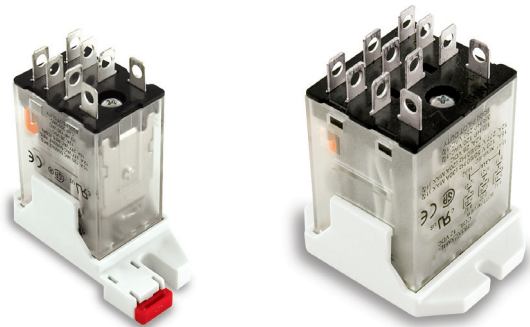


### Mounting Adapter Specifications

Part Number	16-781C	16-782C	16-783C	16-784C	16-781C1	16-782C2	16-783C1	16-784C1
Mounting Style	DIN rail / panel				Panel			
Mating Relays	781R Series	792 Series 782 Series	783 Series	784 Series	781R Series	792 Series 782 Series	783 Series	784 Series
Agency Approvals	RoHS							

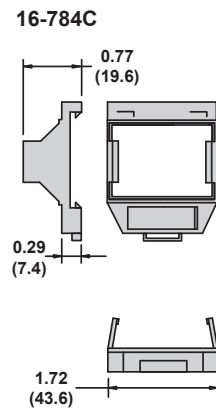
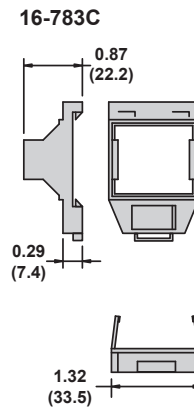
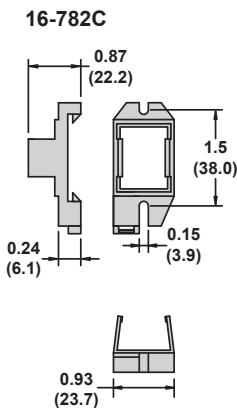
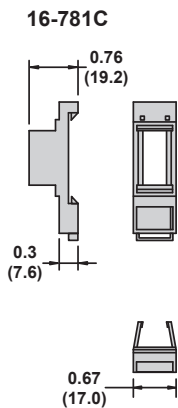
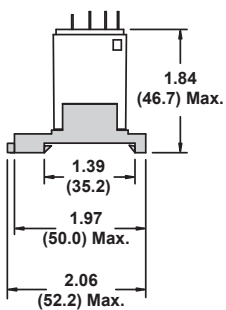
### Key Features

- No socket needed
- DIN or panel mounting
- Plastic construction
- Light weight
- Low cost
- Low profile
- Write-on label
- Narrow mounting
- Easy termination

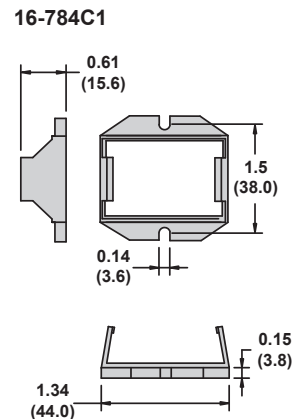
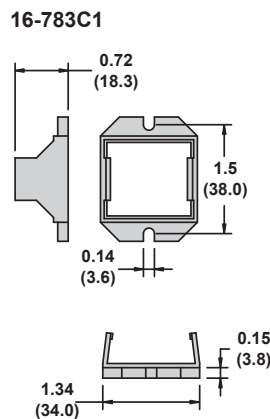
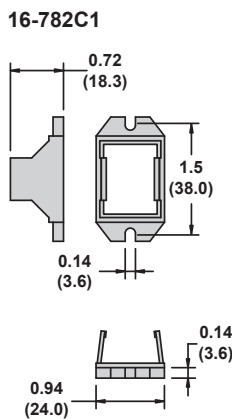
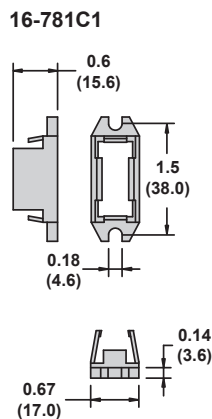
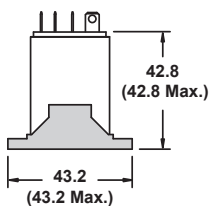


### Mounting Adapter Dimensions, in. (mm)

#### All DIN Adapters



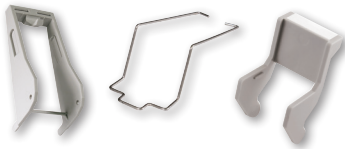
#### All Flange Adapters



### Product Overview

#### Hold-Down Clips

For safely securing the relay to the socket. Available in plastic or stainless steel.



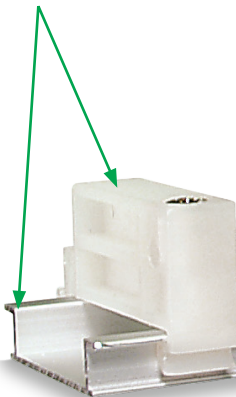
#### Socket Modules

For optional circuit protection (diode, MOV, or RC) or status indicator LED. Modules plug into mating sockets.



#### DIN Rail and Locking End Clip

For quick installation and removal of sockets.



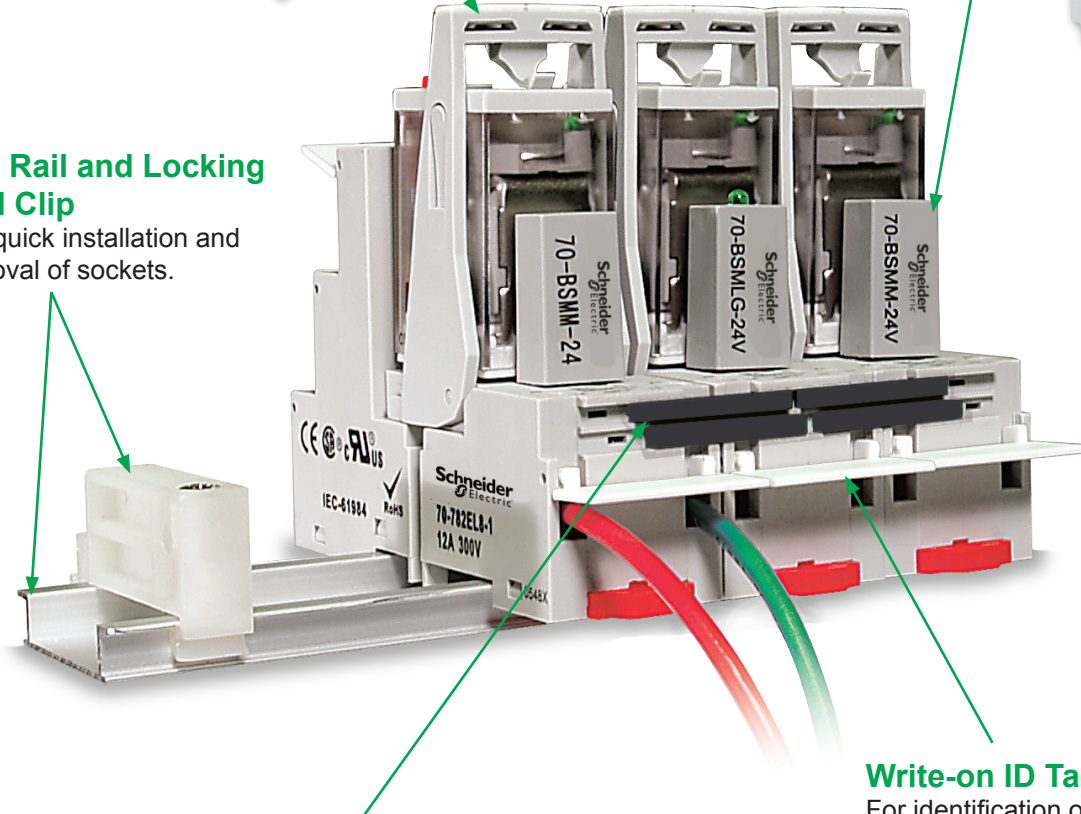
#### Insulated Coil Bus Jumper System

For connection to adjacent sockets without tools or additional wiring.



#### Write-on ID Tags

For identification of relays in multi-relay circuits. The tag snaps onto the mating socket.



# Legacy General Purpose Relays

## Socket Accessories

### Hold-Down Clips

Use the table below to select Schneider Electric hold-down clips based on socket and relay compatibility.

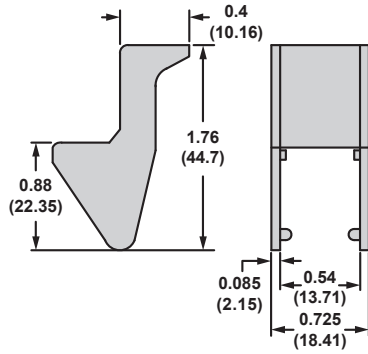
### Key Features

- Stainless steel spring clips: secure the relay to the socket in harsh environments
- Plastic ejector clips: secure and eject relays from tight, multi-socket applications
- Plastic ID clips: easily identify circuits in multi-relay applications; include an ID tag with each clip

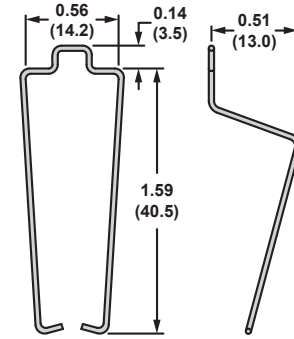
Socket Part Number	Relays	Clip Part Number	Clip Type
70-124-2	788XBXR / 788XCXR	16-1351	Spring Clip
70-178-1	788XBXR / 788XCXR	16-1351	Spring Clip
70-178-2	788XBXR / 788XCXR	16-1351	Spring Clip
70-378-1	792XDX Control, 782XDXH	16-1342	Spring Clip
70-379-1	792XDX Control, 782XDXH	16-1342	Spring Clip
70-401-1	782XBX Power	16-1342	Spring Clip
70-402-1	782XBX Power	16-1342	Spring Clip
70-459-1	782XBX Power	16-1342	Spring Clip
70-461-1	792XDX Control, 782XDXH	16-1342	Spring Clip
70-463-1	788XBXR / 788XCXR	16-1351	Spring Clip
70-464-1	750XBXR, 750XBXH	16-1351	Spring Clip
70-465-1	750XCXR, 750XCXH	16-1351	Spring Clip
70-750DL8-1	750XBXR	16-1332	Spring Clip
	750XBXH	16-1351	Spring Clip
70-750DL11-1	750XCXR	16-1332	Spring Clip
	750XCXH	16-1351	Spring Clip
70-750E8-1	750XBXR	16-1344	Spring Clip
	750XBXR, 750XBXH	16-1351	Spring Clip
70-750E11-1	750XCXR, 750XCXH	16-1351	Spring Clip
70-750EL8-1	750XBXR	16-1351	Spring Clip
70-750EL11-1	750XCXR	16-1351	Spring Clip
70-781D5R-1A	781XAXR	16-781IDC	ID Clip
		16-781SC	Spring Clip
70-781T-1	781XAXR	16-781SC	Spring Clip
70-782D8-1A	782XBX Power	16-1342	Spring Clip
		16-782IDC	ID Clip
70-782D14-1	782XBX Power (full-feature cover only)	16-782PC-1	Ejector Clip
	792XBX / 792XDX Control	16-782SC	Spring Clip
	792XBX / 792XDX Control (full-feature cover only)	16-782PC-1	Ejector Clip
70-782E14-1	782XDXH	16-1342	Spring Clip
	792XBX / 792XDX Control	16-782SC	Spring Clip
	792XBX / 792XDX Control (full-feature cover only)	16-782PC-1	Ejector Clip
70-782EL8-1	782XDXH	16-1342	Spring Clip
	792XBX Control	16-782SC	Spring Clip
	792XBX Control (full-feature cover only)	16-782PC-1	Ejector Clip
70-782EL14-1	792XBX / 792XDX Control	16-782SC	Spring Clip
	792XBX / 792XDX Control (full-feature cover only)	16-782PC-1	Ejector Clip
	782XDXH	16-1342	Spring Clip
70-783D11-1A	783XCX	16-783IDC	ID Clip
		16-783SC	Spring Clip
70-784D14-1	784XDX	16-784IDC	ID Clip
		16-784SC	Spring Clip
70-788EL11-1	788XBXR / 788XCXR	16-1351	Spring Clip

#### Hold-Down Clip Dimensions, in. (mm)

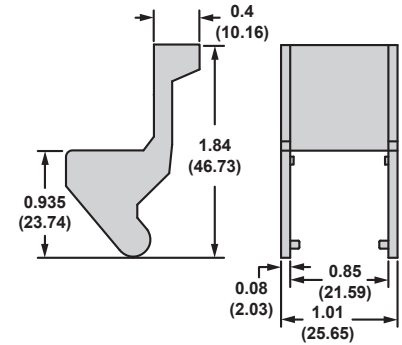
16-781IDC



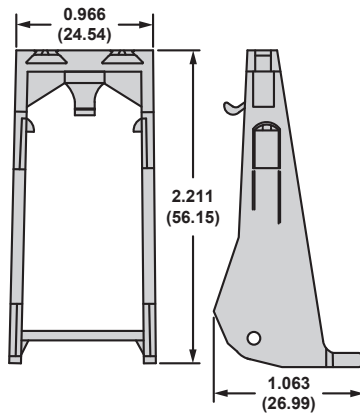
16-781SC



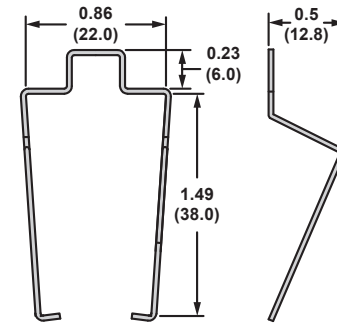
16-782IDC



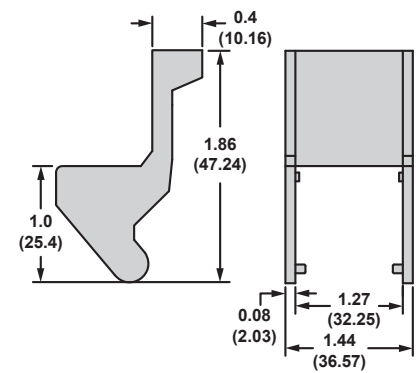
16-782PC



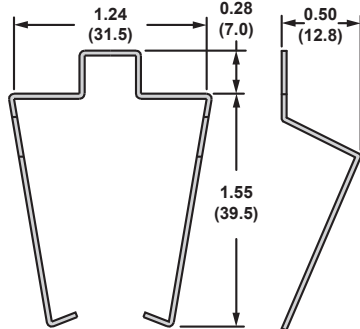
16-782SC



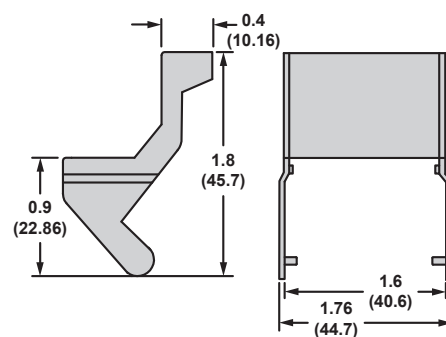
16-783IDC



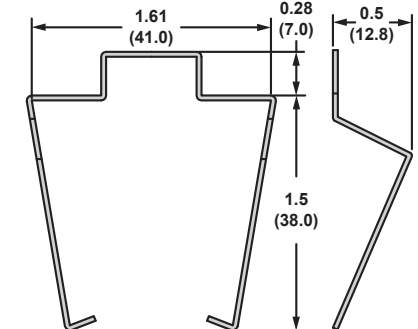
16-783SC



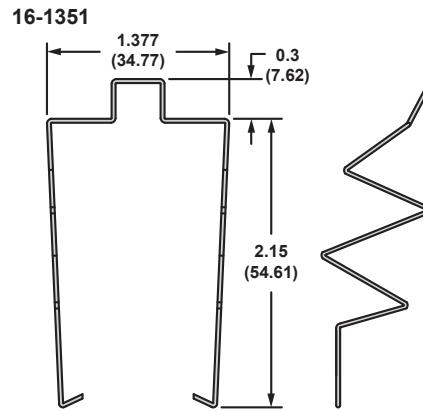
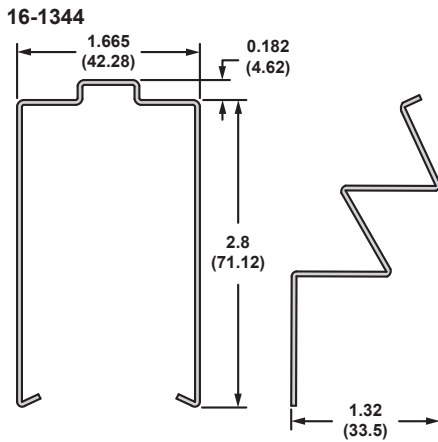
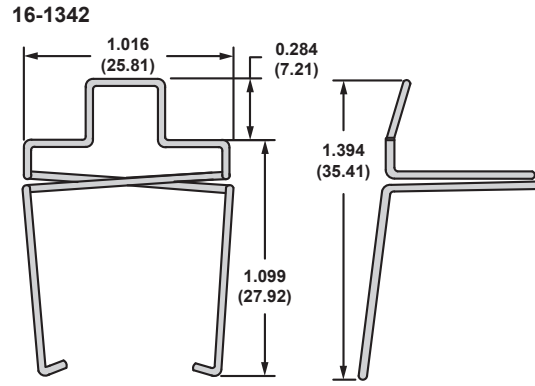
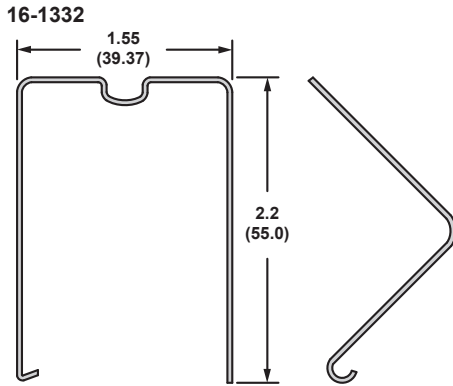
16-784IDC



16-784SC

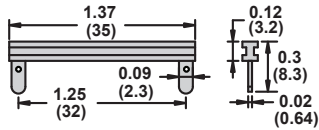


Hold-Down Clip Dimensions (*continued*), in. (mm)

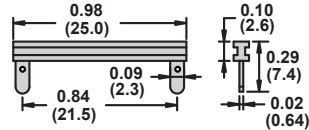


### Insulated Coil Bus Jumper Dimensions, in. (mm)

16-750/788CBJ-1 Coil Bus Jumper

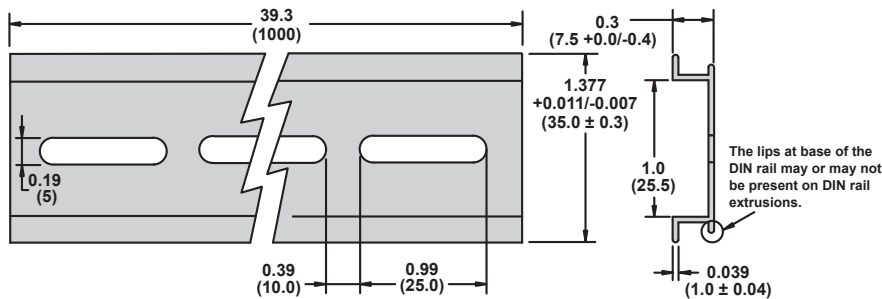


16-750/788CBJ-1 Coil Bus Jumper

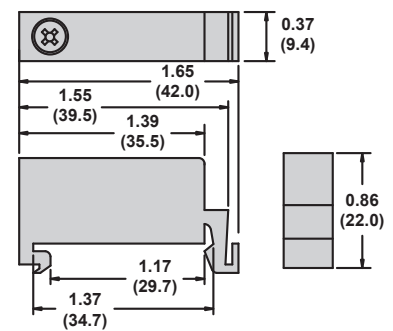


### DIN Rail and DIN Clip Dimensions, in. (mm)

16-700DIN Metal DIN Rail

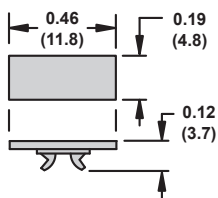


16-DCLIP-1 DIN Rail Clip

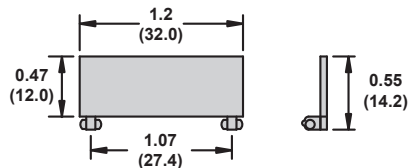


### ID Tag Dimensions, in. (mm)

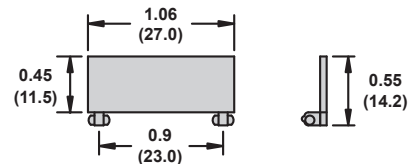
16-700ST-1 ID Tag/Label



16-750/788FT-1 ID Tag/Label

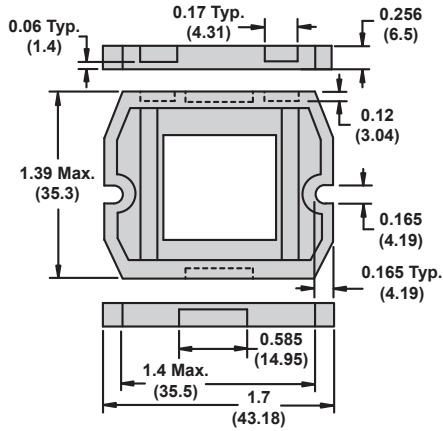


16-782FT-1 ID Tag/Label



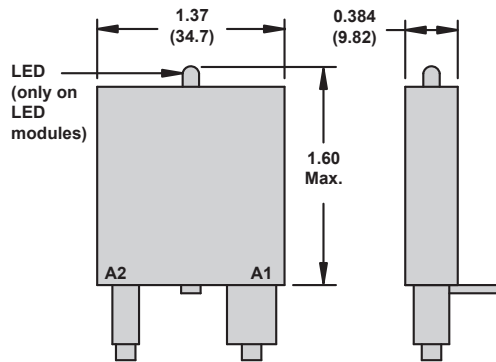
#### Panel Mount Adapter Dimensions, in. (mm)

16-788C1 Panel Mount Adapter

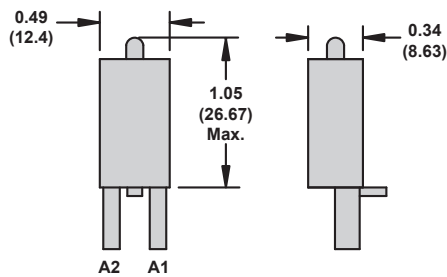


#### Socket Module Dimensions, in. (mm)

70-ASM Socket Modules

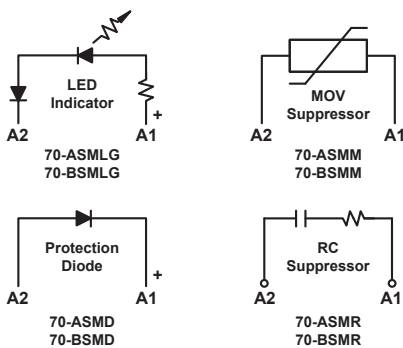


70-BSM Socket Modules

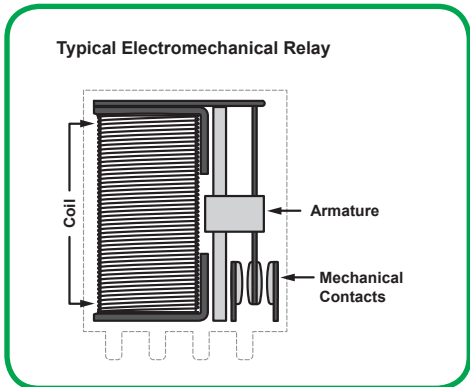


#### Socket Module Wiring Diagrams

70-ASM & 70-BSM Socket Modules







## General Purpose Relays

General purpose relays are electromechanical relays which consist of a coil, armature, and contacts (see the figure at left).

### Principle of Operation

When power is applied to the coil, the resulting magnetic field causes the armature to move, and the contacts to open or close.

## Applications

With multiple options, features, and available accessories, our general purpose relays offer a complete system solution to improve your design, speed up installation, and simplify testing of your application.

### Typical Examples of General Purpose Relay Applications



#### Automation Panels

*Process controls, motor controls, standby lighting*



#### Food & Beverage

*Commercial/industrial cooking equipment, filtration systems, bottling, chillers, convection ovens*



#### Packaging Machinery

*Conveyor motors, food processors, product/shrink wrap, solenoid controls*



#### Lighting Control

*Traffic signal systems, motorway information systems, theatrical lighting, ballast lighting*



#### Power Supplies

*Universal power supplies, battery backup systems*



#### Material Handling

*Motor control, conveyor controls*



#### HVAC & Refrigeration

*Anti-condensation equipment, compressor controls, blower controls, motorized duct/vent controls*



#### Appliances

*Air conditioners, water heaters, portable heaters, spa controls, water pumps*

The Legacy Relays website ([www.serelays.com](http://www.serelays.com)) is designed to help you easily find the proper relay to fit your design requirements, and to help you simplify and shorten your workflow.

## Easily find the proper relay to fit your design requirements

### ■ Online Catalog

Find the right product by choosing specifications, comparing products side-by-side, and viewing technical specifications, 2D and 3D drawings, and associated accessories.

### ■ Cross-Reference Search

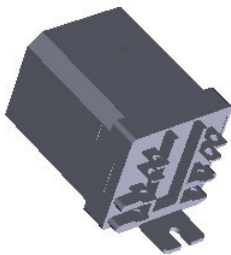
Search our comprehensive database to identify products by manufacturer and part number, and link directly to part specifications.

### ■ 3D CAD Library

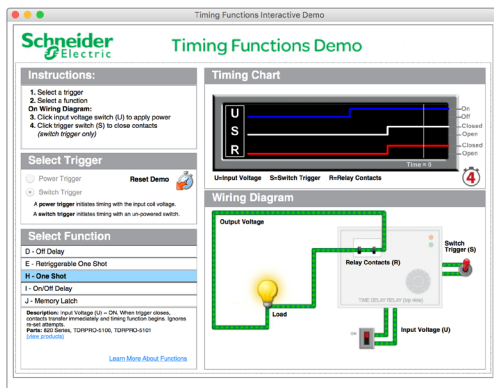
View, email, download, or insert a file directly into your open CAD software. Choose from 18 file formats.

### ■ Order Free Samples

Schneider Electric offers free samples as a courtesy to individuals and companies evaluating our products for their designs and applications. Sample orders are subject to approval.



3D Models



Time Delay Relay Demo

## Simplify and shorten your workflow

### ■ Interactive Tools

View interactive demonstrations, such as our Time Delay Relay Interactive Demo (left), which visually demonstrates the ten different timing functions offered.

### ■ Distributor Inventory Search

Search authorized distributors' current Schneider Electric inventory and buy online. (Buy online is not available for all distributors).

16-700DIN	8, 12, 16, 20, 24, 28, 32, 36, 40	70-782D8-1A	16, 41, 58
16-700ST-1	8, 16	70-782D14-1	36, 41, 58
16-750/788CBJ-1	28, 32, 40	70-782E	8
16-750/788FT-1	28, 32, 40	70-782E14-1	36, 41, 59
16-781C	12, 65	70-782EL8-1	41, 59
16-781C1	12, 65	70-782EL14-1	36, 41, 61
16-781IDC	12, 67	70-783D11-1A	20, 41, 62
16-781SC	12, 67	70-784D14-1	24, 41, 62
16-782C	8, 16, 65	70-788EL11-1	32, 41, 64
16-782C1	8, 16	70-ASM	20, 24, 28, 32
16-782C2	65	70-BSM	8, 12, 16
16-782CBJ-1	8, 36	750XBXH	37, 38
16-782FT-1	8, 36	750XBXR	25, 26
16-782IDC	16, 67	750XCXH	37, 38
16-782PC-1	8, 16, 67	750XCXR	25, 26
16-782SC	8, 67	781XAXR	9, 10
16-783C	20, 65	782XBX	14
16-783C1	20, 65	782XBXC	13
16-783IDC	20, 67	782XBXCL	13
16-783SC	20, 67	782XBXCT	13
16-784C	24, 65	782XBXM4L	13
16-784C1	24, 65	782XDXH10	33, 34
16-784IDC	24, 67	782XDXH21	33, 34
16-784SC	24, 67	783XCX	17, 18
16-1332	28, 67	784XDX	21, 22
16-1342	16, 36, 67	788XBXR	29, 30
16-1344	28, 32, 67	788XCXR	29, 30
16-1351	28, 32, 40, 67	792XBX	4, 5
16-DCLIP-1	8, 12, 16, 20, 24, 28, 32, 36, 40	792XDX	4, 6
70-124-2	32, 42		
70-169-1	28, 40, 43		
70-170-1	28, 40, 43		
70-178-1	32, 44		
70-178-2	32, 44		
70-378-1	8, 36, 45		
70-379-1	8, 36, 45		
70-401-1	16, 47		
70-402-1	16, 47		
70-459-1	16, 41, 49		
70-461-1	8, 36, 41, 49		
70-463-1	32, 41, 49		
70-464-1	28, 40, 41, 51		
70-465-1	28, 40, 41, 51		
70-750DL8-1	28, 40, 41, 52		
70-750DL11-1	28, 40, 41, 52		
70-750E8-1	28, 40, 41, 53		
70-750E11-1	28, 40, 41, 53		
70-750EL8-1	28, 41, 55		
70-750EL11-1	28, 41, 55		
70-781D5R-1A	12, 41, 56		
70-781T-1	12, 56		
70-782D	8		