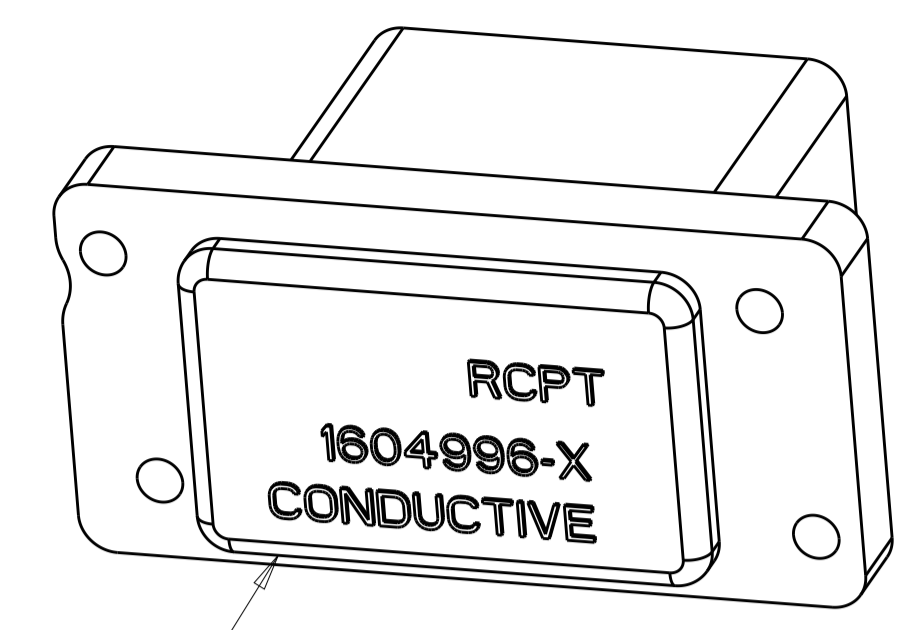
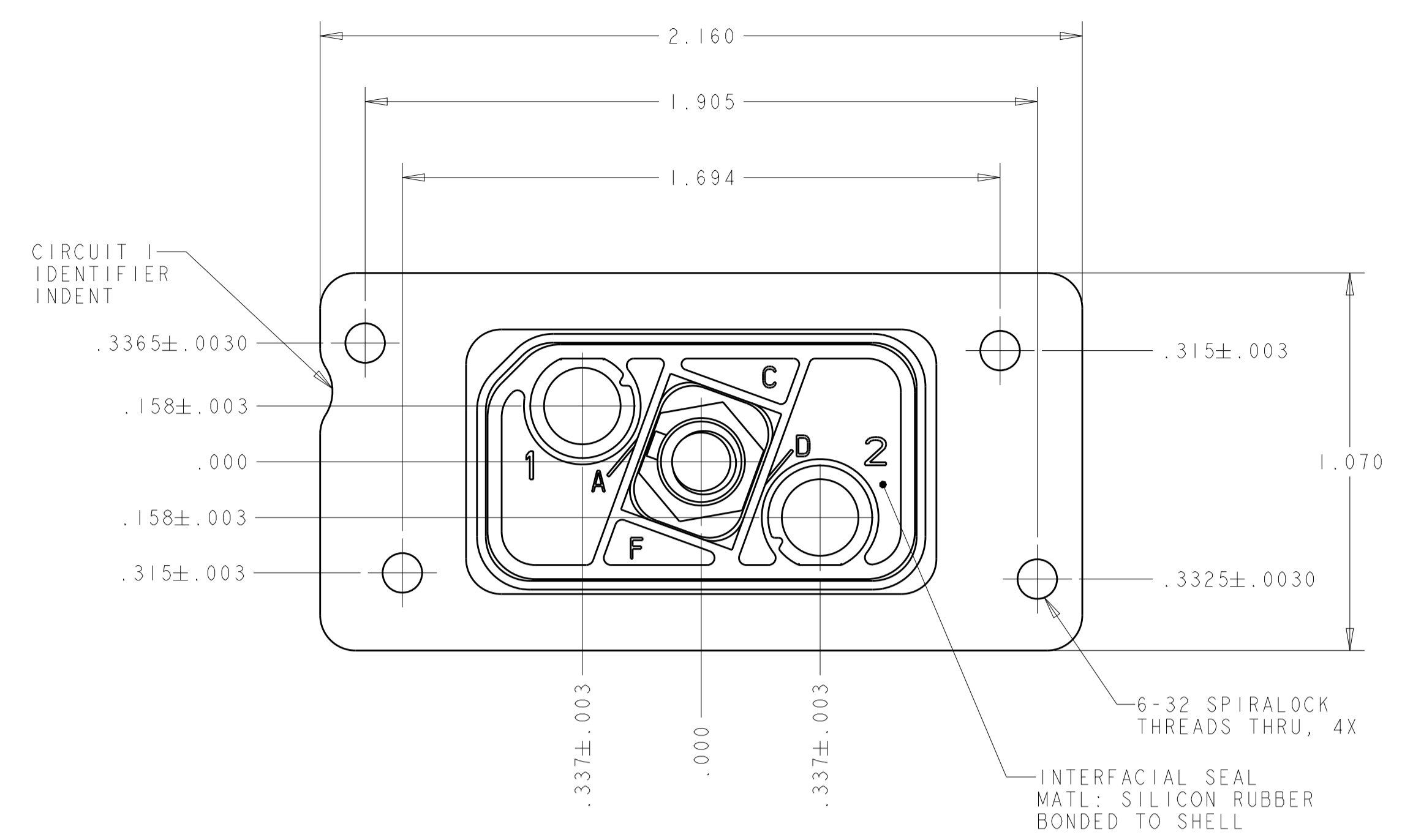


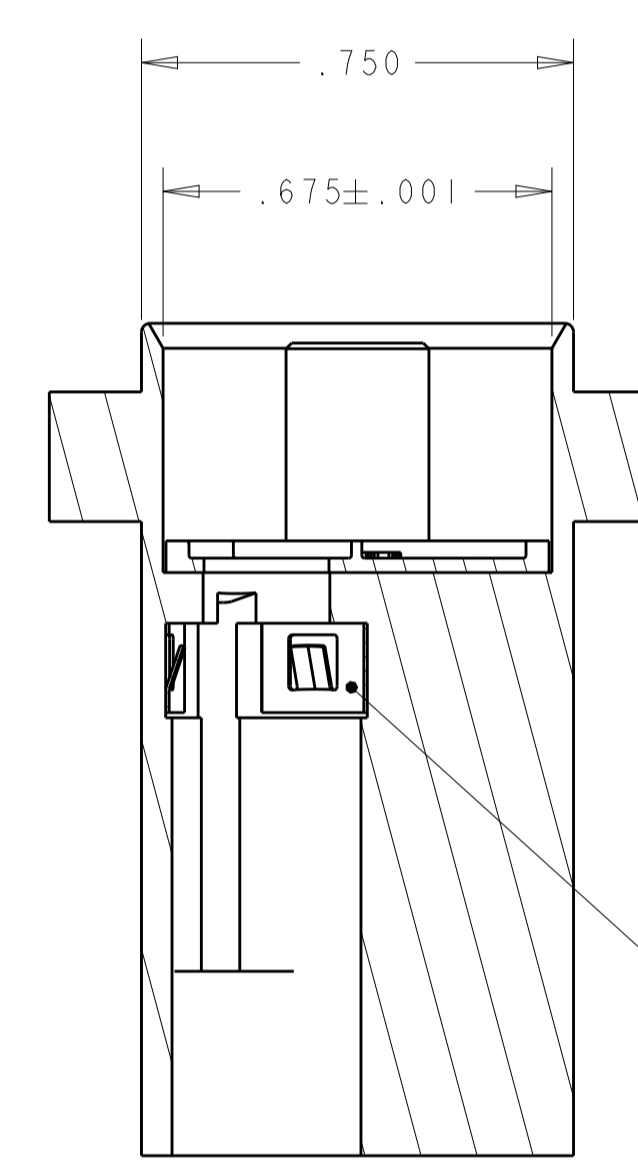
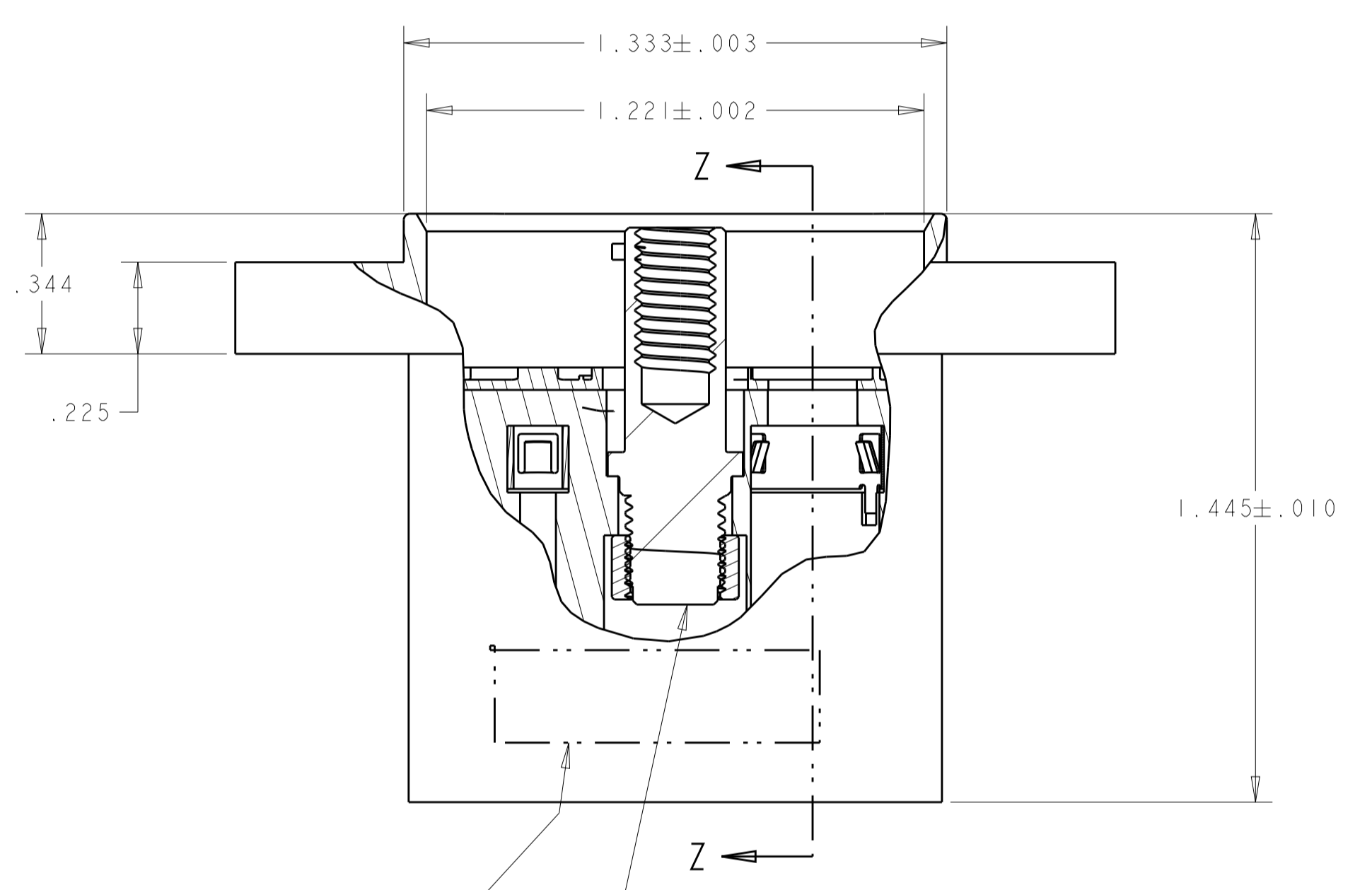
| LOC | | DIST | | REVISIONS | | | |
|-----|-----|-----------------------|--------|-----------|------|--|--|
| P | LTN | DESCRIPTION | DATE | DMN | APVD | | |
| E | | REV PER ECO 13-008491 | 6-3-13 | CT | DM | | |



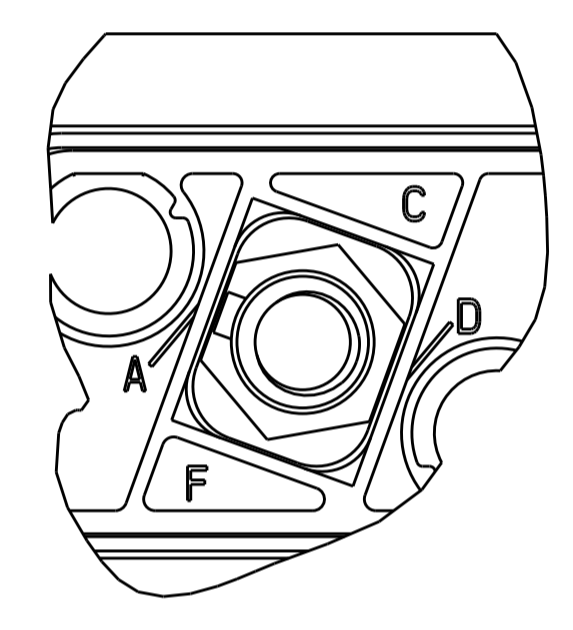
SCALE 2:1
 ESD DUST COVER; PART NUMBER 1604996-2 INCLUDED WITH ASSEMBLIES

SHOWN WITH DUST COVER

⚠ JACKPOST-RETENTION NUT KIT IS UNASSEMBLED TO CONNECTOR ASSY. KIT IS PACKAGED IN SEALED BAG.



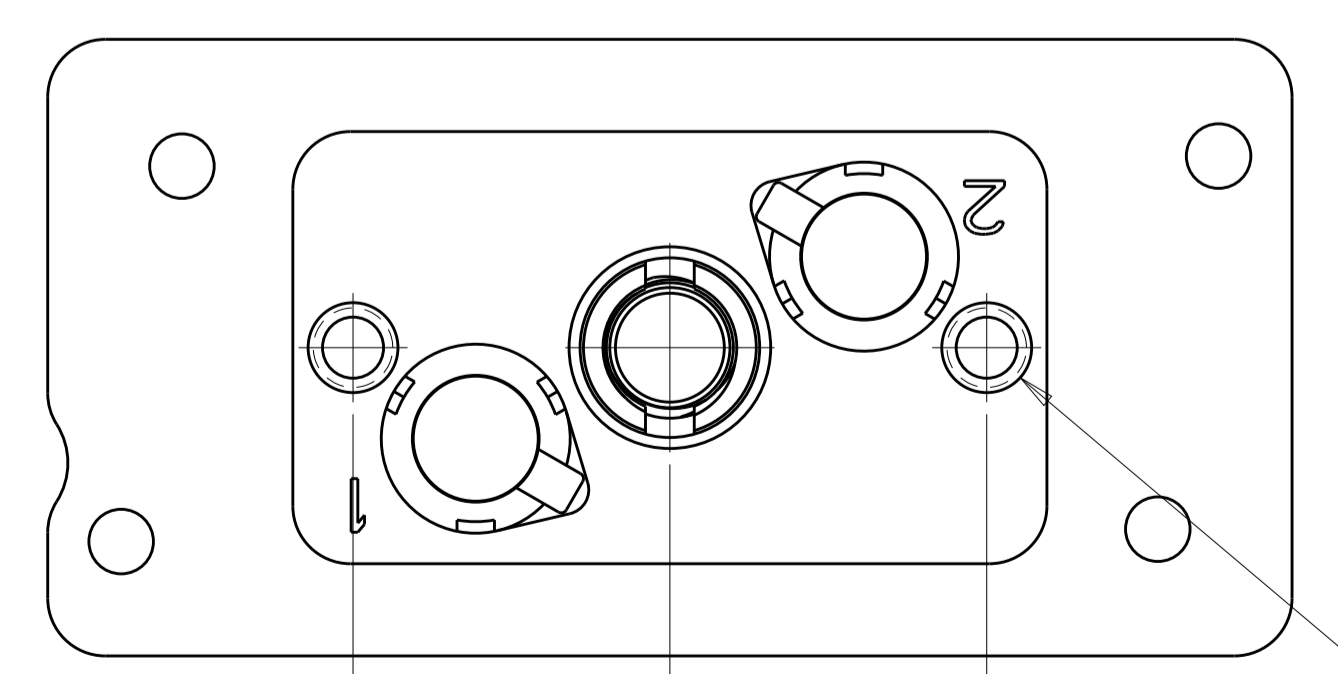
SECTION Z-Z



MARKING ON INTERFACIAL SEAL WILL ONLY SHOW A, C, D AND F (CODE A SHOWN FOR REFERENCE)

TE LOGO, DATE CODE AND EITHER CUSTOMER OR TE PART NUMBER (PER TABLE) MARKED APPROX AS SHOWN ON NEAR OR FAR SIDE

⚠ JACKPOST AND RETENTION NUT KIT, SEE DESCRIPTION



∅.156±.021
 6-32 ∅.63 SPIRALOCK THREADS, 2X (FOR ATTACHING BACKSHELL KIT 1604905-1)

| RECOMMENDED CONTACT WITH WIRE SEAL | CUSTOMER PART NUMBER | SHELL FINISH | DESCRIPTION | PART NO. |
|------------------------------------|----------------------|--------------------|---|-----------|
| 1445692-4 | BACC65BD2N | ELECTROLESS NICKEL | ⚠ WITH JACKPOST-RETENTION NUT KIT (FLAT PLZN) (NOT INSTALLED) INCLUDES DUST COVER | 1604897-8 |
| 1445692-3 | HWI20822-AK2A | ELECTROLESS NICKEL | JACKPOST ASSEMBLED PLZN CODE A | 1604897-7 |
| 1445692-4 | BACC65BD2NA | ELECTROLESS NICKEL | JACKPOST ASSEMBLED PLZN CODE A | 1604897-6 |
| 1445692-3 | --- | ELECTROLESS NICKEL | ⚠ WITH JACKPOST-RETENTION NUT KIT (FLAT PLZN) (NOT INSTALLED) INCLUDES DUST COVER | 1604897-5 |
| OBSELETE | 1445692-4 | BACC65BD2A | BLACK ANODIZED | 1604897-4 |
| SUPERSEDED BY 1604897-5 | 1445692-2 | --- | ⚠ WITH JACKPOST-RETENTION NUT KIT (FLAT PLZN) (NOT INSTALLED) INCLUDES DUST COVER | 1604897-2 |

OBSELETE
 SUPERSEDED BY 1604897-5

THIS DRAWING IS A CONTROLLED DOCUMENT. DWN: BJOHN 06JUN03
 CHK: W.H.BERNHART 16MAR04
 APVD: W.H.BERNHART 16MAR04

STE TE Connectivity

NAME: ASSEMBLY, RECEPTACLE, QUADRAX, PANEL MOUNT, RR/RR, 2 POSN

SIZE: A1 CAGE CODE: 1604897 DRAWING NO: 100779

SCALE: 3:1 SHEET: 1 OF 1 REV: E