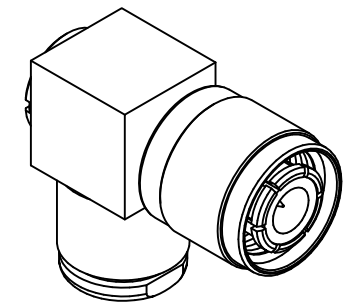
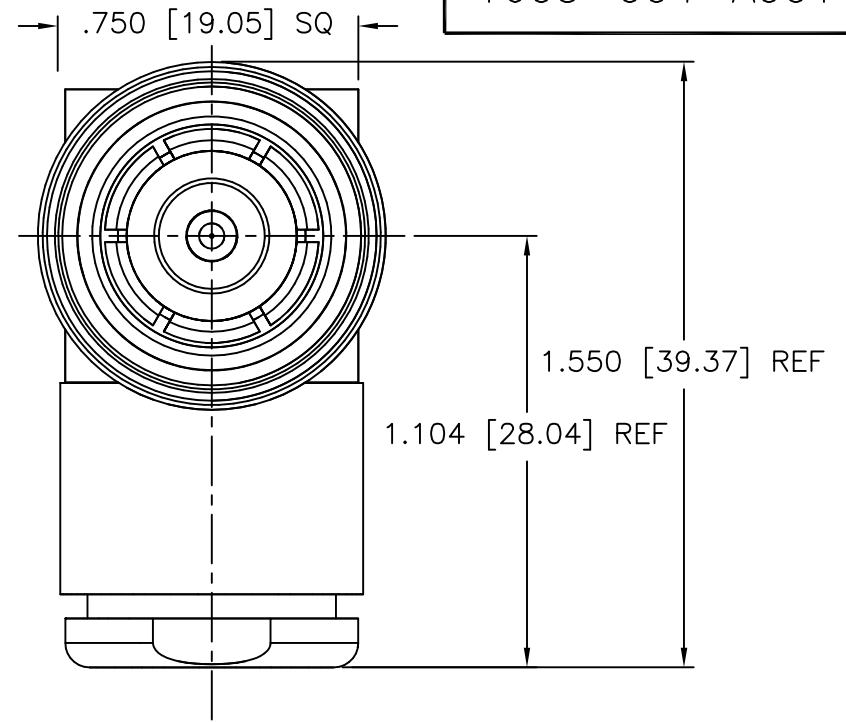
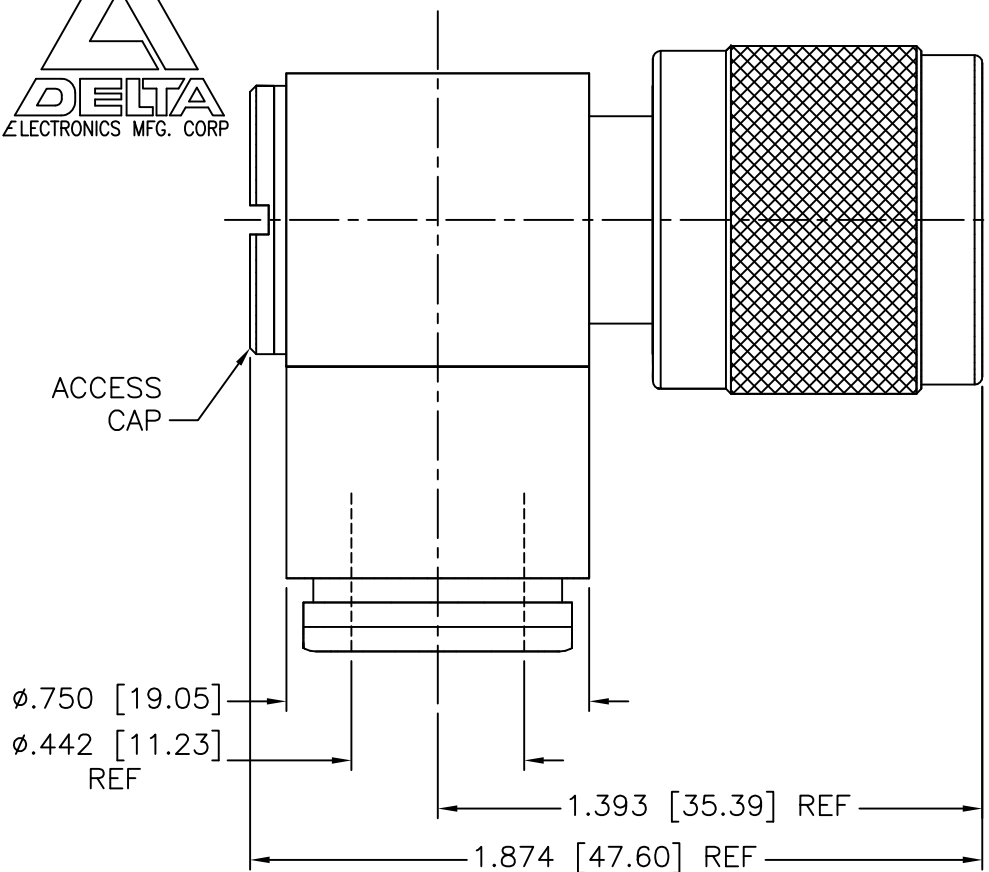




DIMENSIONS IN BRACKETS ARE IN MILLIMETERS AND ARE FOR REFERENCE ONLY.

1605-004-A001-2



ISOMETRIC VIEW

NOTES:

1. MATERIAL: LOCKING RING - PHOSPHOR BRONZE PER ASTM B139
INSULATOR - TEFLON PER ASTM D4894
GASKETS - SILICONE RUBBER PER A-A-59588
ALL OTHER METAL PARTS - BRASS PER ASTM B16
2. FINISHES: ALL METAL PARTS - SILVER PLATE PER ASTM B700 (200 MICROIN. MIN TH'K)
3. SEE C-06 IN DELTA CATALOG FOR CABLE ASSEMBLY INSTRUCTIONS.
4. ELECTRICAL DATA:
FREQUENCY: DC - 4 GHz
VOLTAGE RATING: WORKING: 3000 VRMS @ SEA-LEVEL / 1000 VRMS @ 50K FEET
IMPEDANCE: 50 OHMS NOMINAL
5. CONNECTOR DESIGNED IN ACCORDANCE WITH MIL-C-3643

UNLESS OTHERWISE SPECIFIED: TOLERANCES: 3 PLACES = ±.005, 2 PLACES = ±.02, ANGLES = ±1/2', SURFACE FINISH = 63

-	OUTLINE	1/5/10
ALT.	REVISIONS	DATE

DELTA ELECTRONICS MFG. CORP. Beverly, MA 01915				
TITLE: "HN" RIGHT ANGLE PLUG FOR RG-8, 9, & 214/U CABLES				
Drawn by BJM 1/5/10	Scale 2/1	Ckd. by MR	Engr Appd MR	FILE NAME: 1605004A001-002T

THESE DRAWINGS AND SPECIFICATIONS ARE THE PROPERTY OF DELTA ELECTRONICS MFG CORP. AND SHALL NOT BE REPRODUCED, OR COPIED OR USED AS THE BASIS FOR THE MANUFACTURE OR SALE OF APPARATUS OR DEVICES WITHOUT THEIR EXPRESS WRITTEN CONSENT.

CODE IDENT.-00795

1605-004-A001-2