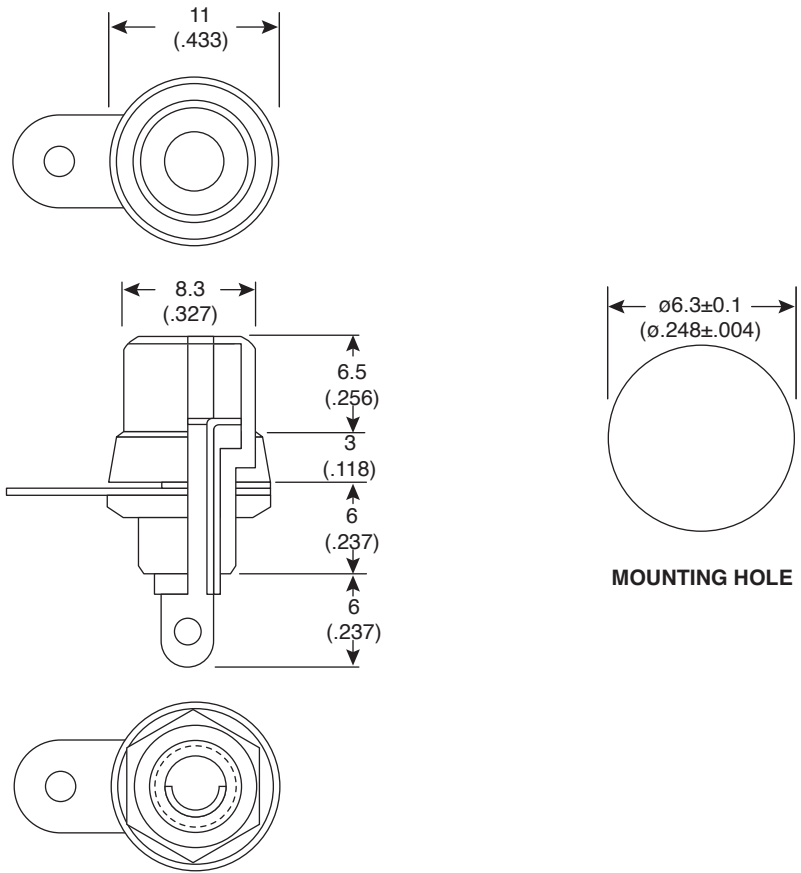


# RCA Jacks



161-0251-EX, 161-0252-EX, 161-0253-EX, 161-0254-EX

RCA Jacks



MOUNTING HOLE

Dimensions: mm (In)

MATERIALS	
Contact:	Nickel Plated Brass
Body:	Nickel Plated Brass
Insulator A, Insulator B:	ABS
RoHS Compliant by Exemption	

MOUSER STOCK NO.	Color
161-0251-EX	Red
161-0252-EX	Black
161-0253-EX	White
161-0254-EX	Yellow

161-0251-EX, 161-0252-EX, 161-0253-EX, 161-0254-EX

Date Last Revised: 12-9-05

Available from Mouser Electronics  
 1-800-346-6873  
 www.mouser.com

KC-300917

Specifications are subject to change without notice. No liability or warranty implied by this information. Environmental compliance based on producer documentation.