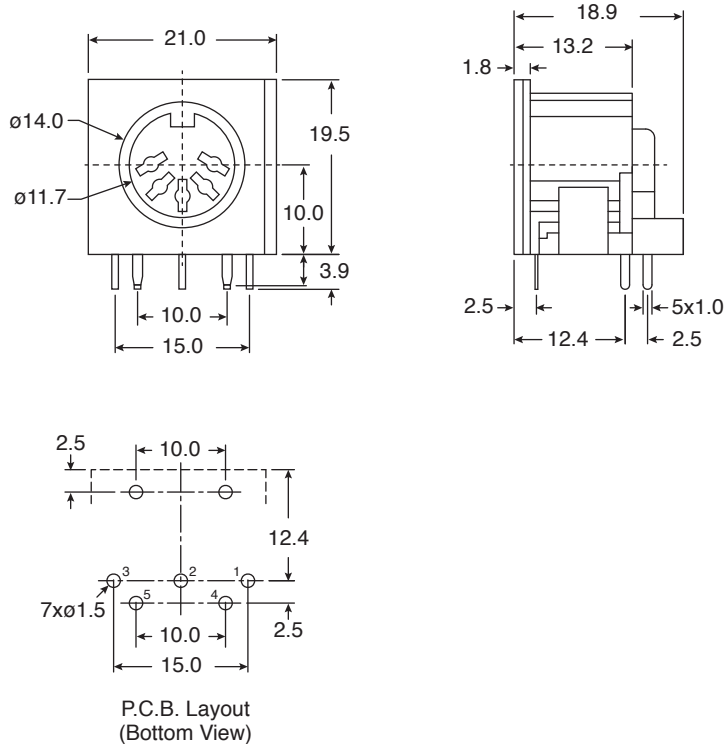


# 5 Pin PCB DIN Connector

161-0504-28A-E



5 Pin PCB DIN Connector



DIMENSIONS: mm

## MATERIAL SPECIFICATIONS

No.	Description	Qty.	Material	Plated	Remark
1	Contact	5	H62	Tin	-
2	Sleeve	1	H62	Tin	-
3	Housing	1	PBT-94V0	-	Black
4	Cover	1	PBT-94V0	-	Black
RoHS Compliant					

Date Last Revised: 03/11/15

Available from Mouser Electronics  
1-800-346-6873 / [www.mouser.com](http://www.mouser.com)

KC-301439

Specifications are subject to change without notice. No liability or warranty implied by this information. Environmental compliance based on producer documentation.

161-0504-28A-E