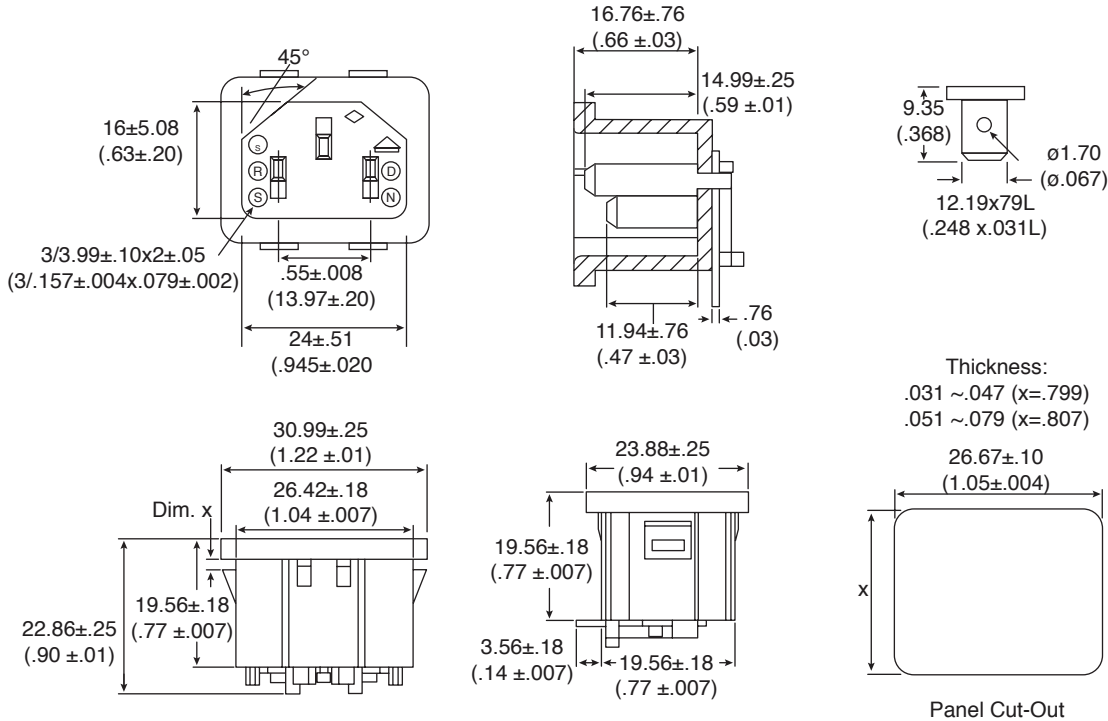
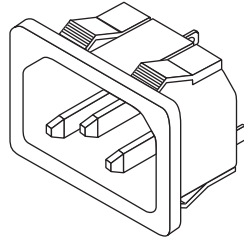


Power Inlet

161-0711-250-E



Power Inlet



Dimensions: mm (in.)

MATERIALS

Housing:	Thermoplastic, nylon 6
Terminal:	Copper alloy, tin plated
Color:	Black

ELECTRICAL SPECIFICATIONS

Insulation Resistance:	>100MΩ @ 500VDC
Dielectric Strength:	>2000VAC (between terminals 1 minute @ 0.5mA)
Operating Temperature:	-25°C to +85°C (Max.)
Pull Force of Terminal:	60N (6.12kg)
Rating:	15A / 250VAC North America, 10A / 250VAC Europe
RoHS Compliant	

Date Last Revised: 03/21/07

Available from Mouser Electronics
 1-800-346-6873 / www.mouser.com

KC- 301136

Specifications are subject to change without notice. No liability or warranty implied by this information. Environmental compliance based on producer documentation.

161-0711-250-E