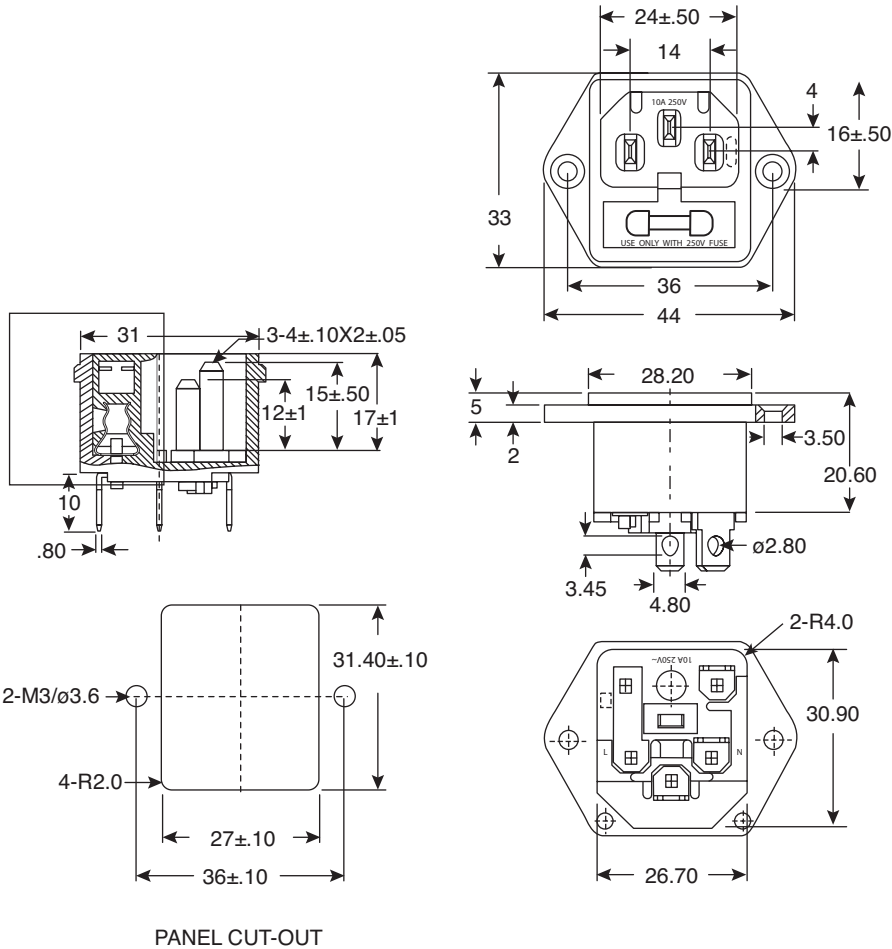


AC Power Inlet

161-0717-187-E



AC Power Inlet



DIMENSIONS: mm

SPECIFICATIONS	
Type:	Screw in mount w/miniature fuse holder
Housing:	Thermoplastic
Terminal:	Tin plated copper alloy, .187" faston/solder tab
Rating:	10A / 250VAC
Insulation Resistance:	Over 100MΩ @ 500VDC
Dielectric Strength:	2000VAC for 1 Min.
Fuse:	ø5x20mm 250VAC 6.3A max.
RoHS Compliant	

Date Last Revised: 1-9-19

Available from Mouser Electronics
1-800-346-6873 / www.mouser.com

KC-301138

161-0717-187-E