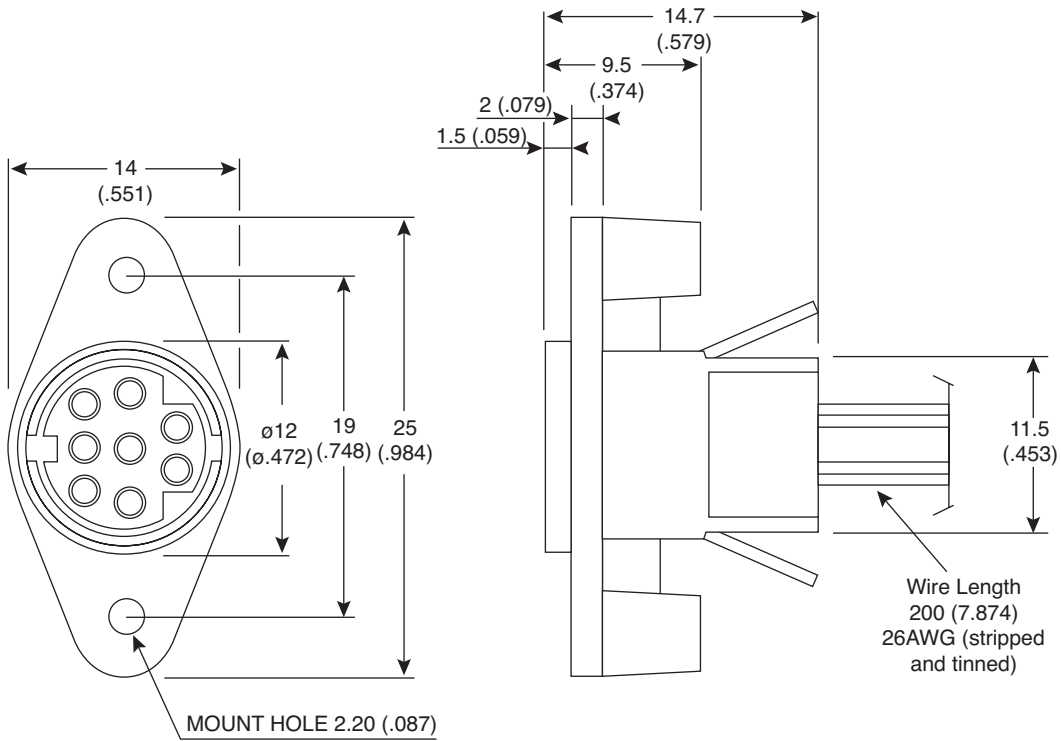


# DIN Connector

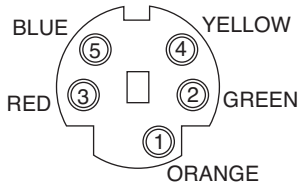
161-2105, 161-2106, 161-2108



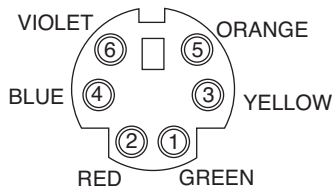
DIN Connector



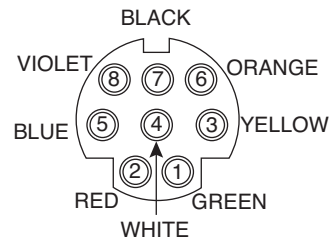
TOL = 0.1mm (.004)



161-2105



161-2106



161-2108

**Dimensions: mm (In.)**

SPECIFICATIONS	
<b>Connector:</b>	Tin plated brass
<b>Earth Terminal:</b>	Nickel plated brass
<b>Body:</b>	PBT + 15%GF
<b>Finish:</b>	Flat black

Date Last Revised: 3-21-06

Available from Mouser Electronics  
 1-800-346-6873  
 www.mouser.com

KC- 300078

161-2105, 161-2106, 161-2108