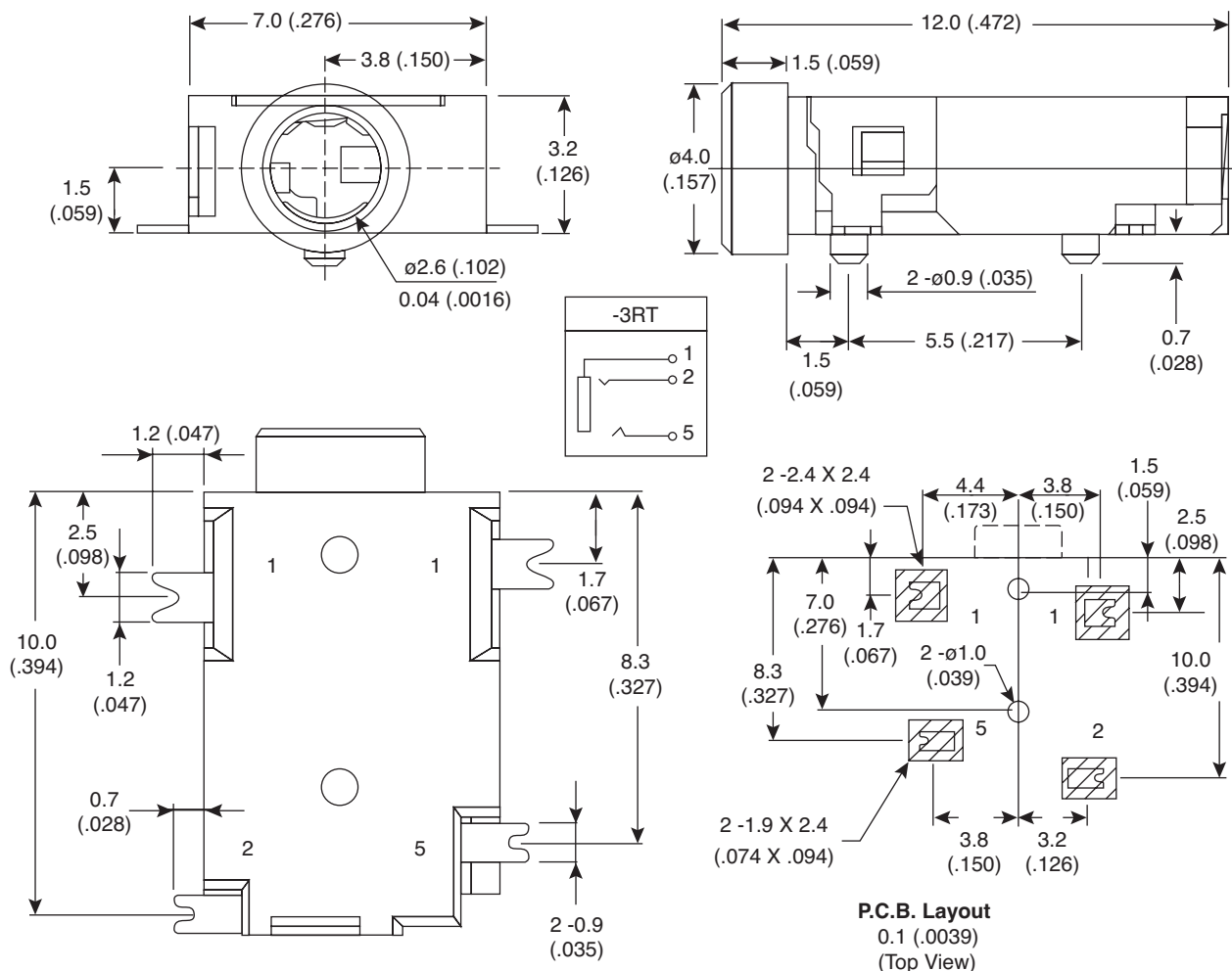


SMD Phone Jack

161-2622



SMD Phone Jack



| SPECIFICATIONS | |
|-------------------------------|---------------------|
| Voltage rating: | 16 VDC |
| Current Rating: | 0.3 A |
| Contact resistance: | 50 m ohm maximum |
| Insulation resistance: | 100 M ohm minimum |
| Dielectric strength: | 500 VAC for 1 min. |
| Durability: | 5000 cycles |
| Insertion Force: | 0.2Kg to 2.0Kg |
| Life cycle: | 260°C for 5 seconds |
| Operating temperature: | -25°C to +85°C |

| TOLERANCE | |
|-------------|-------|
| X. | ±0.5 |
| X.X | ±0.3 |
| X.XX | ±0.15 |

| MATERIALS | |
|------------------|---------------------|
| Contacts: | Phosphor bronze |
| Housing: | Nylon-46 G30% black |
| Plating: | Gold flash |

Date Last Revised: 6/26/12

Available from Mouser Electronics
1-800-346-6873
www.mouser.com

KC-300406

161-2622