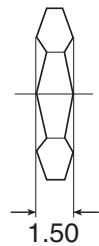
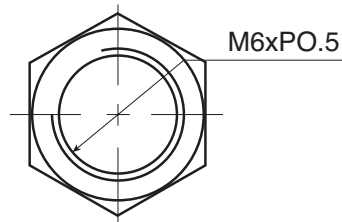
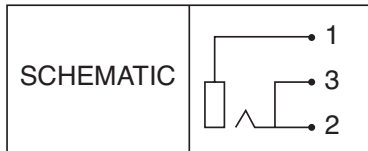
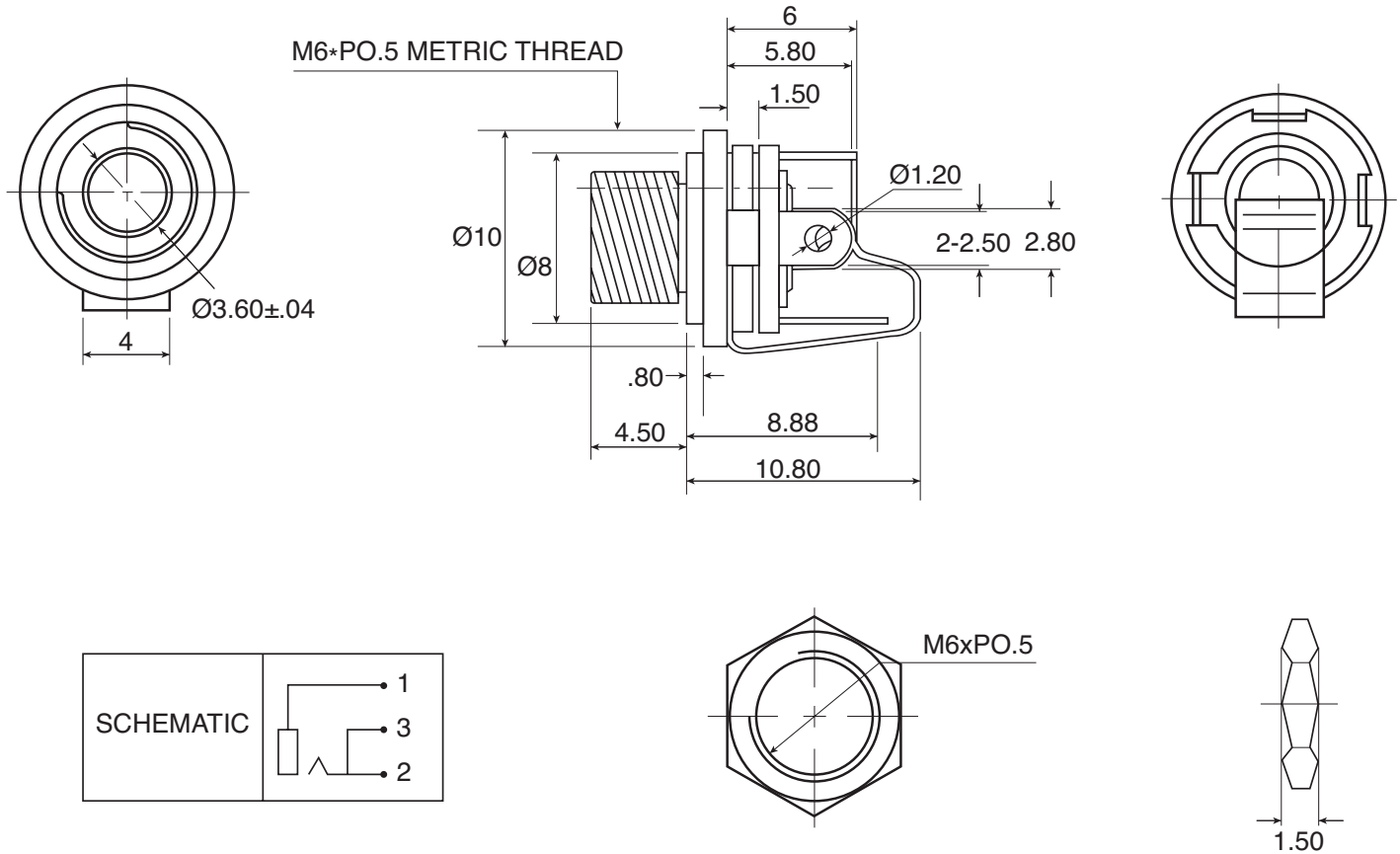


DIMENSIONS: mm



SPECIFICATIONS

Contact Resistance:	30m Ω max.
Insulation Resistance:	100M Ω @DC 500V
Withstand Voltage:	AC 500V for one min.

Note: RoHS Compliant