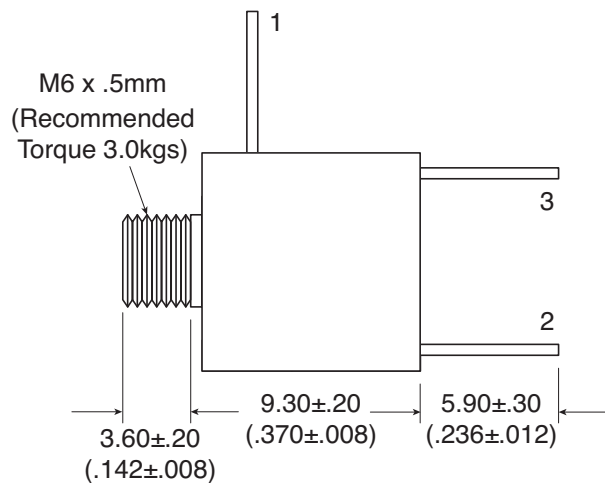
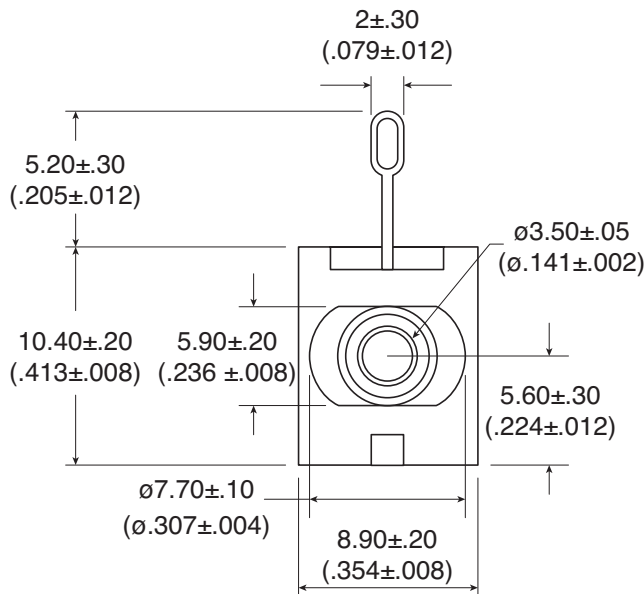
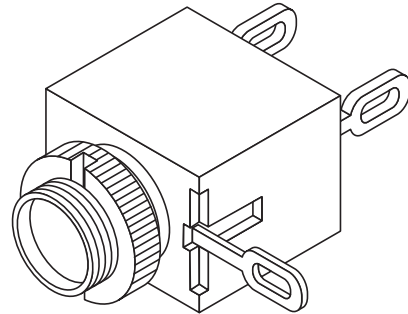
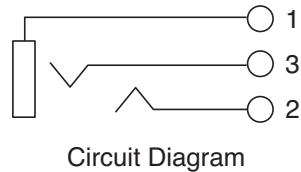


**DIMENSIONS: mm (in.)**



**Specifications:**

- Type : 3.5mm Stereo, Open Circuit, Chassis Mount
- Contact Resistance : 30mΩ max.
- Insulation Resistance : 100MΩ @ 500VDC
- Soldering Temperature : 210°C max. for 3~5 seconds
- Withstand Voltage : 500VAC for 1 Minute
- Life Test : 5,000 Cycles
- Housing : Polyoymethylene
- Ring, Tip Terminals : Silver Plated Phosphor Bronze
- Earth Terminal : Silver Plated Brass
- Barrel : Nickel Plated Brass
- Color : Black
- Hardware Included : Knurled Nut

**Note:** RoHS Compliant

**Available from Mouser Electronics**  
**1-800-346-6873 / www.mouser.com**

KC-301503