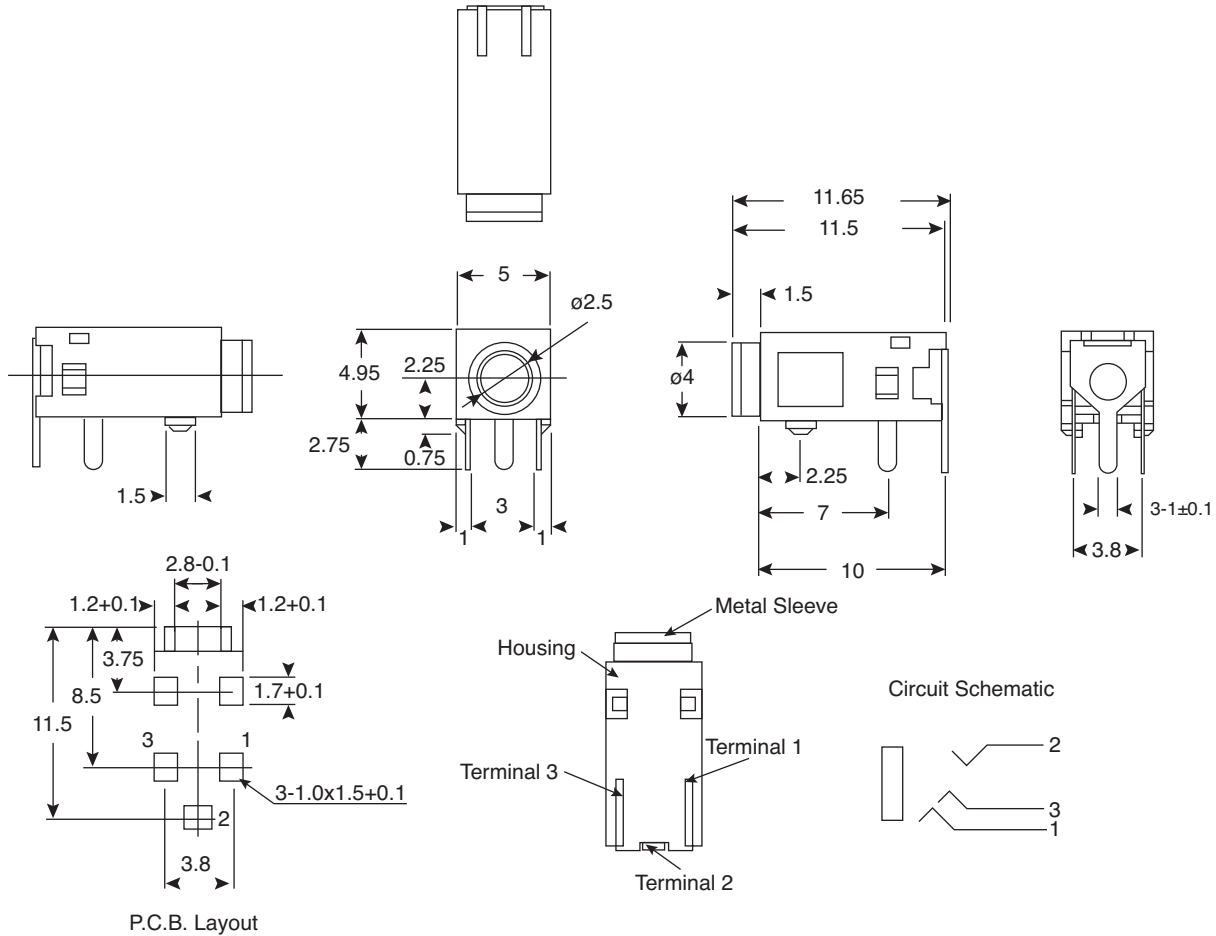


2.5mm Stereo Jack

161-348A0-EX



2.5mm Stereo Jack



Dimensions: mm

MATERIAL SPECIFICATIONS	
Metal Sleeve:	Brass Nickel Plated
Housing:	PBT-G15%
Terminal R:	FAB t=0.2 Sn-Pb
Terminal T:	FAB t=0.3 Sn-Pb
Terminal S:	FAB t=0.2 Sn-Pb
RoHS Compliant by Exemption	

ELECTRICAL SPECIFICATIONS	
Dielectric Strength:	500VAC for one min.
Insulation Resistance:	100MΩ min. @100VDC
Contact Resistance:	50mΩ Max

Date Last Revised: 11/17/08

Available from Mouser Electronics
1-800-346-6873 / www.mouser.com

KC-301254

Specifications are subject to change without notice. No liability or warranty implied by this information. Environmental compliance based on producer documentation.

161-348A0-EX