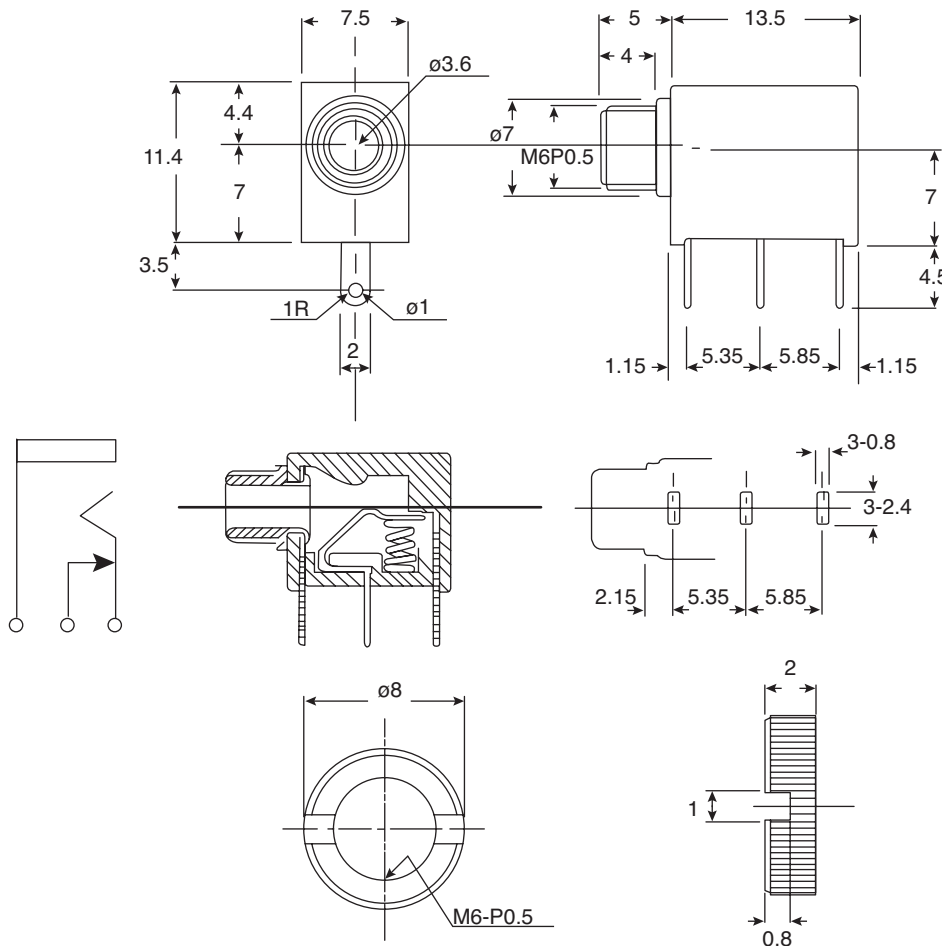


Phone Jack Mono 3.5mm



161-3520-EX

Mono Phone Jack 3.5mm



Dimensions: mm.

| ELECTRICAL SPECIFICATIONS | |
|-----------------------------|----------------------------|
| Insulation | 100 Megaohm min. @250 VDC. |
| Dielectric Strength | 250 VAC for one minute |
| Contact Resistance | 20 milliohm Max. |
| Life Cycle | 10,000 cycles min. |
| RoHS Compliant by exemption | |

Date Last Revised: 5-16-12

Available from Mouser Electronics
1-800-346-6873 / www.mouser.com

KC-301281

Specifications are subject to change without notice. No liability or warranty implied by this information. Environmental compliance based on producer documentation.

161-3520-EX