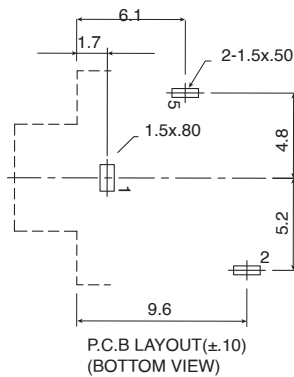
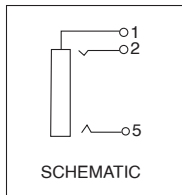
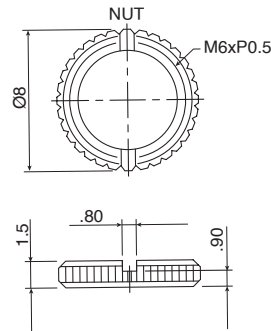
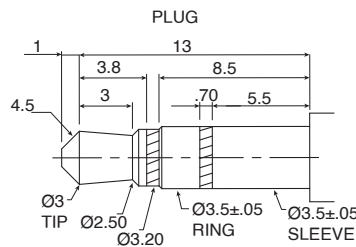
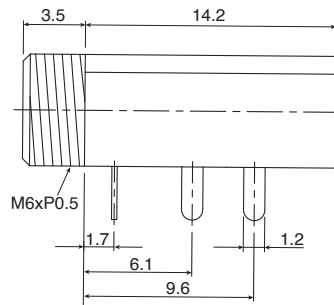
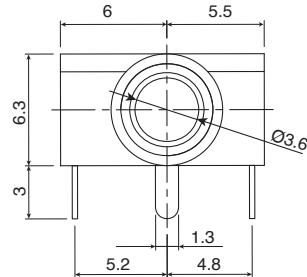


**DIMENSIONS: mm**



**Materials :**

|                          |
|--------------------------|
| NUT : BRASS & NICKEL     |
| COVER : PC, TRANSPARENT  |
| HOUSING : PBT, BLACK     |
| BUSHING : BRASS & NICKEL |

**Note:** RoHS Compliant by Exemption

**Available from Mouser Electronics**  
**1-800-346-6873 / www.mouser.com**