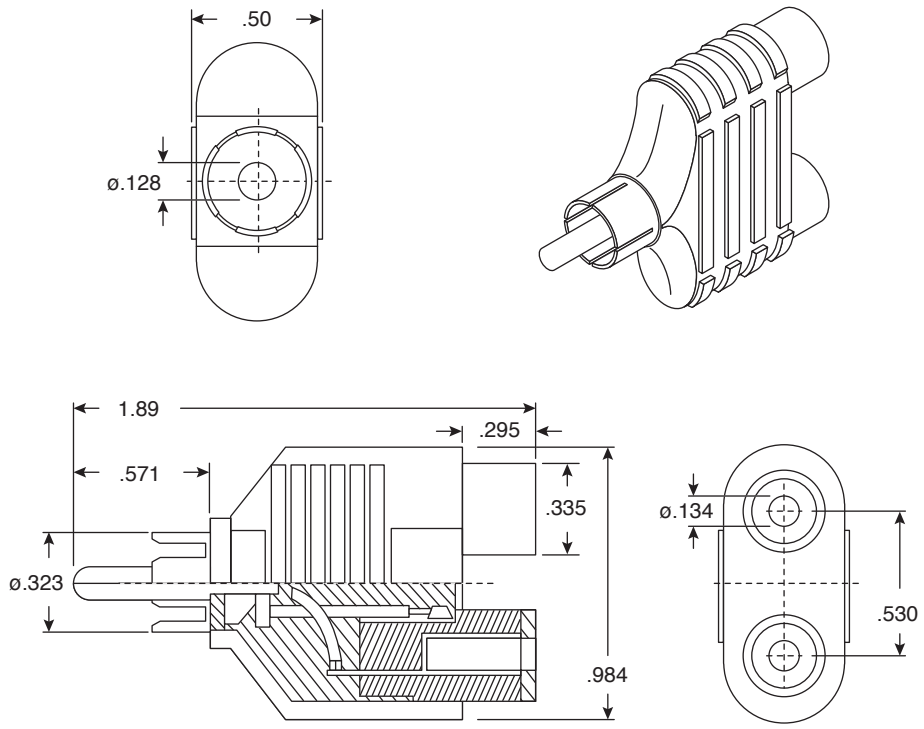


# Phono Y-Adaptor

161-4200-EX



Phono Y-Adaptor



Dimensions: In.

SPECIFICATIONS	
Type:	Phono adapter 1 plug to 2 jacks
Body Material:	PVC plastic
Contact Material:	Nickel plated brass
Insulation Material:	ABS plastic
Insulation Resistance:	100M $\Omega$ (min.)
Contact Resistance:	30m $\Omega$ (max.)
Breakdown Voltage:	500VAC for 1 minute
RoHS Compliant by Exemption	

Date Last Revised: 12-09-05

Available from Mouser Electronics  
 1-800-346-6873  
[www.mouser.com](http://www.mouser.com)

KC-300959

161-4200-EX

Specifications are subject to change without notice. No liability or warranty implied by this information. Environmental compliance based on producer documentation.