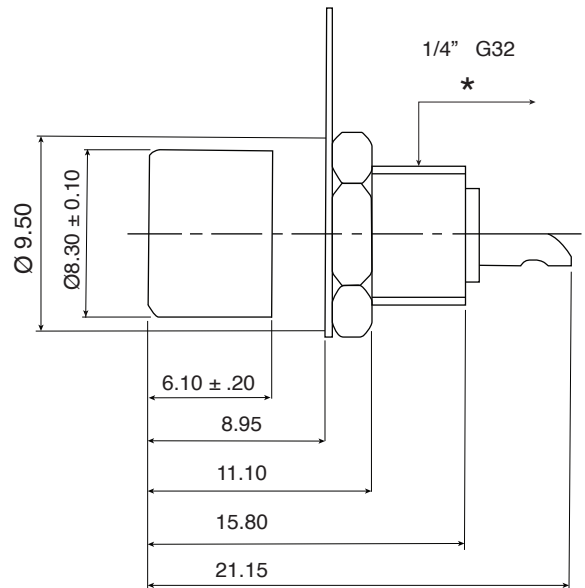
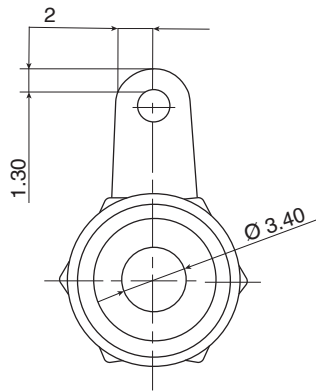
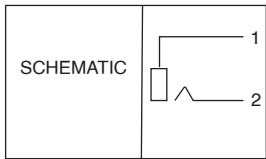
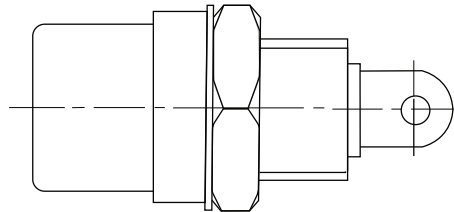


Date Last Revised: 9/27/21

Dimensions : mm



SPECIFICATIONS:

- Contact Resistance : 30mΩ max
- Insulation Resistance : 100MΩ min.at DC500V
- Dielectric Withstand Voltage : AC 500V for one minute

Mouser Stock No.	Color
161-6071G-L	Black
161-6073W-L	White

Note : RoHS Compliant

Available from Mouser Electronics
1-800-346-6873 / www.mouser.com

KC-301508